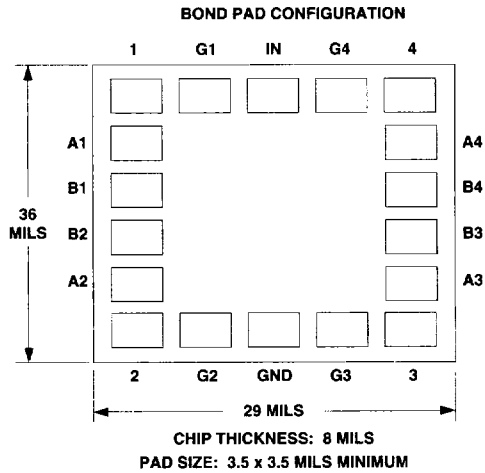
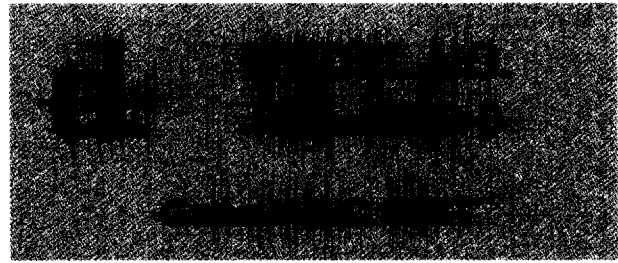


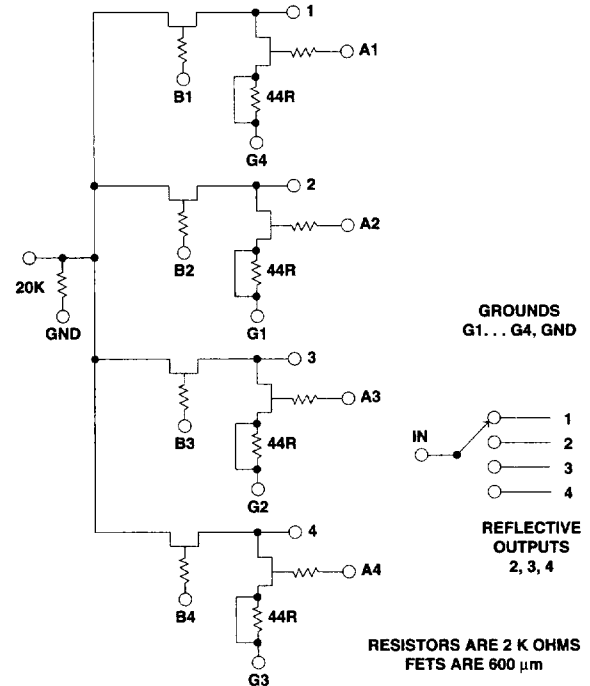
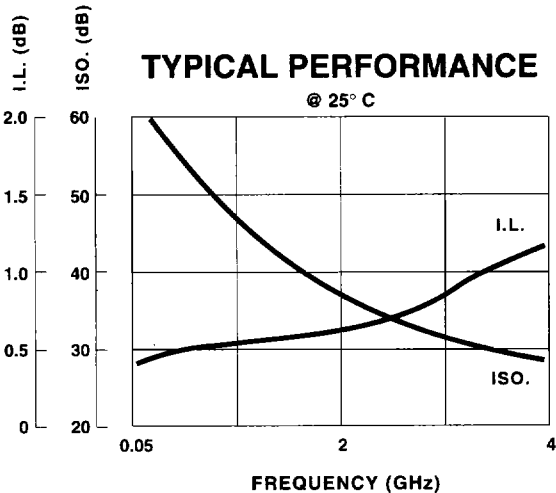
## FEATURES

- DC - 4 GHz Frequency Range
- 5 nSec Switching Speed
- Low Insertion Loss
- Ultra Low DC Power Consumption
- Small Chip Size .029 x .036
- Reflective
- Plastic Package Available-P/N P35-4250-3



LOGIC TABLE											
CONTROL PAD VOLTAGE (V)								PATH FROM "IN" TO			
A1	B1	A2	B2	A3	B3	A4	B4	1	2	3	4
-5	0	0	-5	0	-5	0	-5	ON	OFF	OFF	OFF
0	-5	-5	0	0	-5	0	-5	OFF	ON	OFF	OFF
0	-5	0	-5	-5	0	0	-5	OFF	OFF	ON	OFF
0	-5	0	-5	0	-5	-5	0	OFF	OFF	OFF	ON

'ON' = LOW LOSS STATE 'OFF' = ISOLATED STATE



**MMIC**

## GUARANTEED PERFORMANCE

@ 25° C

PARAMETER	MIN	TYP	MAX	UNITS	CONDITIONS
OPERATING FREQUENCY	DC		4	GHz	
CONTROL VOLTAGE					SEE LOGIC TABLE
INSERTION LOSS		0.6 0.6 1.1	0.7 0.8 1.2	dB dB dB	DC TO 1 GHz 1 - 2 GHz 2 - 4 GHz
ISOLATION	45 37 27	48 40 30		dB dB dB	DC TO 1 GHz 1 - 2 GHz 2 - 4 GHz
VSWR		1.22/1 1.50/1 1.92/1			DC TO 1 GHz 1 - 2 GHz 2 - 4 GHz
IMPEDANCE		50		OHMS	
SWITCHING SPEED		5		nSEC	50% CONTROL TO 10% / 90% RF
RF POWER:	D/-8V CONTROL	+21 +30		dBm dBm	1.0 dB COMP. @ 50 MHz 1.0 dB COMP. ABOVE 100 MHz