

4

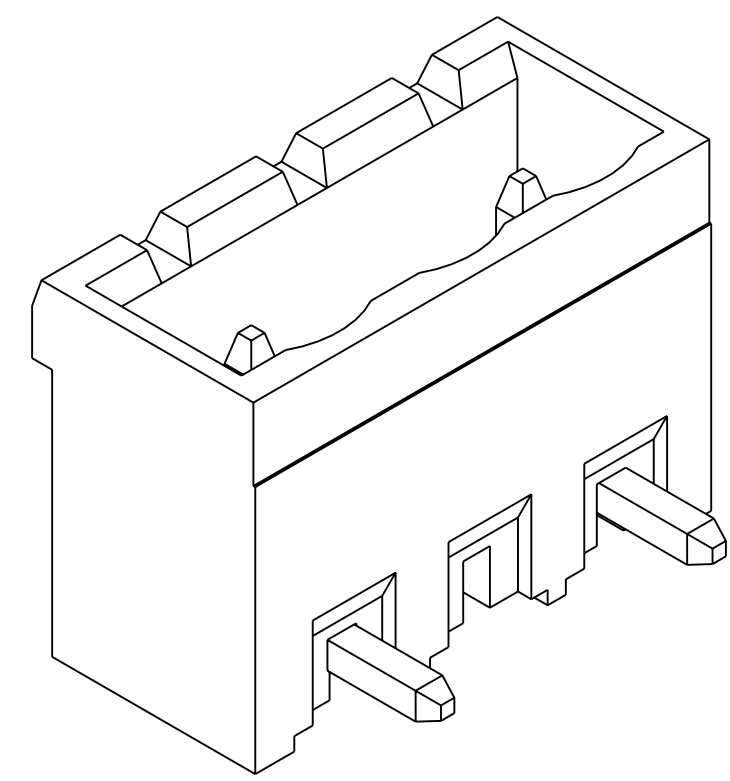
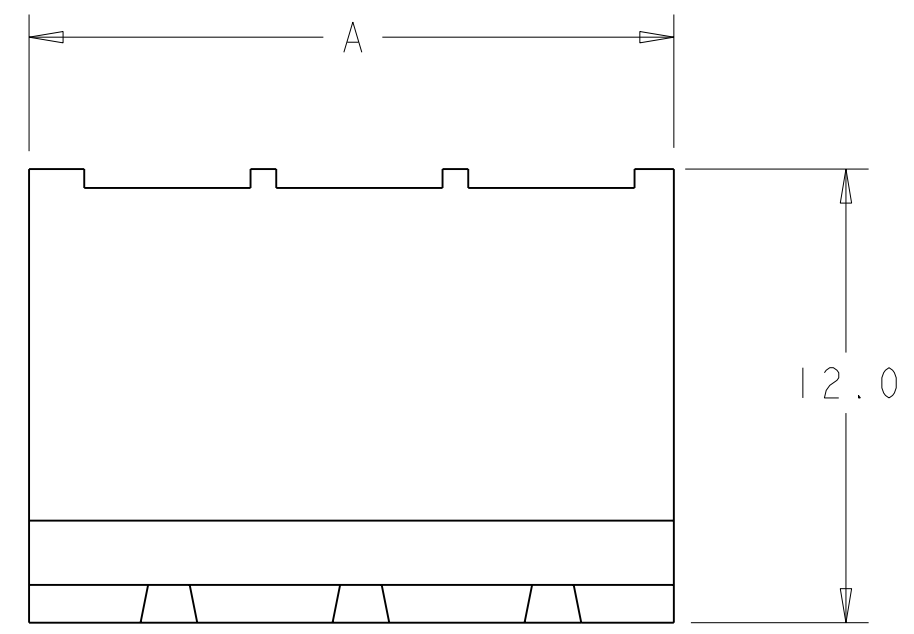
3

2

1

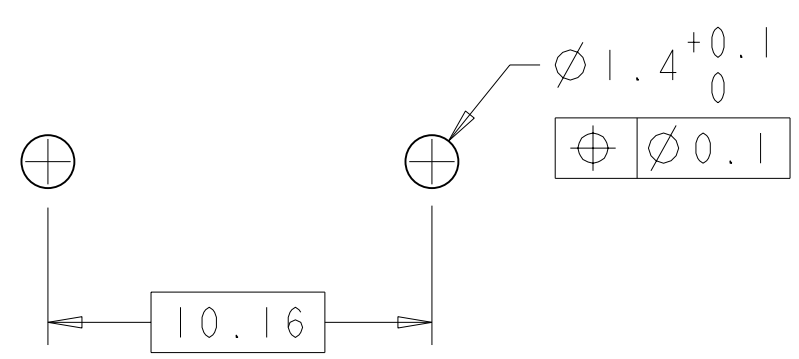
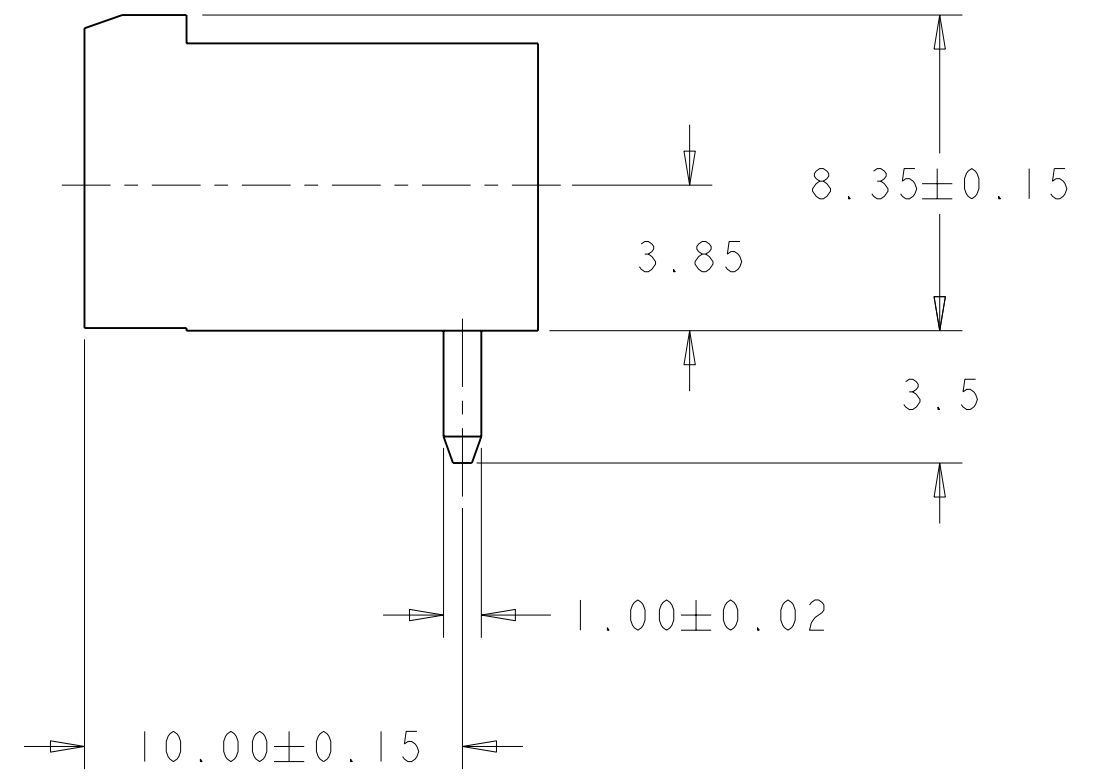
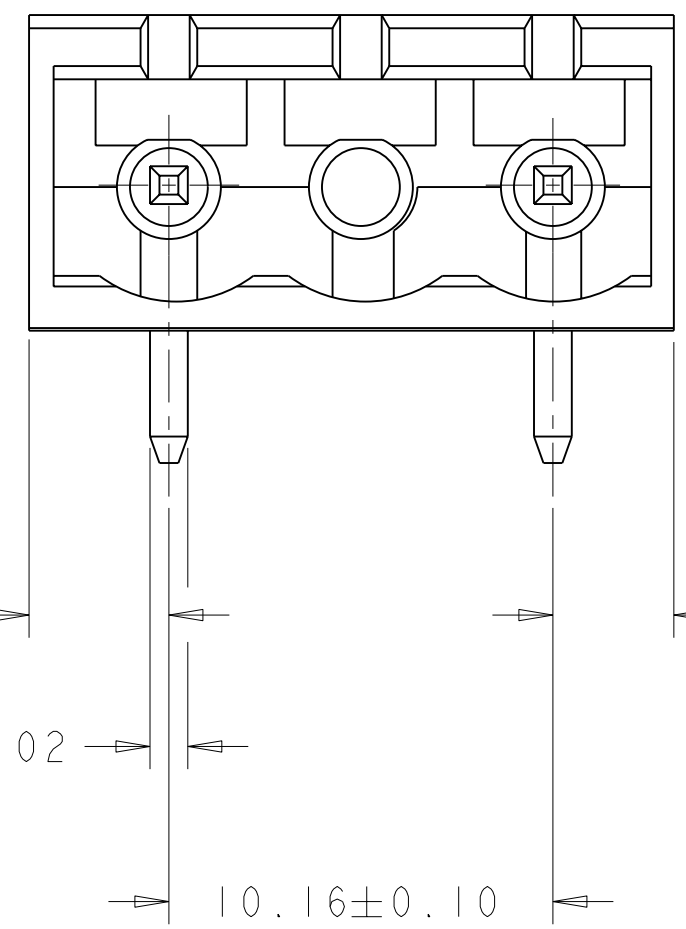
THIS DRAWING IS UNPUBLISHED. RELEASED FOR PUBLICATION 20
 © COPYRIGHT 20 BY TYCO ELECTRONICS CORPORATION. ALL RIGHTS RESERVED.

LOC		DIST		REVISIONS			
P	LTR	DESCRIPTION	DATE	DWN	APVD		
	0	RELEASED EC 0G3B-0612-04	12JUL2005	SW	CR		



- ⚠ MATERIALS AND FINISH
 HOUSING: HIGH TEMPERATURE POLYAMIDE, UL 94V-0 RATED,
 COLOR: BLACK.
 TERMINAL: PHOSPHOR BRONZE, TIN PLATED.
- SUITABLE FOR 1,6-2,4mm PC BOARD THICKNESS.
 - RECOGNIZED UNDER THE COMPONENT PROGRAM OF UNDERWRITERS LABORATORIES INC. FILE N° E60677.
 - IMQ CERTIFICATE WITH SURVEILLANCE IN CONFORMITY WITH IEC 998-1/998-2-1.

1776163-2 AS SHOWN



RECOMMENDED PC BOARD LAYOUT

37.38	4	1776163-4
27.22	3	1776163-3
17.06	2	1776163-2
A	NO OF POSN	PART NUMBER

THIS DRAWING IS A CONTROLLED DOCUMENT FOR TYCO ELECTRONICS CORPORATION. IT IS SUBJECT TO CHANGE AND THE CONTROLLING ENGINEERING ORGANIZATION SHOULD BE CONTACTED FOR THE LATEST REVISION.		DWN S. WELDON 12JUL2005	Tyco Electronics Harrisburg, PA 17105-3608	
DIMENSIONS: mm		CHK C. RICHARD 12JUL2005	NAME TERMINAL BLOCK HEADER ASSEMBLY, 90 DEGREE, CLOSED ENDS, 10.16mm PITCH	
TOLERANCES UNLESS OTHERWISE SPECIFIED:		APVD C. RICHARD 12JUL2005	RESTRICTED TO	
0 PLC ±.2	1 PLC ±.25	PRODUCT SPEC 108-20166	SIZE A2	CAGE CODE 00779
2 PLC ±.25	3 PLC ±.	APPLICATION SPEC 114-20079	DRAWING NO C=1776163	REV 0
4 PLC ±.	ANGLES ±2	MATERIAL	SCALE 3:1	SHEET 1 OF 1
FINISH		CUSTOMER DRAWING		