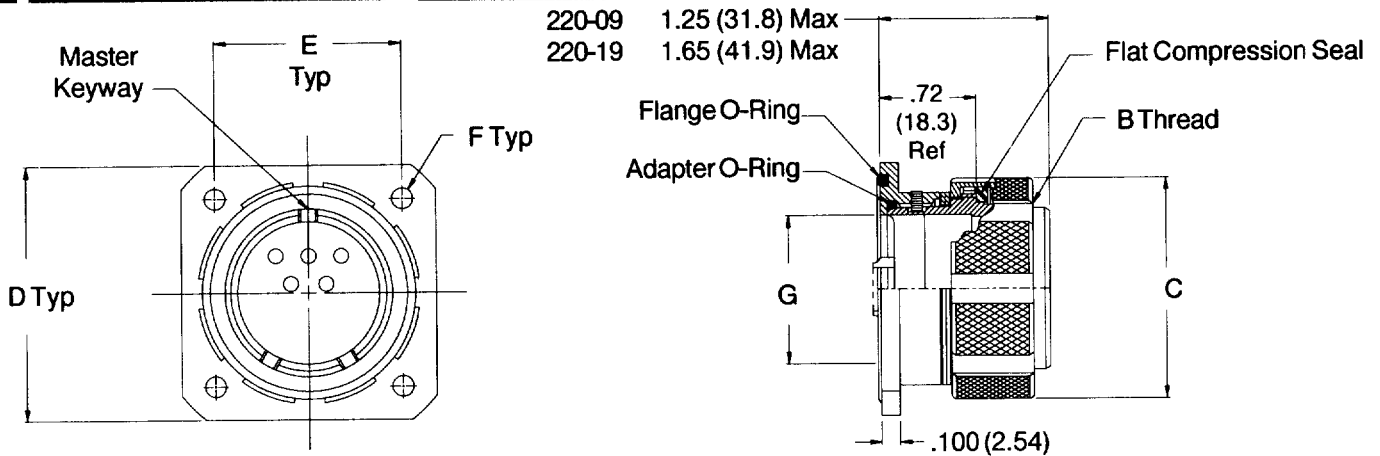


Geo-Marine® Connectors 220-09 and 220-19 Flange Mount Plug



220-09 1.25 (31.8) Max
220-19 1.65 (41.9) Max

220-09 E 24-61 P N

Series No. _____
Shell Style _____
 09 = Standard
 19 = Scoop Proof
Class _____
 E = Environmental

Polarization
(N, 1, 2, 3, 4)
P = Pins
S = Sockets

Insert Arrangement _____
Shell Size _____

Metric dimensions (mm) are indicated in parentheses.

DIMENSIONS

SHELL SIZE	B THREAD CLASS 2B	C DIA MAX	D DIM	E DIM	F DIA	MTG SCREW REF.	G PANEL CUTOUT
10	.750 - .1P - .1L	1.000 (25.4)	1.09 (27.7)	.844 (21.4)	.125 (3.2)	No. 4	.625 (15.9)
12	.875 - .1P - .1L	1.125 (28.6)	1.19 (30.2)	.938 (23.8)	.125 (3.2)	No. 4	.750 (19.1)
14	1.000 - .1P - .1L	1.250 (31.8)	1.25 (31.8)	1.000 (25.4)	.125 (3.2)	No. 4	.875 (22.2)
16	1.125 - .1P - .1L	1.375 (34.9)	1.34 (34.0)	1.094 (27.8)	.125 (3.2)	No. 4	1.000 (25.4)
18	1.250 - .1P - .1L	1.594 (40.5)	1.44 (36.6)	1.188 (30.2)	.125 (3.2)	No. 4	1.125 (28.6)
20	1.375 - .1P - .1L	1.719 (43.7)	1.55 (39.4)	1.281 (32.5)	.125 (3.2)	No. 4	1.250 (31.8)
22	1.500 - .1P - .1L	1.844 (46.8)	1.72 (43.7)	1.375 (34.9)	.125 (3.2)	No. 4	1.375 (34.9)
24	1.625 - .1P - .1L	1.969 (50.0)	1.85 (47.0)	1.500 (38.1)	.156 (4.0)	No. 6	1.500 (38.1)

REPLACEMENT PART NUMBERS

SHELL SIZE	ADAPTER O-RING *	FLANGE O-RING *	COMPRESSION FLAT SEAL **
10	2-014	2-019	G70653-10
12	2-016	2-021	G70653-12
14	2-018	2-022	G70653-14
16	2-020	2-024	G70653-16
18	2-022	2-025	G70653-18
20	2-024	2-027	G70653-20
22	2-026	2-029	G70653-22
24	2-028	2-030	G70653-24

* Parker O-ring part numbers. Compound N674-70 or equivalent.
** Glenair, Inc. Part Numbers