



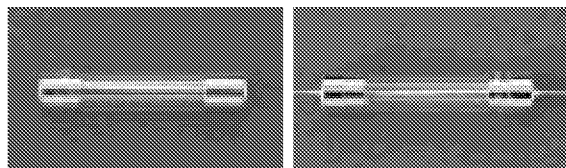
defining a degree of excellence

# Type 3SB / 3SBP

## Slow Blow Fuse Series

1/4 x 1 1/4 inch Glass Tube

3SBD0897



### Electrical Characteristics

Testing current	Blow Time	
	Minimum	Maximum
100%	4 Hrs.	N/A
135%	N/A	1 Hr
200%	5 sec	30 sec



### Approvals

Safety Agency Approvals	Type	Amp range / Volt @ I.R. ability
<ul style="list-style-type: none"> <li>UL Listed File no. E20624</li> <li>SP Certified File no. LR39772</li> </ul>	3SB / 3SBP	63mA - 1A / 250V AC@ 35A >1A - 3.5A / 250V AC@ 100A >3.5A - 8A / 250V AC@ 200A 63mA - 15A / 125V AC@ 10,000A
<ul style="list-style-type: none"> <li>Approval File no. 32-1764 / no. 32-1766</li> <li>File no. 32-1765</li> </ul>	3SB / 3SBP	1A - 5A / 125V AC@ 500A >5A - 15A / 125V AC@ 300A

### Operating Temperature

-55°C to +125°C

### Physical Specification

#### Materials

Glass body / Nickel Plated Brass Caps

Lead wire:

Tin-lead plated Copper;

Diameter 0.032", 5A and less

Diameter 0.040", 6A and above

#### Marking

On fuse:

"bel", "3SB", "Current Rating", "Voltage Rating", and "Appropriate Safety Logos"

On label:

Above info plus "CE" and interrupting rating

Voltage on fuse:

250V for 63mA to 8A; 125V for 10A and above

#### Packaging

1. In bulk:

3SB - 1,000 pcs per box; 3SBP - 500 pcs per box

2. On Axial Tape & Reel:

1,000 pcs per reel

3. Tape & Reel specification:

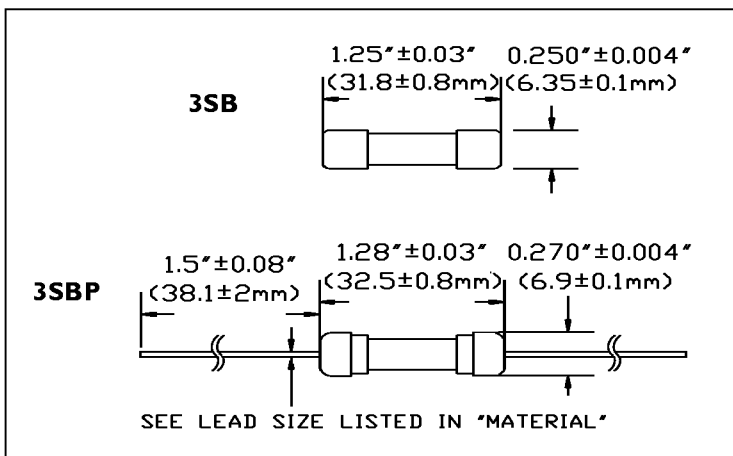
per EIA-296-E & IEC 286-1

@ 10mm Pitch and 73mm inside Tape Spacing

Catalog Number	Ampere Rating	Typical Cold Resistance (ohm)	Volt-drop @100% In (Volt) max.	Melting 1 <sup>st</sup> < 10 mSec (A <sup>2</sup> Sec)	Melting 1 <sup>st</sup> @10 In (A <sup>2</sup> Sec)	Maximum Power Dissipation (W)
3SB (P) 63	63mA	77.3	6.9	0.09	0.10	0.71
3SB (P) 80	80mA	52.0	5.7	0.13	0.15	0.74
3SB (P) 100	100mA	22.0	3.3	0.21	0.24	0.54
3SB (P) 125	125mA	15.9	2.7	0.32	0.37	0.56
3SB (P) 160	160mA	11.5	2.3	0.50	0.58	0.59
3SB (P) 200	200mA	8.3	1.9	0.77	0.91	0.61
3SB (P) 250	250mA	5.6	1.6	1.20	1.42	0.64
3SB (P) 300	300mA	3.8	1.3	1.85	2.22	0.68
3SB (P) 375	375mA	2.8	1.1	2.6	3.2	0.71
3SB (P) 500	500mA	1.7	0.9	4.4	5.4	0.75
3SB (P) 750	750mA	0.84	0.7	9.7	12.1	0.83
3SB (P) 1	1A	0.52	0.5	16.4	20.6	0.88
3SB (P) 1.25	1.25A	0.35	0.5	25.4	32.3	0.9
3SB (P) 1.6	1.6A	0.23	0.38	39.3	50.4	1.0
3SB (P) 2	2A	0.16	0.32	61	79	1.0
3SB (P) 2.5	2.5A	0.11	0.27	94	123	1.1
3SB (P) 3	3A	0.07	0.22	146	192	1.1
3SB (P) 4	4A	0.05	0.19	226	300	1.2
3SB (P) 5	5A	0.03	0.16	349	469	1.3
3SB (P) 6	6A	0.019	0.16	286	455	1.6
3SB (P) 7	7A	0.016	0.16	372	592	1.8
3SB (P) 8	8A	0.014	0.15	483	769	1.9
3SB (P) 10	10A	0.010	0.14	817	1300	2.3
3SB (P) 12	12A	0.008	0.13	1277	2031	2.6
3SB (P) 15	15A	0.006	0.12	2123	3377	3.0

Consult manufacturer for other ratings

### Mechanical Dimensions



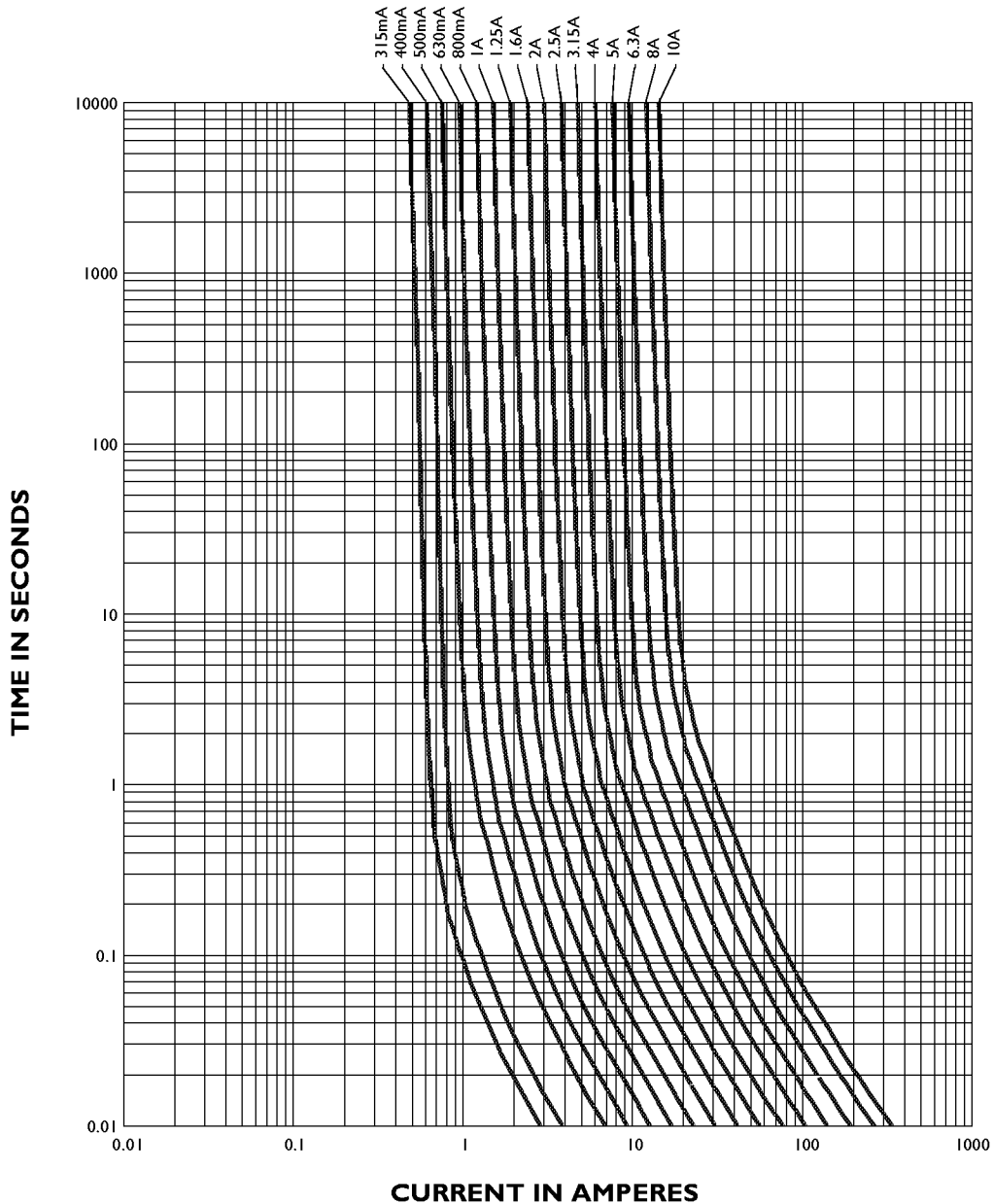
Specifications subject to change without notice

**Type 3SB / 3SBP**  
**Slow Blow Fuse Series**

1/4 x 1 1/4 inch Glass Tube

3SBC0897

**3SB / 3SBP - TIME CURRENT CHARACTERISTIC CURVE**



*Specifications subject to change without notice*

**Corporate Office**

Bel Fuse Inc.  
 198 Van Vorst Street, Jersey City, NJ 07302  
 Tel: 201-432-0463  
 Fax: 201-432-9542  
 E-Mail: [BelFuse@compuserve.com](mailto:BelFuse@compuserve.com)  
 Internet: <http://www.belfuse.com>

**Far East Office**

Bel Fuse Ltd.  
 8F/8 Luk Hop Street  
 San Po Kong  
 Kowloon, Hong Kong  
 Tel: 852-2328-5515  
 Fax: 852-2352-3706

**European Office**

Bel Fuse Europe Ltd.  
 Preston Technology Management Centre  
 Marsh Lane, Preston PR1 8UD  
 Lancashire, U.K.  
 Tel: 44-1772-556601  
 Fax: 44-1772-888366