

SPECIFICATIONS

Friction Header Connector

Mechanical

Contact Retention Force: 2.0 KGF Min
Durability: 500 Cycles

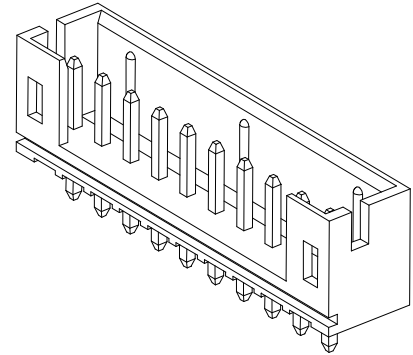
HF55 Series
Friction T/H Type
2.00mm [.079"] Pitch

Electrical

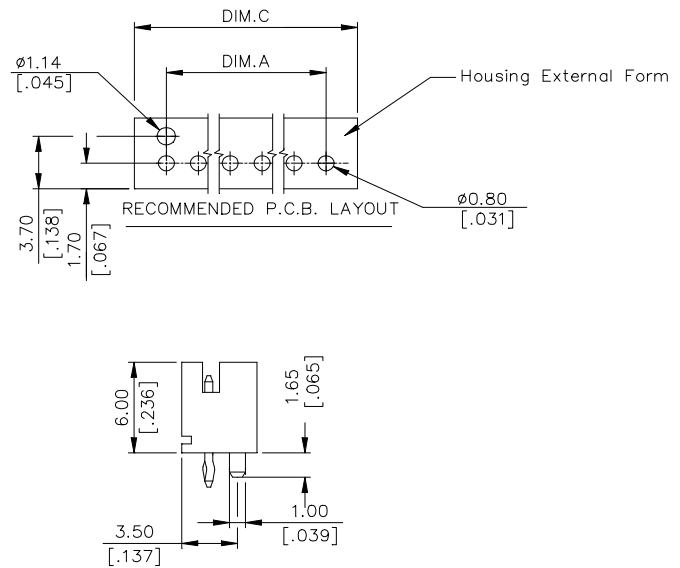
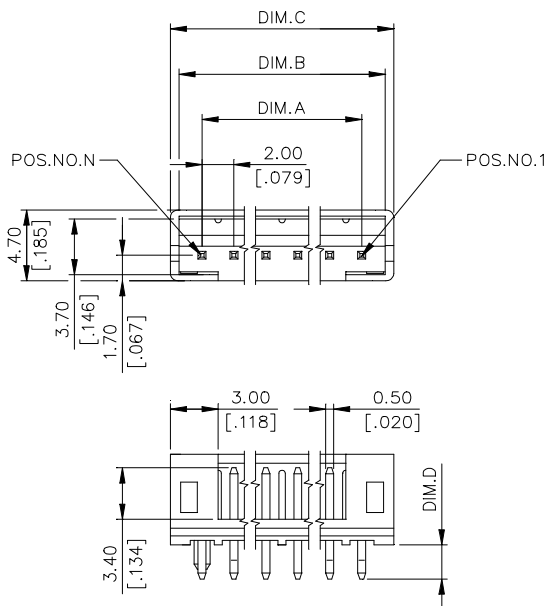
Voltage Rating: 800V
Current Rating: 2.0A per pin min
Insulation Resistance: 1000MW min

Physical

Housing: Thermoplastic, Glass Filled , UL94V-0 Rating
Contact: Copper Alloy
Plating: See "ORDERING INFORMATION"
Operating Temperature: -40 to +105



DRAWING



ORDERING INFORMATION

PRODUCT NO.: H F 5 5 * * * - * * * *

Header _____
 High Friction Header _____
 Termination & Contact Type _____
 No. Of Pos _____
 2=2 Pos
 3=3 Pos

 15=15 Pos

Housing Material
 None:Housing Material PA4.6
 N:Housing Material PA6.6
 Color White
 See Remark 1
 Optional For Housing Color
 N : Housing Color Ivory
 B : BLACK
 R : Red
 Optional For Plating
 0=100u" Tin/Lead
 E=1000u" min. Tin with
 Lead free "RoHS Compliance"

HF5515*-* ** *	15	28.00 [1.103]	31.00 [1.221]	32.00 [1.261]
HF5514*-* ** *	14	26.00 [1.024]	29.00 [1.142]	30.00 [1.182]
HF5513*-* ** *	13	24.00 [.945]	27.00 [1.064]	28.00 [1.103]
HF5512*-* ** *	12	22.00 [.867]	25.00 [.985]	26.00 [1.024]
HF5511*-* ** *	11	20.00 [.788]	23.00 [.906]	24.00 [.945]
HF5510*-* ** *	10	18.00 [.709]	21.00 [.827]	22.00 [.867]
HF5509*-* ** *	9	16.00 [.63]	19.00 [.748]	20.00 [.788]
HF5508*-* ** *	8	14.00 [.552]	17.00 [.67]	18.00 [.709]
HF5507*-* ** *	7	12.00 [.473]	15.00 [.591]	16.00 [.63]
HF5506*-* ** *	6	10.00 [.394]	13.00 [.512]	14.00 [.552]
HF5505*-* ** *	5	8.00 [.315]	11.00 [.433]	12.00 [.473]
HF5504*-* ** *	4	6.00 [.236]	9.00 [.355]	10.00 [.394]
HF5503*-* ** *	3	4.00 [.158]	7.00 [.276]	8.00 [.315]
HF5502*-* ** *	2	2.00 [.079]	5.00 [.197]	6.00 [.236]
P/N	POS.	DIM. A	DIM. B	DIM. C

Remark 1

CODE	DESCRIPTION			
	DIM.D	KINK	POST	MISSING PIN
NONE	3.40	YES	NONE	FULL PIN
P1	3.40	YES	YES	FULL PIN
P2	3.40	NO	YES	FULL PIN
P3	3.40	YES	NONE	PIN #2
P4	3.40	NONE	NONE	FULL PIN
P8	3.40	YES	NONE	PIN #7
C1	2.16	NO	YES	FULL PIN
C2	2.16	NO	YES	PIN #7
D5	3.40	YES	NONE	PIN #3
D6	3.40	YES	NONE	PIN #5
D7	3.40	YES	NONE	PIN #4