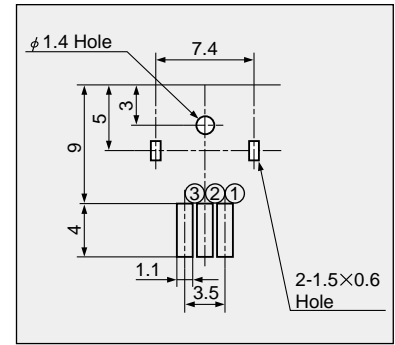
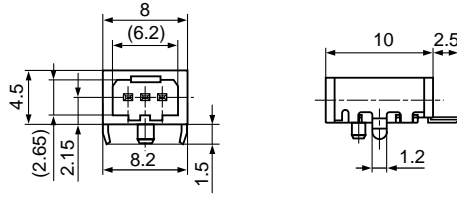


## TCP7331 Series

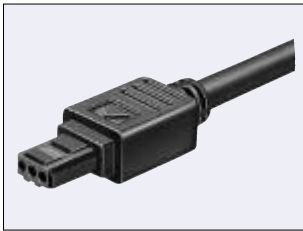
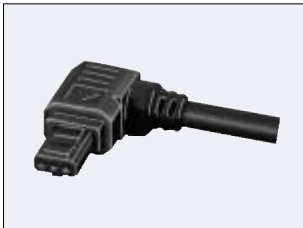
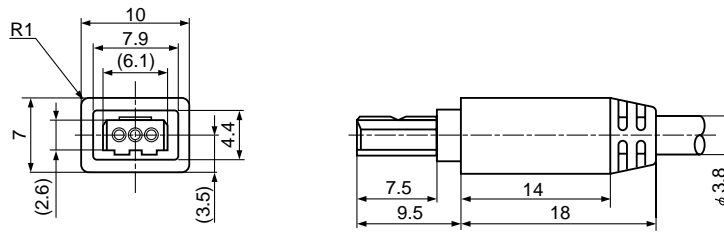
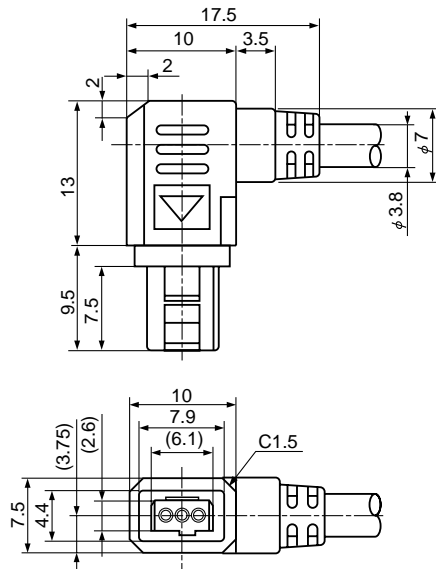
### Plug (3P) $h = 4.5$ mm


**TCP7331-010177**

**Hole Layout  
(Bottom View)**

Arrangement	(Front View)	(Front View)	(Front View)
Voltage Classification	$3.15 < V \leq 6.3$	$6.3 < V \leq 10.5$	$10.5 < V \leq 12$
Model No.	TCP7331-010177	TCP7331-110177	TCP7331-210177

## TCS7331 Series

### Socket Cable (3P)


**TCS7331-13  
Straight Type**

**TCS7331-63  
Right Angle Type**


Rating	3 A 12 V DC max.
Insulation Resistance	100 M $\Omega$ min. at 500 V DC
Dielectric Strength	500 V AC / 1 minute
Contact Resistance	30 m $\Omega$ max.
Insertion Force	29 N max.
Withdrawal Force	4.9 N to 15 N

Arrangement	(Front View)	(Front View)	(Front View)	
Voltage Classification	$3.15 < V \leq 6.3$	$6.3 < V \leq 10.5$	$10.5 < V \leq 12$	
Model No.	Straight Type	TCS7331-13	TCS7331-43	TCS7331-73
	Right Angle Type	TCS7331-33	TCS7331-63	TCS7331-93

1. Applicable wire size: AWG #22 max.
2. UL-approved material (94 V-0) is used for the insulation material.
3. This socket is made by insertion forming and equipped with cords. The socket cannot be sold independently.
4. 3.8 mm, 4.8 mm are available for cable diameter.