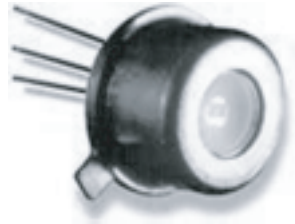


High Speed InGaAs p-i-n Photodiode

Sheet 1 of 3

13PD100-T0

The 13PD100-T0, an InGaAs photodiode with a 100 μ m-diameter photosensitive region and packaged in a TO-46 header, is the largest standard device enabling a 1GHz frequency cutoff. Planar semiconductor design and dielectric passivation provide very low noise performance. Reliability is assured by hermetic sealing and 100% purge burn-in (200°C, 15 hours, Vr = 20V). Headers are available with either a lensed or flat window cap. Chips can also be attached and wire bonded to customer-supplied or other specified packages.



Features:

- Planar Structure
- Dielectric Passivation
- 100% Purge Burn-in
- High Responsivity

DEVICE CHARACTERISTICS

Parameters	Test Conditions	Minimum	Typical	Maximum	Units
Operating Voltage				-20	Volts
Dark Current	-5V		0.5	2	nA
Capacitance	-5V		1.15		pF
Responsivity	1300nm	0.8	0.9		A/W
Rise/Fall				0.5	ns
Frequency Response	(-3dB)		1		GHz

ABSOLUTE MAXIMUM RATINGS

Reverse Voltage	30 Volts
Forward Current	10mA
Reverse Current	500 μ A
Operating Temperature	-40°C to +85°C
Storage Temperature	-40°C to +85°C
Soldering Temperature	250°C

Sheet 1 of 3

829 Flynn Road, Camarillo, CA 93012 • Phone: (805) 445-4500 • Fax: (805) 445-4502

Email: customerservice@telcomdevices.com • Website: www.telcomdevices.com

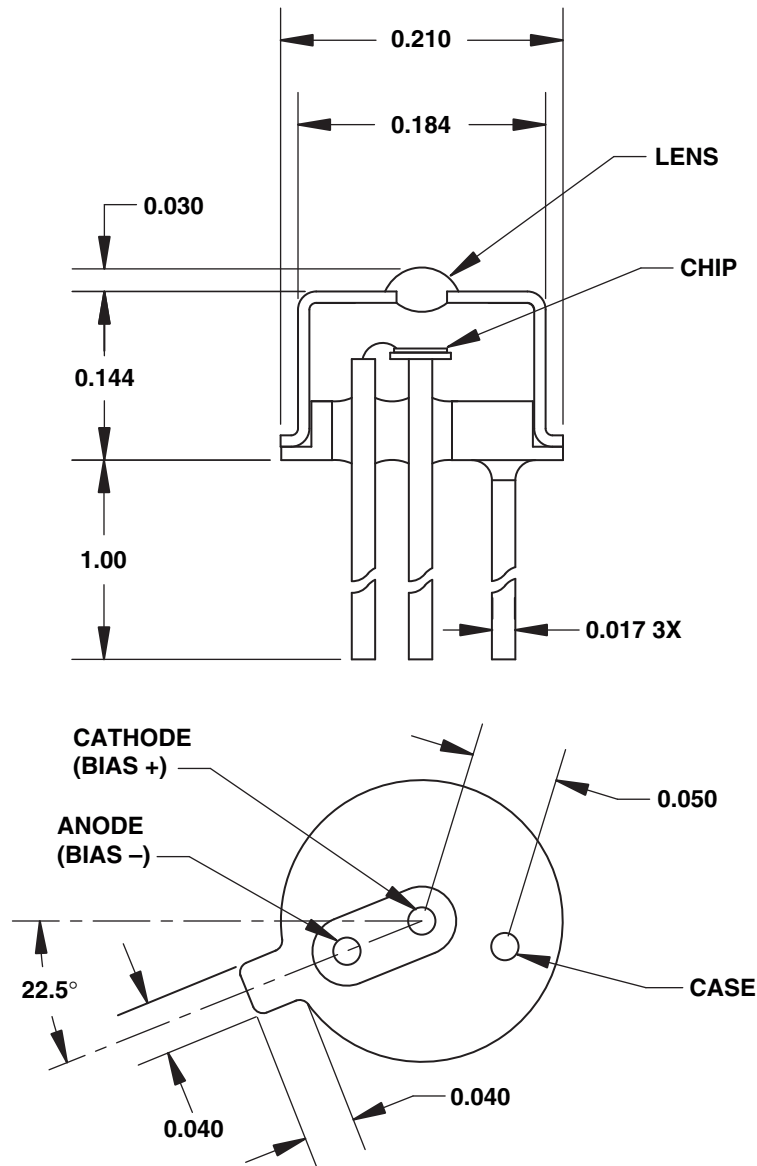


Telcom Devices Corp.

Mechanical Specifications TO-46 Header Packages

Sheet 2 of 3

Standard TO-46 Lens



Custom packaging is also available.

Sheet 2 of 3

829 Flynn Road, Camarillo, CA 93012 • Phone: (805) 445-4500 • Fax: (805) 445-4502
Email: customerservice@telcomdevices.com • Website: www.telcomdevices.com

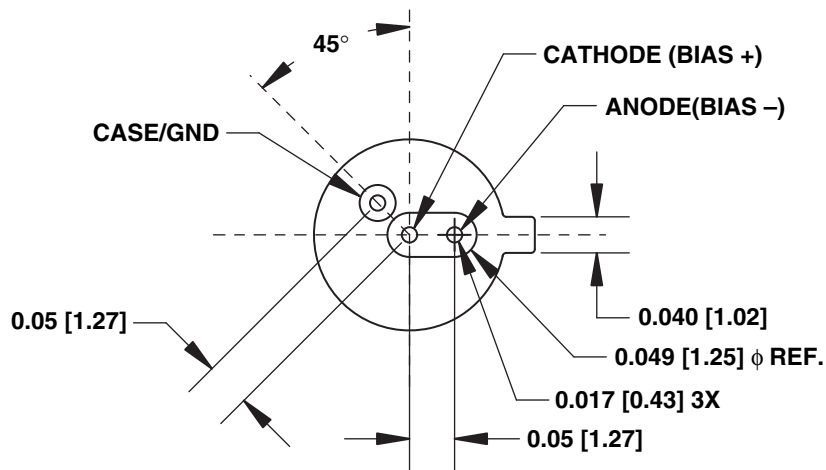
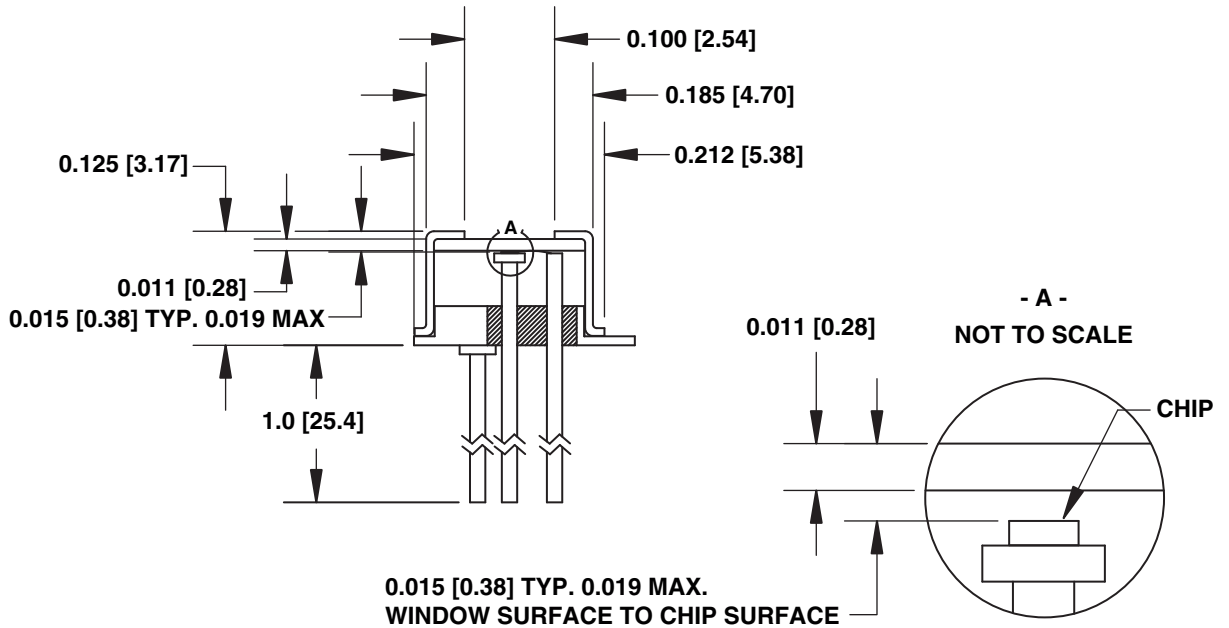


Mechanical Specifications

TO-46 Header Packages

Sheet 3 of 3

TO-46 Ultra Flat Window



Custom packaging is also available.

Sheet 3 of 3

829 Flynn Road, Camarillo, CA 93012 • Phone: (805) 445-4500 • Fax: (805) 445-4502
 Email: customerservice@telcomdevices.com • Website: www.telcomdevices.com

