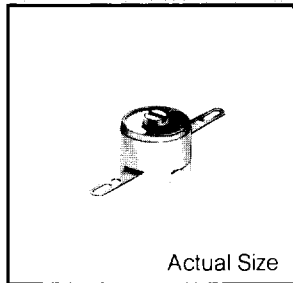


TUSONIX

200-350 WVdc CERAMIC TRIMMERS

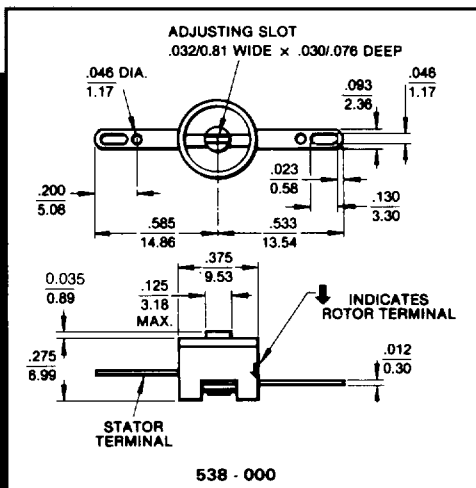
SERIES 538 Miniature



Incorporating the same fine design features which have made the 503 Series standard for the industry, TUSONIX' 538 and 539 Series described on these two pages are miniaturized for today's circuitry. All ceramic construction with optically flat interfaces provides tuning smoothness not obtainable with compression type trimmers.

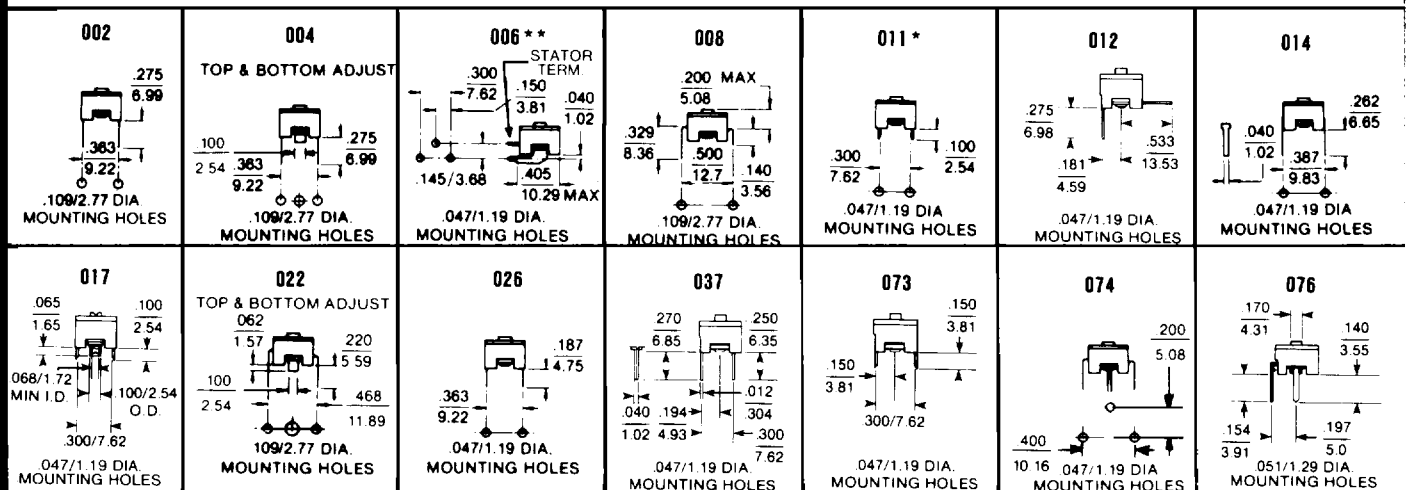
The silver electrodes are intimately bonded to the top surfaces of the base and rotor. The terminals and other metal parts are non-ferrous and silver-plated for good conductivity and trouble-free soldering.

A variety of capacitance ranges, terminations and mounting provisions make these popular trimmers ideal for nearly all applications.



Ordering Data				
	MIL C-81 Designation MIL CV31 TUSONIX Style 538-054*	MIL C-81 Designation MIL CV32 TUSONIX Style 538-067**	Dielectric Type Code (see p. 9)	Capacitance Range (pF)
Specify series 538 followed by the three digit Terminal Variation you select from the chart below. Then list the Dielectric Type Code you select from the table at right and the corresponding Capacitance Range. Example: 538-002 A 2-8 pF	CV31A080	CV32A080	A	2.0 to 8
	CV31B110	CV32B110	B	2.5 to 11
	—	—	A	3.0 to 10
	CV31C100	CV32C100	C	3.0 to 10
	CV31D150	CV32D150	D	3.0 to 15
	—	—	B	3.5 to 14
	CV31A180	CV32A180	A	5.5 to 18
	—	—	F	5.0 to 25
	—	—	D	5.5 to 25
	CV31B250	CV32B250	B	7.0 to 25
	CV31C250	CV32C250	C	8.0 to 25
	CV31D350	CV32D350	D	9.0 to 35
CV31E600	CV32E600	F	15.0 to 60	

Terminal Variation Options



For dimensions $\leq .125"/3.18$ mm, tolerance is $\pm .015/0.38$
 For dimensions $\leq .126"/3.20$ mm, tolerance is $\pm .030/0.76$

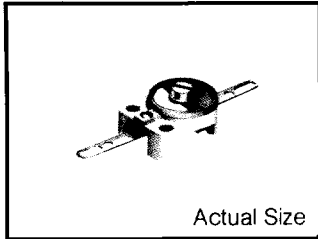
Specifications See page 6.

Above are shown a few of the many mechanical variations available. For special designs tailored to your application, contact your nearest TUSONIX Sales Office or call Tucson, AZ 520-744-0400.

TUSONIX

200-350 WVdc CERAMIC TRIMMERS

SERIES 539 Miniature



Actual Size

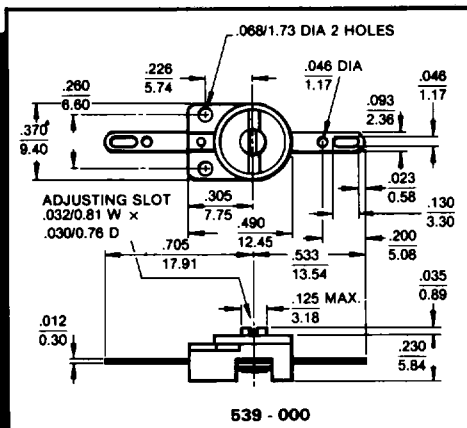
The 539 Series described on this page is similar to the 538 on page 4 except that the 539 provides for extra-secure mounting with No. 0 mounting screws through .068" dia. holes in the steatite base.

SPECIFICATIONS – For both 538 and 539 Series

Working Voltage.... A, B, C: 350 WVdc @ 85°C; 200 WVdc @ 125°C
 D & F: 200 WVdc @ 85°C; 100 WVdc @ 125°C
 Dielectric Strength 500 Vdc for 1-5 sec.
 Operating Temperature Range -55°C to +125°C
 Q Factor @ 1 MHz 500 Minimum
 Torque 1-6 oz. in.
 Qualification Specification TUSONIX Spec. 500 (page 9)

Marking: All units will be marked with TUSONIX trademark, capacitance range and dielectric code.

Example: T 4-15 A



Ordering Data

Specify series 539 followed by the three digit Terminal Variation you select from the chart below. Then list the Dielectric Type Code you select from the table at right and the corresponding Capacitance Range.

Example:
 539-002 A 4-15 pF

MIL C-81 Designation MIL CV34 TUSONIX Style 539-025*	Dielectric Code (see p. 9)	Capacitance Range (pF)
CV34A080	A	1.5 to 8.0
—	B	2.5 to 11.0
CV34A150	A	4.0 to 15.0
CV34D200	D	4.0 to 20.0
—	A	5.5 to 18.0
—	B	7.0 to 25.0
—	C	8.0 to 25.0
CV34D350	D	8.0 to 35.0
CV34E600	F	15.0 to 60.0

Terminal Variation Options

<p>002 *</p> <p>.250, 6.35, .355, 9.02, .540, 13.72</p>	<p>004</p> <p>.540, 13.72, .355, 9.02, .437, 11.10</p>	<p>006</p> <p>.185, 4.70, .305, 7.75</p>	<p>008</p> <p>.300, 7.62, .300, .305, 7.75</p>	<p>010</p> <p>.210, 5.33, .411, 10.44</p>
<p>012</p> <p>.462, 11.73, .330, 8.38</p>	<p>014</p> <p>.330, 8.38, .185, 4.70</p>	<p>016</p> <p>.210, 5.33, .305, 7.75</p>	<p>020</p> <p>.245, 6.22, .355, 9.02, .540, 13.72, .040, 1.02</p>	<p>022 TOP & BOTTOM ADJUST</p> <p>.250, 6.35, .355, 9.02, .540, 13.72</p>

For dimensions $\leq .125"/3.18$ mm, tolerance is $\pm .015/0.38$
 For dimensions $\geq .126"/3.20$ mm, tolerance is $\pm .030/0.76$
 Except where noted

Above are shown a few of the many mechanical variations available. For special designs tailored to your application, contact your nearest TUSONIX Sales Office or call Tucson, AZ 520-744-0400.