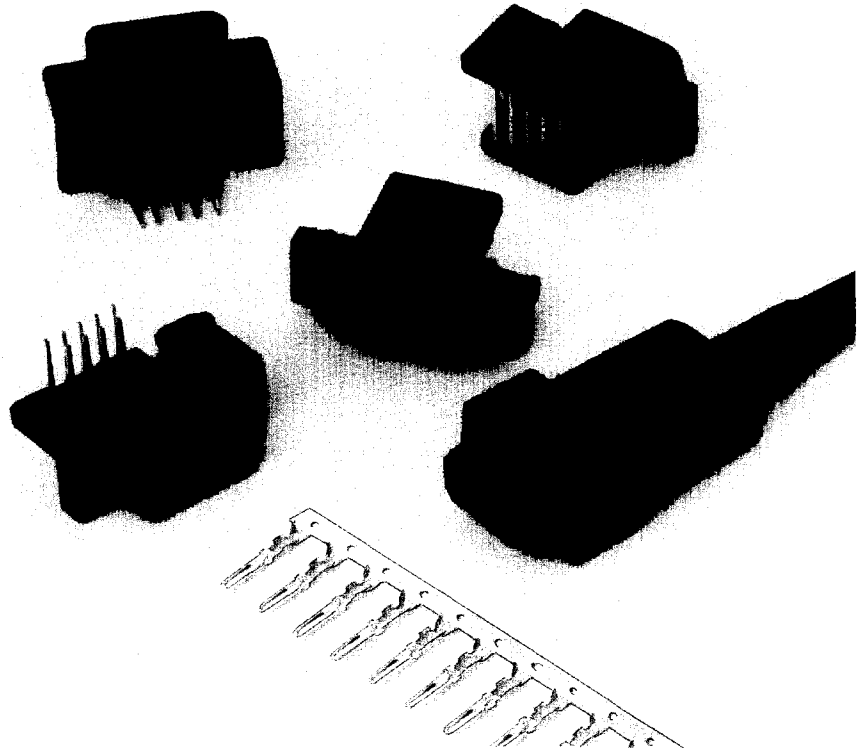


PCB-TO-CABLE APPLICATION ALL PLASTIC

DEL SERIES CONNECTORS

The DEL series has printed circuit right angle mounting and board-to-cable connectors (9 positions). Suitable for personal computer input, joy sticks, bar code readers, mouse cables, and other data interfaces. The connector has an all-plastic body and stamped contacts. It comes with a right angle PCB-mounting receptacle and a straight plug using crimp contacts.

• The plug socket contacts are the stamped crimp contacts of the D*U series; available with either gold or tin plating. High volume termination of reeled contacts is economical with JAE's CBT350-2B-D*C semiautomatic tool.



Materials/Finishes

	Material	Finish
Pin Contacts	Brass	Gold or tin over nickel
Socket Contacts	Copper alloy	Gold or tin over nickel
Insulator	Nylon	UL94 V-0, black
Plug Hood	Nylon	UL94 V-0, black
Dust Cap	Synthetic resin	Black

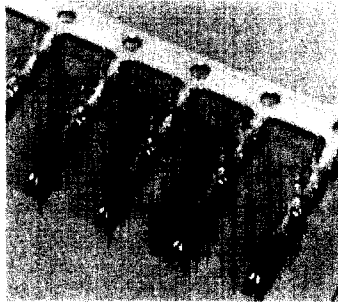
Specifications

No. of Contacts	9
Current Rating	3 amp
Dielectric Rating	1,000 VAC r.m.s. (1minute)
Insulation Resistance	5,000 megohms min.
Contact Resistance	8 milliohms max. (Initial)
Operating Temperature Range	-4°F ~ +176°F (-20°C ~ +80°C)
Applicable Wire	AWG #22 to #28

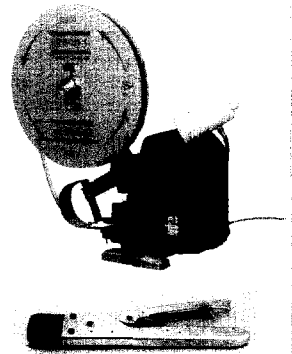
■ Crimp Socket Contacts (For Plugs)

Stamped insulation-support crimp contacts common with D*U and D*C connectors are used. Finishes are tin or gold plating, both over nickel underplate.

NOTE: Plating of the contacts on the receptacle pin side should be the same as that for the plug socket contacts.



- Semi-automatic crimp machine: CT350-2B-D*C



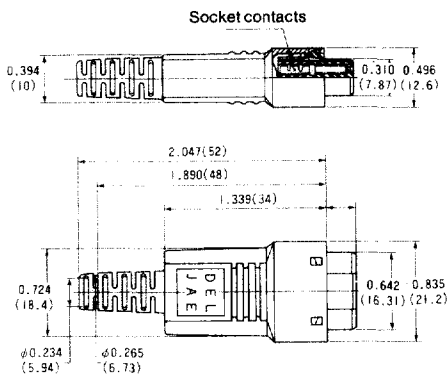
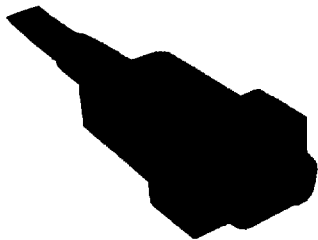
- Hand crimp tool: CT150-2-D*C

- Extraction tool: JIET-D*C-20 or ET-20D

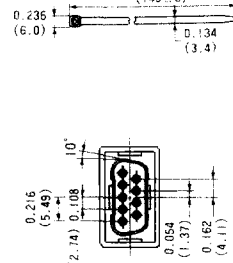
Contact Size	Materials/Finishes	Part Number		Applicable Wire Size	
		Reeled (10,000 contacts/roll)	Loose (100 contacts/pkg)	AWG	Insulation outer diameter
20-22	Copper alloy/Tin plate	D*C-20-22S-10000-S	D*C-20-22S-PKG100-S	#22 ~ #24	φ0.47 ~ φ0.67 (φ1.2 ~ φ1.7)
	Copper alloy/Gold plate	D*C-20-22S-10000	D*C-20-22S-PKG100		
20-24	Copper alloy/Tin plate	D*C-20-24S-10000-S	D*C-20-24S-PKG100-S	#24 ~ #28	φ0.31 ~ φ0.59 (φ0.8 ~ φ1.5)
	Copper alloy/Gold plate	D*C-20-24S-10000	D*C-20-24S-PKG100		

■ PLUG (SOCKET SIDE)

Part description: DEL-J9S-10-F0
Crimp contacts are ordered separately.

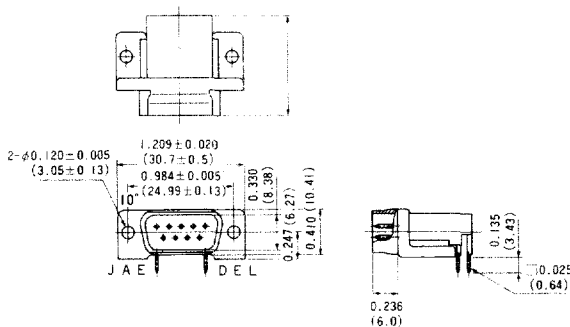
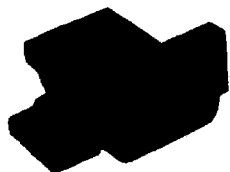


Ty-rap for cable (attached)

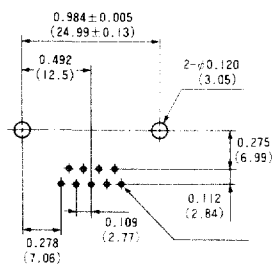


■ RECEPTACLE (PIN SIDE)/RIGHT ANGLE THROUGH HOLE

Part description: DEL-J9PA-410
(with tin plated contacts)

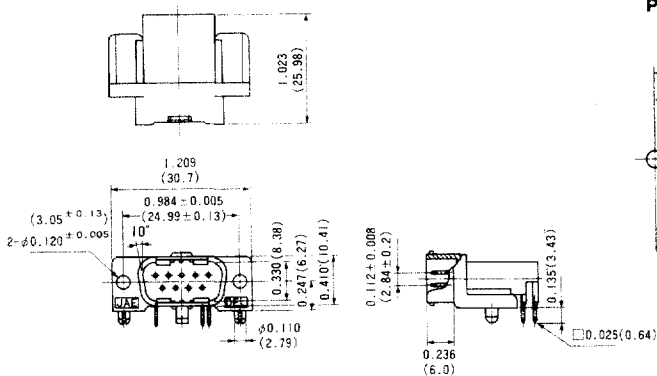


PCB HOLE PATTERNS

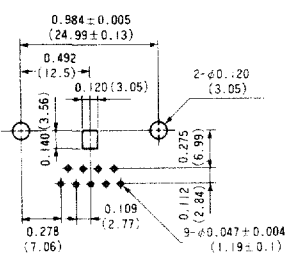


PCB LATCHING POST TYPE
Part description: DEL-J9PA-411
(with tin plated contacts)

Part description: DEL-J9PA-111
(with gold plated contacts)

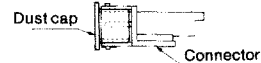
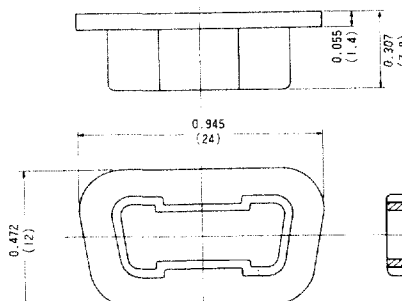


PCB HOLE PATTERNS



■ DUST CAP (FOR RECEPTACLE)

Part description:
025-50603
(Material: Synthetic resin/Black)



Connector with dust cap installed

