

DO NOT SCALE FROM THIS PRINT

NOTES:

1. Ⓢ REPRESENTS A CRITICAL DIMENSION.
2. BURR ALLOWANCE: .0015[.038] MAX.
3. LATCH RETENTION FORCE: 1.00LB[4.5N]
4. POSITION 2 THRU 6 TO BE IN BULK PACKING, ALL OTHER SIZES TO BE IN TUBES

IPD1-XX-S-K-M

No OF POSITIONS
-02 THRU -25

METAL RETENTION LATCH
-M: METAL LATCH (USE LTC-14-01-N)

ROW SPECIFICATION
-S: SINGLE

POLARIZATION OPTION
-K: KEYED POLARIZATION

FIG. 1
(IPD1-06-S-K-M SHOWN)

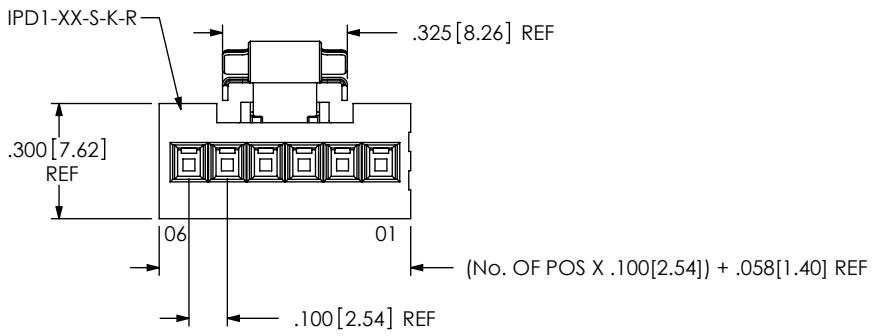
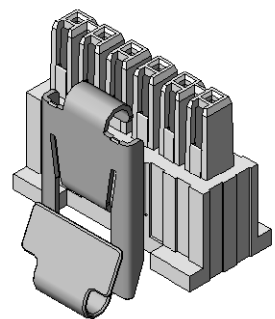
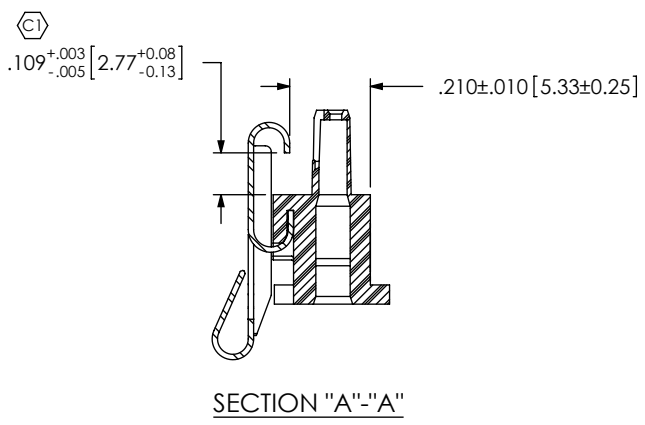
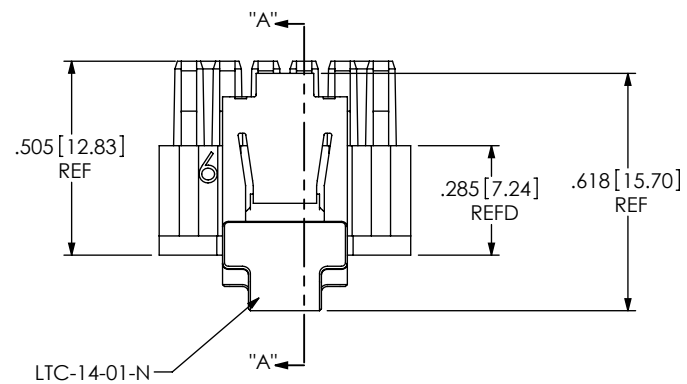
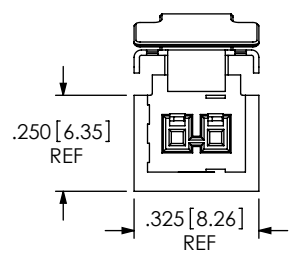
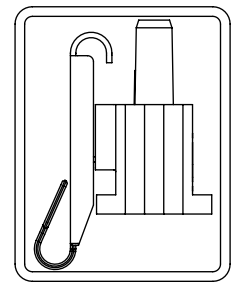


FIG. 3
(IPD1-02-S-M SHOWN)
(SAME AS FIG. 1, DIFFERENT AS SHOWN)



PACKAGING VIEW
(SEE NOTE 4)



TUBE: PT-1-24-02-112
PLUG: TP-28

UNLESS OTHERWISE SPECIFIED, DIMENSIONS ARE IN INCHES. TOLERANCES ARE:
DECIMALS ANGLES
.XX: ±.01 [.3] 2°
.XXX: ±.005 [.13]
.XXXX: ±.0020 [.051]

PROPRIETARY NOTE
THIS DOCUMENT CONTAINS INFORMATION CONFIDENTIAL AND PROPRIETARY TO SAMTEC, INC. AND SHALL NOT BE REPRODUCED OR TRANSFERRED TO OTHER DOCUMENTS OR DISCLOSED TO OTHERS OR USED FOR ANY PURPOSE OTHER THAN THAT WHICH IT WAS OBTAINED WITHOUT THE EXPRESSED WRITTEN CONSENT OF SAMTEC, INC.



520 PARK EAST BLVD, NEW ALBANY, IN 47150
PHONE: 812-944-6733 FAX: 812-948-5047
e-Mail: info@SAMTEC.com code: 55322

MATERIAL: DO NOT SCALE DRAWING SHEET SCALE: 2:1
INSULATOR: NYLON 6/6, COLOR: WHITE
LATCH: NICKEL-PLATED BeCu, #25, 1/2 HT

DESCRIPTION:
.100[2.54] DISCRETE WIRE INSULATOR & LATCH ASM
DWG. NO.

IPD1-XX-S-K-M

BY: D. SCHMELZ 11/11/2008 SHEET 1 OF 1