

**SPECIFICATIONS**

**DC POWER JACK CONNECTOR**

**Mechanical**

**DURABILITY:** 5,000 Cycles.  
**INSERTION / WITHDRAWAL FORCE:** 0.4 kg-3.0 kg.

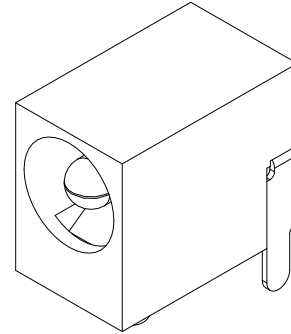
**JPD Series,**  
**R/A Through hole Type**  
**3 Pins**

**Electrical**

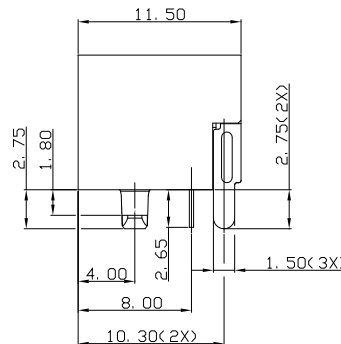
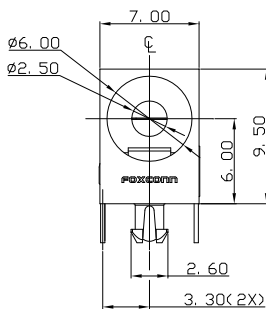
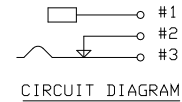
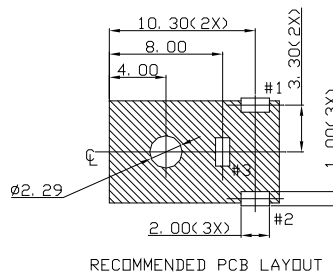
**Voltage Rating:** 12V DC  
**Current Rating:** 7A  
**Contact Resistance:** 30mΩ max. Initial  
**Dielectrical Withstanding Voltage:** 250V  
**Insulation Resistance:** 100MΩ min.

**Physical**

**Housing:** HTN, UL 94-0, Black  
**Contact:** Copper Alloy  
**Plating:** See "ORDERING INFORMATION"



**DRAWING**



**ORDERING INFORMATION**

PRODUCT NO.: JPD\*0\*\*-H\*\*C-\*\*

- Terminator Type:
  - 0=Straight Through hole
  - 1=R/A Through hole
  - 3=Straight SMT
- No. of Contact:
  - 3=3 pin
  - 4=4 pin
- Center Contact Plating:
  - T=Ag plating
  - N=Ni plating
- Lead Free Code:
  - N=None
  - F=Lead Free
- Package Type:
  - 4=Tray
- Center Pin OD (mm):
  - 3=2.5mm
- Current Rate:
  - 1=1A Max 2=2A Max.
  - 3=3A Max 4=4A Max
  - 5=5A Max 6=6A Max
  - 7=7A Max 8=8A Max