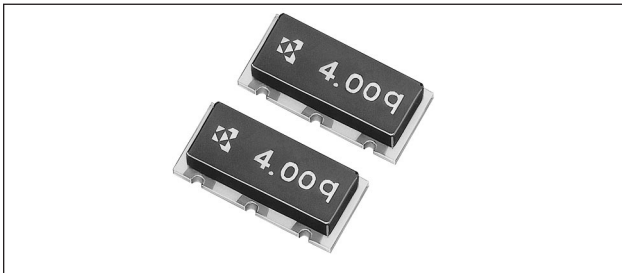
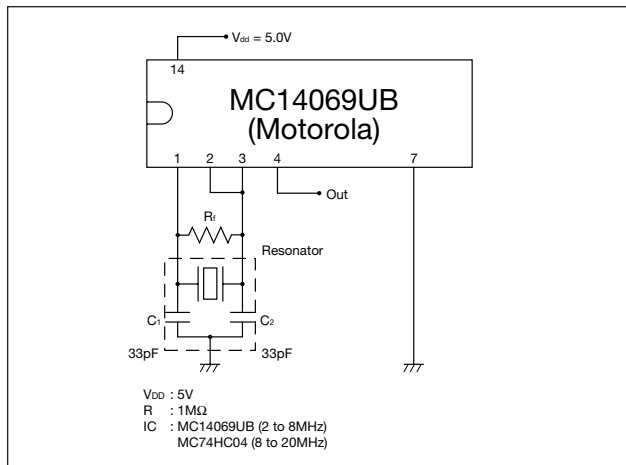


MHz Band Ceramic Resonators (SMD) PBRC-K, PBRC-H Series

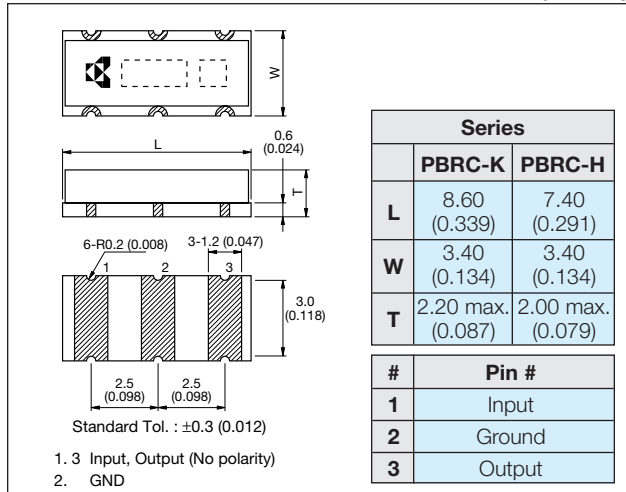


TEST CIRCUIT



DIMENSIONS

millimeters (inches)



FEATURES

- High reliability, high temperature withstanding ceramic case
- Rectangular shape allows easy pick and placement
- Small & low profile PBRC-A Series = 2.0mm height max.
- Reflow solderable
- Excellent solderability (Nickel barrier + Au flush termination)

APPLICATIONS

- Power Window Car Accessories
- Cam-corder
- Cellular phone/cordless phone
- FDD
- Mouse, CPU-clock

HOW TO ORDER

PBRC - 4.00 H R □

Tolerance

	2.00 to 8.00	8.01 to 20.00
□	$\pm 0.5\%$	$\pm 0.7\%$
03	$\pm 0.3\%$	—
05	—	$\pm 0.5\%$

Packaging

Tape and reel, 2,000 pcs/reel

K, H: Terminals Capacitor

K = 2.00 to 3.57MHz
 H = 3.58 to 20.00MHz

Oscillating Frequency (MHz)

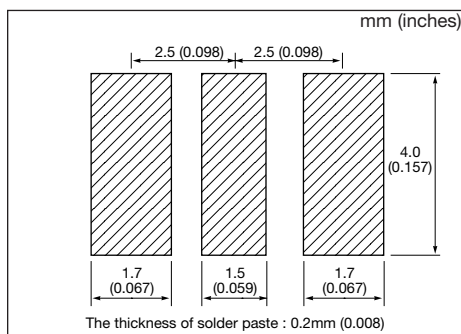
Series

Note: Please refer to IC Application Guide book for IC matching

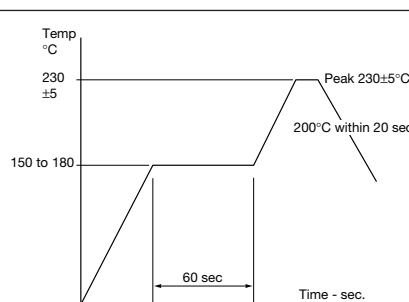
SPECIFICATIONS

Series	Frequency Range (MHz)	Tolerance (25°C)	Temperature Stability (-20 to 80°C)	IC	Standard Frequencies
PBRC-K	2.00 to 3.57	$\pm 0.5\%$ (op. $\pm 0.3\%$)	$\pm 0.5\%$ (-40 to 85°C)	MOTOROLA MC14069UB	2.00, 3.00
PBRC-H	3.58 to 8.00	$\pm 0.7\%$ (op. $\pm 0.5\%$)	$\pm 0.1\%$ (-40 to 85°C)	MOTOROLA MC74HC04	3.58, 4.00, 4.19 6.00, 8.00
	8.01 to 20.00			MOTOROLA MC14069UB	10.0, 12.0, 16.0, 20.0

Recommended Land Pattern



Recommended Reflow Profile



Packaging - Taping

