

# IDC type (power contact: crimping type) male connector for cable and panel

## PCL-G96RM( )+

RoHS

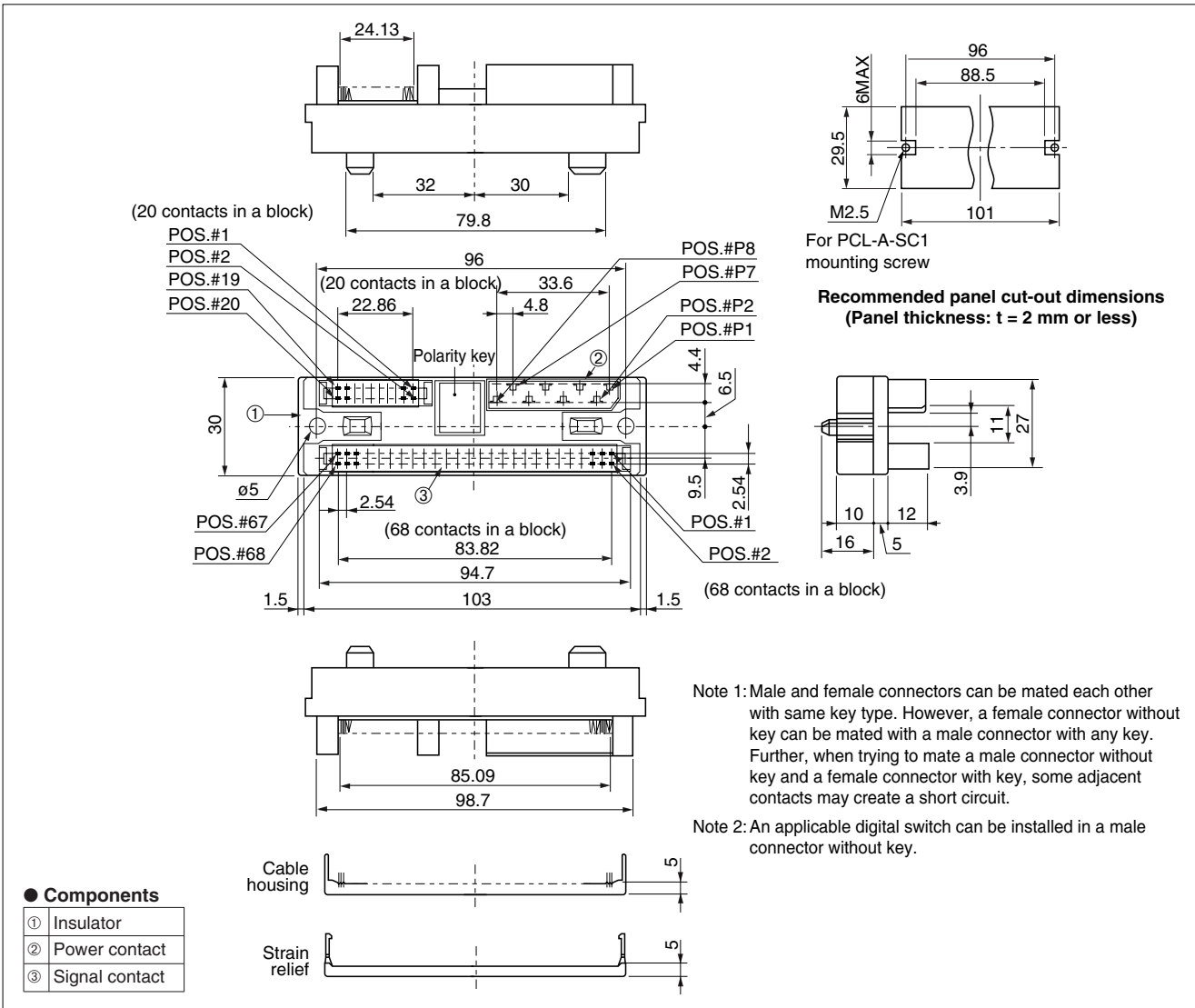
**Complex connector**  
**For cable and panel**  
**IDC (1.27 mm), Crimping**  
**Sequence**



● Configuration of product Part No.

### PCL-G 96 RM ( )+

- ① Series name  
 ② No. of contacts: 96 (20 in a block for signal, 68 in a block for signal and 8 in a block for power-supply)  
 ③ Type of contact  
 RM: 1.27 mm pitch signal contacts, IDC type, with strain relief, male (AWG#28 stranded flat cable)  
 ④ Type of key (See Note #1)  
 Blank: None (See Note #2)  
 1 : Key type 1  
 2 : Key type 2



Mating connectors: PCL-G96RF( )+( )+ (See Note #1)

Mounting screw (for floating connector): PCL-A-SC1

Power contacts: PCL-A-M( )

For use with digital switch (See Note #2): T55-03M1 (made by Cherry Co.)

IDC tool: Hand press: Locator plate: MLPT-0001A, HandPress: RPS-K4 (Refer to page Tool-16)

Hand crimping tool: KP-PCL-346M( )N

Extraction tool: PCL-AM1 (Refer to page Tool-8, 9)