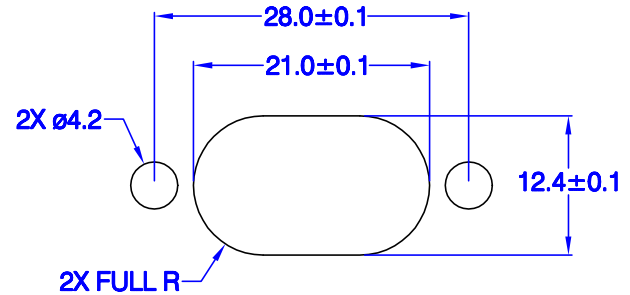


MATERIAL AND FINISH

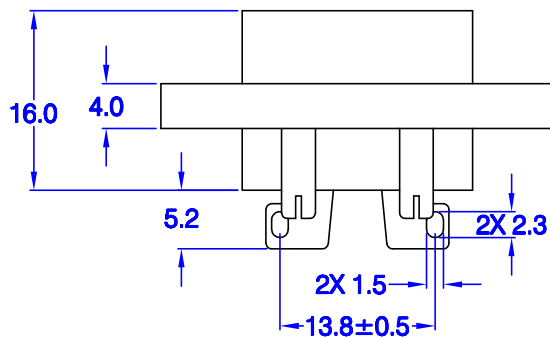
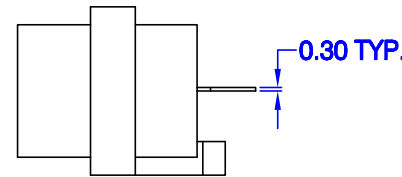
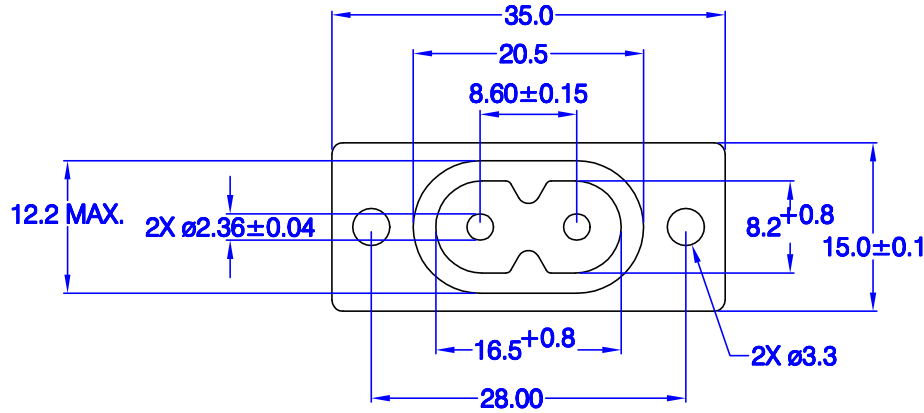
Insulator: PBT, glass fiber, black, UL-94V-0
 Contacts: Copper Alloy

ELECTRICAL SPECIFICATIONS:

Rated current: 2.5A
 Rated voltage: 250VAC
 Insulation resistance: 100 Mohm min. @ 500VDC
 Dielectric withstanding voltage: 2000VAC for one minute



**RECOMMENDED
 PANEL CUTOUT**



REVISIONS	CHNG	CHK	APPR
	DATE		
REV	DATE		

TOLERANCE UNLESS OTHERWISE SPECIFIED			
X	± 1		
XX	± 0.4		
XXX	± 0.20		
DRAWN BY	GQ	DATE:	11/07/01
CHECK BY	TD	DATE:	11/08/01
APPR BY	PB	DATE:	11/08/01

Power Dynamics, Inc.		
Phone: 973 560-0019 Whippary, New Jersey Fax: 973 560-0076		
PART: MINIATURE IEC 60320 C8 APPL. INLET; FLANGE MOUNT, SOLDER TERMINALS		
PART #: PD-42R51-1122		SHEET 1 of 1
SIZE: A	ALL DIMENSIONS FOR REFERENCE ONLY DIMENSIONS ARE IN MILLIMETERS	
SCALE: NTS	REV:	