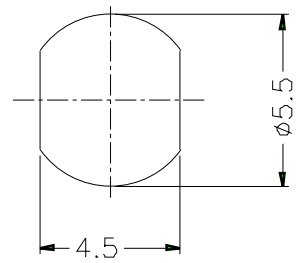
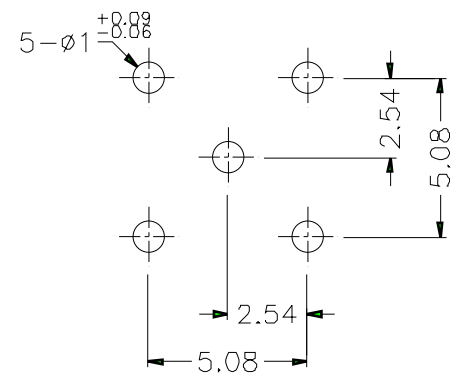


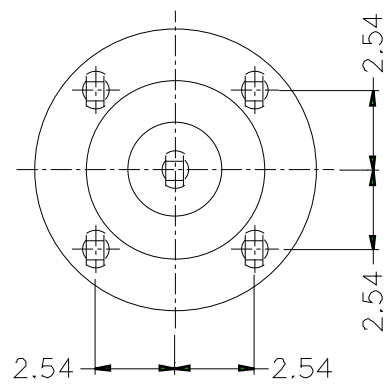
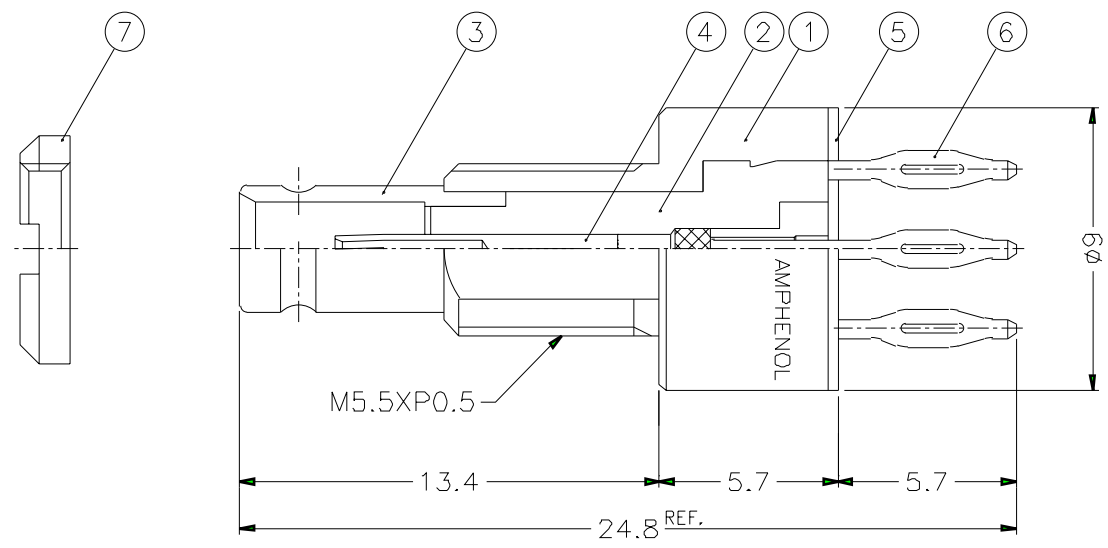
REVISIONS			
ISS	ZONE	DESCRIPTION\PER REQUEST\DATE	



RECOMMENDED MOUNTING HOLE



PCB MOUNTING HOLE



PANEL THICKNESS: 3 MAX.

WITHDRAWAL FORCE ≥ 90 N
 INSERTION FORCE ≤ 540 N

- CONNECTOR ACCORDING TO 93-571

NO.	DESCRIPTION	MATERIAL	FINISH	Q'TY	DRAWING NO.	DIMENSIONS ARE IN MILLIMETERS				PART NO.	TITLE
						SCALE	4/1	ISSUE	F		
7	NUT	BRASS	NICKEL	1						1236251PF-ES2	1.0/2.3 PRESS-FIT P.C.B RECEPT. JACK
6	LEG	BRONZE	TIN-LEAD	5							
5	ISOLATING WATER	MYLAR	WHITE	1						APPROVED	DATE 10-04-99'
4	CONTACT PIN	BECU	GOLD	1						CHECKED	DATE 10-04-99'
3	BODY	BRASS	GOLD	1						DRAWN	DATE 10-04-99'
2	INSULATOR	PTFE	NATURAL	1							DRAWING NO. 3D-811-03K
1	BODY	BRASS	NICKEL	1							FILE NO. F:\DWG\ASF\102\811\03

Amphenol RF