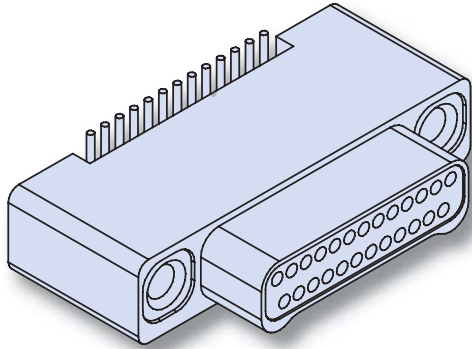




Series 89 Nanominiature Connectors Two Row Vertical Surface Mount 891-010 and -011



Vertical Surface Mount PCB Nano Connectors feature gold alloy NanoPin contacts. Contacts are precision-crimped #30 AWG gold-plated wire. These nanominiature connectors offer premium performance and reliability for demanding applications.

Choose Aluminum, Titanium or Stainless Steel Shells in eight layouts from 9 to 51 contacts. Complies to the requirements of MIL-DTL-32139.

HOW TO ORDER VERTICAL MOUNT SMT CONNECTORS

| Series | Insert Arrangement/ Contact Type | Shell Material and Finish | Termination Type | Hardware |
|--|--|---|---|---|
| 891-010 Plug, Pin Contacts, Two Row, Vertical SMT Nanominiature | Plugs (891-010) 9P 15P 21P 25P 31P 37P 51P | A1 Aluminum Shell, Cadmium Plating A2 Aluminum Shell, Electroless Nickel Plating | BSS "Board Surface Mount Straight" | T Threaded Inserts, #0-80 Female |
| 891-011 Receptacle, Socket Contacts, Two Row, Vertical SMT Nanominiature | Receptacles (891-011) 9S 15S 21S 25S 31S 37S 51S | T Titanium Shell, Unplated S Stainless Steel Shell, Passivated | | |
| Sample Part Number | | | | |
| 891-011 | — 51S | A2 | —BSS | T |

MATERIALS AND FINISHES

| | |
|-----------------|--|
| Connector Shell | See Ordering Information |
| Insulator | Liquid Crystal Polymer (LCP), 30% Glass-Filled |
| Contacts | Gold Alloy, Unplated |
| Hardware | 300 Series Stainless Steel |
| PC Tails | #30 (.010 Dia.) Copper Wire, Solder Dipped |
| PCB Trays | Liquid Crystal Polymer (LCP) or Epoxy |
| Encapsulant | Epoxy |

SPECIFICATIONS

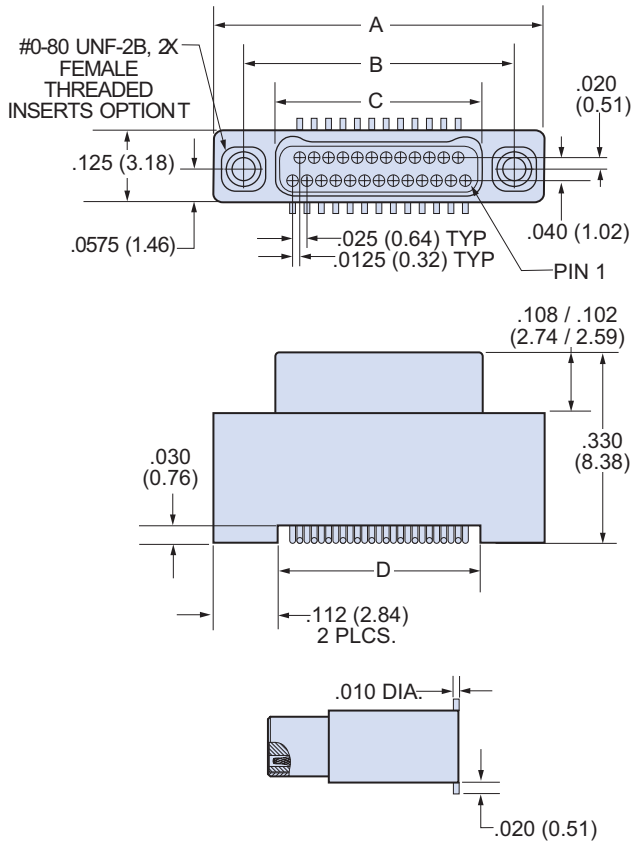
| | |
|---------------------------|----------------------------|
| Durability | 200 Cycles Minimum |
| Current Rating | 1 AMP Maximum |
| Voltage Rating (DWV) | 300 VAC RMS Sea Level |
| Insulation Resistance | 5000 Megohms Minimum |
| Operating Temperature | -55° C. to +125° C. |
| Contact Resistance | 71 mV. @1 AMP #30 AWG Wire |
| Thermal Vacuum Outgassing | 1.0% Max TML, 0.1% Max. |

Series 89 Nanominiature Connectors Two Row Vertical Surface Mount 891-010 and -011

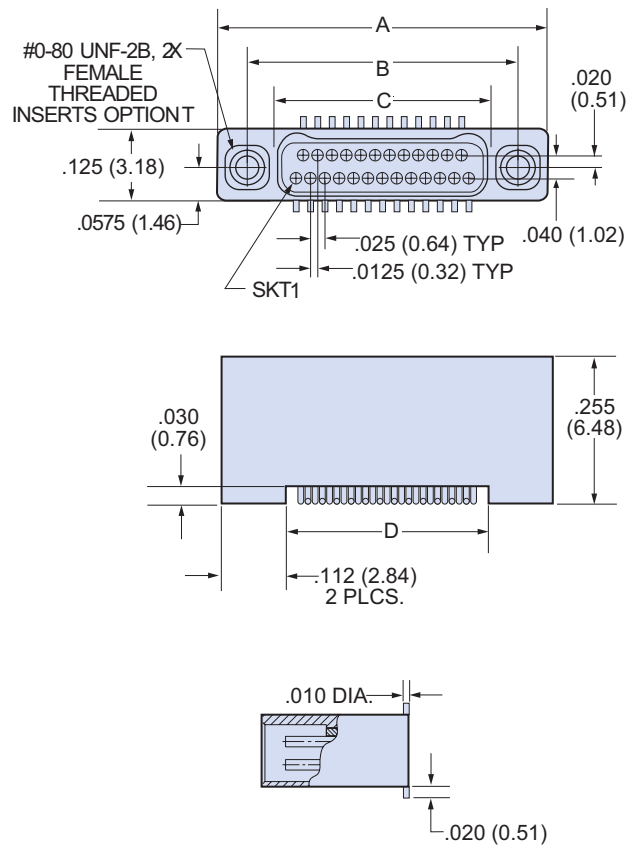


TWO ROW VERTICAL SURFACE MOUNT NANO DIMENSIONS

Plug (Pin) Connectors



Receptacle (Socket) Connectors



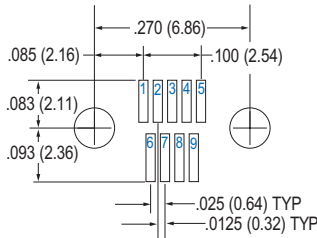
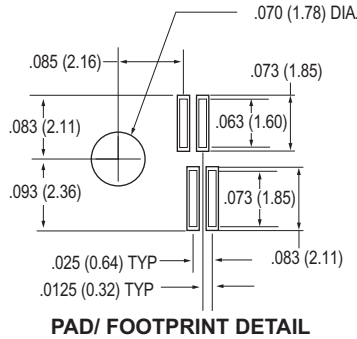
| Layout | A | | B BSC. | | C BSC. | | D | |
|--------|------|-------|--------|-------|--------|-------|------------|------------|
| | In. | mm. | In. | mm. | In. | mm. | In. ± .005 | mm. ± 0.13 |
| 9P | .375 | 9.52 | .270 | 6.86 | .160 | 4.06 | .152 | 3.86 |
| 9S | .375 | 9.52 | .270 | 6.86 | .163 | 4.14 | .152 | 3.86 |
| 15P | .450 | 11.43 | .345 | 8.76 | .235 | 5.97 | .227 | 5.77 |
| 15S | .450 | 11.43 | .345 | 8.76 | .238 | 6.04 | .227 | 5.77 |
| 21P | .525 | 13.33 | .420 | 10.67 | .310 | 7.87 | .302 | 7.67 |
| 21S | .525 | 13.33 | .420 | 10.67 | .313 | 7.95 | .302 | 7.67 |
| 25P | .575 | 14.60 | .470 | 11.94 | .360 | 9.14 | .352 | 8.94 |
| 25S | .575 | 14.60 | .470 | 11.94 | .363 | 9.22 | .352 | 8.94 |
| 31P | .650 | 16.51 | .545 | 13.84 | .435 | 11.05 | .427 | 10.85 |
| 31S | .650 | 16.51 | .545 | 13.84 | .438 | 11.12 | .427 | 10.85 |
| 37P | .725 | 18.41 | .620 | 15.75 | .510 | 12.95 | .502 | 12.75 |
| 37S | .725 | 18.41 | .620 | 15.75 | .513 | 13.03 | .502 | 12.75 |
| 51P | .900 | 22.86 | .795 | 20.19 | .685 | 17.40 | .677 | 17.20 |
| 51S | .900 | 22.86 | .795 | 20.19 | .688 | 17.47 | .677 | 17.20 |



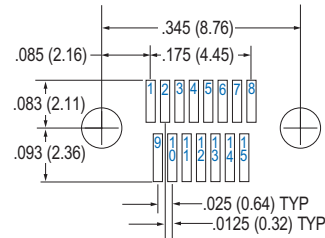
Series 89 Nanominiature Connectors Two Row Vertical Surface Mount 891-010 and -011

Patterns shown are for connector mounting side of PC Board.

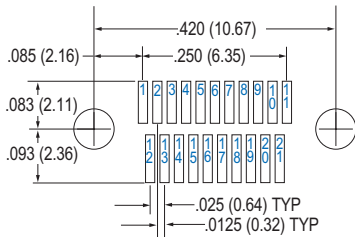
TWO ROW VERTICAL SURFACE MOUNT BOARD LAYOUT—891-010 PLUGS (PIN CONTACTS)



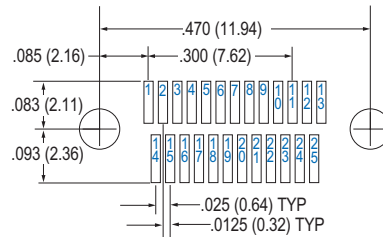
9 Contacts



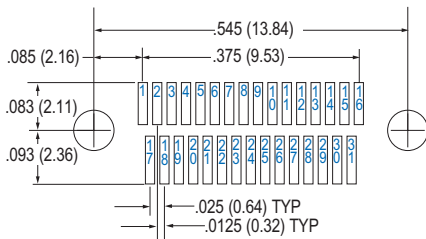
15 Contacts



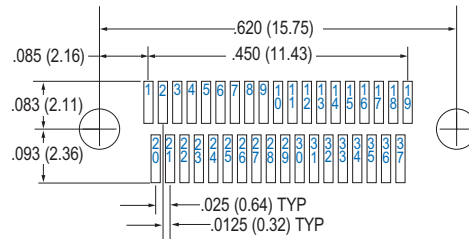
21 Contacts



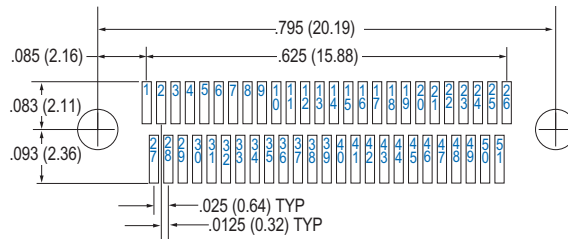
25 Contacts



31 Contacts



37 Contacts



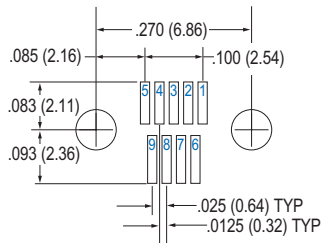
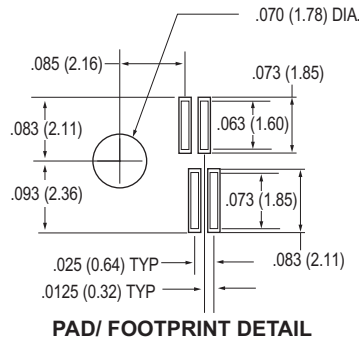
51 Contacts

Series 89 Nanominiature Connectors Two Row Vertical Surface Mount 891-010 and -011

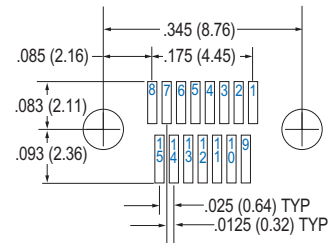


Patterns shown are for connector mounting side of PC Board.

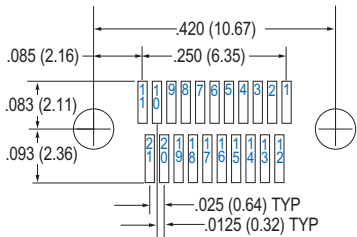
TWO ROW VERTICAL SURFACE MOUNT BOARD LAYOUT—891-011 RECEPTACLES



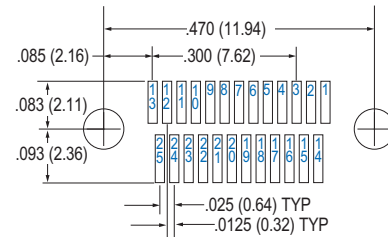
9 Contacts



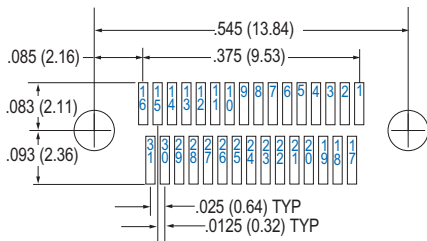
15 Contacts



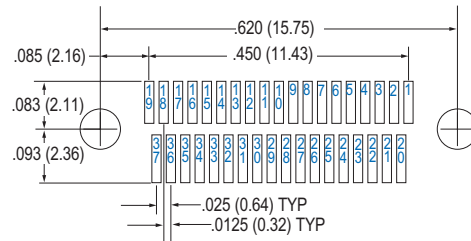
21 Contacts



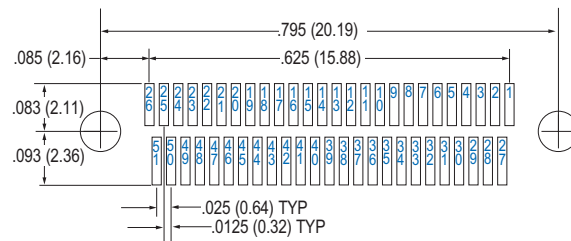
25 Contacts



31 Contacts



37 Contacts



51 Contacts