

MIL-STD-1553

DATABUS INTERFACE TRANSFORMERS

LOW PROFILE SINGLE & DUAL RATIO

(Add “+” to end of P/N for RoHS Compliance)

- | | |
|---|--|
| <ul style="list-style-type: none"> ① Designed to Meet MIL-STD-1553 A/B & MIL-PRF-21038 ② Common Mode Rejection (CMR) greater than 45dB ③ Impedance Test Frequency from 75KHz to 1MHz | <ul style="list-style-type: none"> ④ Droop less than 20% ⑤ Overshoot & Ringing ±1V Max ⑥ Pulse Width 2 μs |
|---|--|

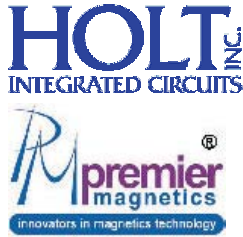
ELECTRICAL SPECIFICATIONS AT 25°C - OPERATING TEMPERATURE RANGE -55°C TO +125°C

PART NUMBER	TERMINALS / RATIO		TERMINALS / RATIO		DCR (Ohms Max.)	IMPEDANCE (Ohms MIN.)	SCHEMATICS / PACKAGE
PM-DB2701	1-3:4-8	1:1	1-3:5-7	1:.707	1-3=3.0, 4-8=3.0	4000	1/A
PM-DB2701EX	1-3:4-8	1:1	1-3:5-7	1:.707	1-3=3.0, 4-8=3.0	4000	1/G
PM-DB2702	1-3:4-8	1.4:1	1-3:5-7	2:1	1-3=3.5, 4-8=3.0	7200	1/A
PM-DB2703	1-3:4-8	1.25 : 1	1-3:5-7	1.66:1	1-3=3.2, 4-8=3.0	4000	1/A
PM-DB2704	4-8:1-3	2.3:1	5-7:1-3	3.2:1	1-3=1.2, 4-8=3.0	3000	4/A
PM-DB2705	1-2:4-3	1:1.41	---	---	1-2=2.2, 3-4=2.7	3000	3/C
PM-DB2705EX	1-2:3-4	1:1.41	---	---	1-2=2.2, 3-4=2.7	3000	5/C
PM-DB2706	1-5:6-2	1:1	---	---	1-5=2.5, 6-2=2.8	3000	2/B
PM-DB2707	1-5:6-2	1:1.41	---	---	1-5=2.2, 6-2=2.7	3000	2/B
PM-DB2708	1-5:6-2	1:1.66	---	---	1-5=1.5, 6-2=2.4	3000	2/B
PM-DB2709	1-5:6-2	1:2	---	---	1-5=1.3, 6-2=2.6	3000	2/B
PM-DB2710	1-3:4-8	1:2.12	1-3:5-7	1:1.5	1-3=1.0, 4-8=3.5	4000	1/A
PM-DB2711	1-3:4-8	1:1	1-3:5-7	1:.707	1-3=3.0, 4-8=3.0	4000	1/D
PM-DB2712	1-3:4-8	1.4:1	1-3:5-7	2.1:1	1-3=3.5, 4-8=3.0	7200	1/D
PM-DB2713	1-3:4-8	1.25:1	1-3:5-7	1.66:1	1-3=3.2, 4-8=3.0	4000	1/D
PM-DB2714	4-8:1-3	2.3:1	5-7:1-3	3.2:1	1-3=1.2, 4-8=3.0	3000	4/D
PM-DB2715	1-3:4-8	1:2.12	1-3:5-7	1:1.5	1-3=1.0, 4-8=3.5	4000	1/D
PM-DB2716	1-3:4-8	1:1	1-3:5-7	1:.707	1-3=3.0, 4-8=3.0	4000	1/E
PM-DB2717	1-3:4-8	1.41:1	1-3:5-7	2:1	1-3=3.5, 4-8=3.0	7200	1/E
PM-DB2718	1-3:4-8	1.25:1	1-3:5-7	1.66:1	1-3=3.2, 4-8=3.0	4000	1/E
PM-DB2719	4-8:1-3	2.3:1	5-7:1-3	3.26:1	1-3=1.2, 4-8=3.0	3000	1/E
PM-DB2720	1-3:4-8	1:2.12	1-3:5-7	1:1.5	1-3=1.0, 4-8=3.5	3000	1/E
PM-DB2721	Same as PM-DB2701						
PM-DB2722	Same as PM-DB2702						
PM-DB2723	Same as PM-DB2703						
PM-DB2724	Same as PM-DB2710						
PM-DB2725	1-3:4-8	1:2.5	1-3:5-7	1:1.79	1-3=1.0, 4-8=3.5	4000	1/A
PM-DB2725EX	1-3:4-8	1:2.5	1-3:5-7	1:1.79	1-3=1.0, 4-8=3.5	4000	1/G
PM-DB2726	Same as PM-DB2725						
PM-DB2727	1-3:4-8	1:2.5	1-3:5-7	1:1.79	1-3=1.0, 4-8=3.5	4000	1/D
PM-DB2728	1-5:6-2	1:1.5	---	---	1-5=0.9, 6-2=2.5	3000	2/B
PM-DB2729	1-5:6-2	1:1.79	---	---	1-5=0.9, 6-2=2.5	3000	2/B
PM-DB2730	1-5:6-2	1:2.5	---	---	1-5=1.0, 6-2=2.8	3000	2/B
PM-DB2731	1-3:4-8	1:2.5	1-3:5-7	1:1.79	1-3=1.0, 4-8=3.5	4000	1/E
PM-DB2755	1-3:4-8	1:3.75	1-3:5-7	1:2.70	1-3=1.0, 4-8=4.0	4000	1/G
PM-DB2759 (1)	1-5:6-2	1:1.79	---	---	1-5=0.9, 6-2=2.5	3000	2/U
PM-DB2760 (1)	1-5:6-2	1:2.5	---	---	1-5=1.0, 6-2=2.8	3000	2/U

(1) Operating Temperature Range from -40°C to +130°C

NOTE: Premier Magnetics 1553 Transformers are offered exclusively by Holt Integrated Circuits.

Specifications subject to change without notice.



MIL-STD-1553
DATABUS INTERFACE TRANSFORMERS
LOW PROFILE SINGLE CORE, DUAL RATIO
 (Add “+” to end of P/N for RoHS Compliance)

LOW PROFILE SINGLE CORE, DUAL RATIO HT = 0.155"

PART NUMBER	TERMINALS / RATIO		TERMINALS / RATIO		DCR (Ohms Max.)	IMPEDANCE (Ohms MIN.)	SCHEMATICS / PACKAGE
PM-DB2741	1-3:4-8	1:1	1-3:5-7	1:1.707	1-3=3.0, 4-8=3.0	4000	1/K
PM-DB2742	1-3:4-8	1.4:1	1-3:5-7	2:1	1-3=3.5, 4-8=3.0	7200	1/K
PM-DB2743	1-3:4-8	1.25:1	1-3:5-7	1.66:1	1-3=3.2, 4-8=3.0	4000	1/K
PM-DB2744	1-3:4-8	1:2.12	1-3:5-7	1:1.5	1-3=1.0, 4-8=3.5	4000	1/K
PM-DB2745	1-3:4-8	1:2.5	1-3:5-7	1:1.79	1-3=1.0, 4-8=3.5	4000	1/K

PART NUMBER	TERMINALS / RATIO		TERMINALS / RATIO		DCR (Ohms Max.)	IMPEDANCE (Ohms MIN.)	SCHEMATICS / PACKAGE
PM-DB2741L	1-3:4-8	1:1	1-3:5-7	1:1.707	1-3=3.0, 4-8=3.0	4000	1/L
PM-DB2742L	1-3:4-8	1.4:1	1-3:5-7	2:1	1-3=3.5, 4-8=3.0	7200	1/L
PM-DB2743L	1-3:4-8	1.25:1	1-3:5-7	1.66:1	1-3=3.2, 4-8=3.0	4000	1/L
PM-DB2744L	1-3:4-8	1:2.12	1-3:5-7	1:1.5	1-3=1.0, 4-8=3.5	4000	1/L
PM-DB2745L	1-3:4-8	1:2.5	1-3:5-7	1:1.79	1-3=1.0, 4-8=3.5	4000	1/L

PART NUMBER	TERMINALS / RATIO		TERMINALS / RATIO		DCR (Ohms Max.)	IMPEDANCE (Ohms MIN.)	SCHEMATICS / PACKAGE
PM-DB2741M	1-3:4-8	1:1	1-3:5-7	1:1.707	1-3=3.0, 4-8=3.0	4000	1/M
PM-DB2742M	1-3:4-8	1.4:1	1-3:5-7	2:1	1-3=3.5, 4-8=3.0	7200	1/M
PM-DB2743M	1-3:4-8	1.25:1	1-3:5-7	1.66:1	1-3=3.2, 4-8=3.0	4000	1/M
PM-DB2744M	1-3:4-8	1:2.12	1-3:5-7	1:1.5	1-3=1.0, 4-8=3.5	4000	1/M
PM-DB2745M	1-3:4-8	1:2.5	1-3:5-7	1:1.79	1-3=1.0, 4-8=3.5	4000	1/M

PART NUMBER	TERMINALS / RATIO		TERMINALS / RATIO		DCR (Ohms Max.)	IMPEDANCE (Ohms MIN.)	SCHEMATICS / PACKAGE
PM-DB2741N	1-3:4-8	1:1	1-3:5-7	1:1.707	1-3=3.0, 4-8=3.0	4000	1/N
PM-DB2742N	1-3:4-8	1.4:1	1-3:5-7	2:1	1-3=3.5, 4-8=3.0	7200	1/N
PM-DB2743N	1-3:4-8	1.25:1	1-3:5-7	1.66:1	1-3=3.2, 4-8=3.0	4000	1/N
PM-DB2744N	1-3:4-8	1:2.12	1-3:5-7	1:1.5	1-3=1.0, 4-8=3.5	4000	1/N
PM-DB2745N	1-3:4-8	1:2.5	1-3:5-7	1:1.79	1-3=1.0, 4-8=3.5	4000	1/N

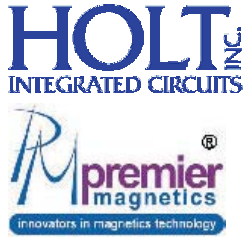
PART NUMBER	TERMINALS / RATIO		TERMINALS / RATIO		DCR (Ohms Max.)	IMPEDANCE (Ohms MIN.)	SCHEMATICS / PACKAGE
PM-DB27100	Same as PM-DB2745M						
PM-DB27101	1-3:4-8	1:2.5	1-3:5-7	1:1.79	1-3=1.0, 4-8=3.5	4000	1/W

NOTE: Premier Magnetics 1553 Transformers are offered exclusively by Holt Integrated Circuits.

Specifications subject to change without notice.

23351 Madero, Mission Viejo, CA 92691-2730 • TEL: (949) 859-8800 • FAX: (949) 859-9643 • E-MAIL: info@holtic.com

www.holtic.com



MIL-STD-1553
DATABUS INTERFACE TRANSFORMERS
LOW PROFILE DUAL CORE, DUAL RATIO
 (Add “+” to end of P/N for RoHS Compliance)

LOW PROFILE DUAL CORE, DUAL RATIO HT= 0.155”

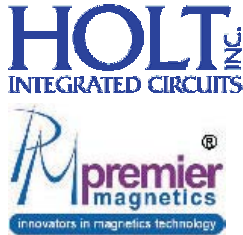
PART NUMBER	TERMINALS / RATIO		TERMINALS / RATIO		DCR (Ohms Max.)	IMPEDANCE (Ohms MIN.)	SCHEMATICS / PACKAGE
	1-3:16-13	1:1	1-3:15-14	1:1.707			
PM-DB2741D	1-3:16-13	1:1	1-3:15-14	1:1.707	1-3=3.0, 16-13=3.0	4000	6/R
	5-7:12-9	1:1	5-7:11-10	1:1.707	5-7=3.0, 12-9=3.0	4000	
PM-DB2742D	1-3:16-13	1.4:1	1-3:15-14	2:1	1-3=3.5, 16-13=3.0	7200	6/R
	5-7:12-9	1.4:1	5-7:11-10	2:1	5-7=3.5, 12-9=3.0	7200	
PM-DB2743D	1-3:16-13	1.25:1	1-3:15-14	1.66:1	1-3=3.2, 16-13=3.0	4000	6/R
	5-7:12-9	1.25:1	5-7:11-10	1.66:1	5-7=3.2, 12-9=3.0	4000	
PM-DB2744D	1-3:16-13	1:2.12	1-3:15-14	1:1.5	1-3=1.0, 16-13=3.1	4000	6/R
	5-7:12-9	1:2.12	5-7:11-10	1:1.5	5-7=1.0, 12-9=3.1	4000	
PM-DB2745D	1-3:16-13	1:2.5	1-3:15-14	1:1.79	1-3=1.0, 16-13=3.5	4000	6/R
	5-7:12-9	1:2.5	5-7:11-10	1:1.79	5-7=1.0, 12-9=3.5	4000	

PART NUMBER	TERMINALS / RATIO		TERMINALS / RATIO		DCR (Ohms Max.)	IMPEDANCE (Ohms MIN.)	SCHEMATICS / PACKAGE
	1-3:16-13	1:1	1-3:15-14	1:1.707			
PM-DB2741S	1-3:16-13	1:1	1-3:15-14	1:1.707	1-3=3.0, 16-13=3.0	4000	6/S
	5-7:12-9	1:1	5-7:11-10	1:1.707	5-7=3.0, 12-9=3.0	4000	
PM-DB2742S	1-3:16-13	1.4:1	1-3:15-14	2:1	1-3=3.5, 16-13=3.0	7200	6/S
	5-7:12-9	1.4:1	5-7:11-10	2:1	5-7=3.5, 12-9=3.0	7200	
PM-DB2743S	1-3:16-13	1.25:1	1-3:15-14	1.66:1	1-3=3.2, 16-13=3.0	4000	6/S
	5-7:12-9	1.25:1	5-7:11-10	1.66:1	5-7=3.2, 12-9=3.0	4000	
PM-DB2744S	1-3:16-13	1:2.12	1-3:15-14	1:1.5	1-3=1.0, 16-13=3.1	4000	6/S
	5-7:12-9	1:2.12	5-7:11-10	1:1.5	5-7=1.0, 12-9=3.1	4000	
PM-DB2745S	1-3:16-13	1:2.5	1-3:15-14	1:1.79	1-3=1.0, 16-13=3.5	4000	6/S
	5-7:12-9	1:2.5	5-7:11-10	1:1.79	5-7=1.0, 12-9=3.5	4000	
PM-DB2785S (1)	1-3:16-13	1:2.5	1-3:15-14	1:1.79	1-3=1.0, 16-13=3.5	4000	6/S
	5-7:12-9	1:2.5	5-7:11-10	1:1.79	5-7=1.0, 12-9=3.5	4000	

(1) Same as PM-DB-2745S except meets 1500KV Hi-Pot requirements

NOTE: Premier Magnetics 1553 Transformers are offered exclusively by Holt Integrated Circuits.

Specifications subject to change without notice.



MIL-STD-1553
DATABUS INTERFACE TRANSFORMERS
LOW PROFILE SINGLE & DUAL RATIO
 (Add “+” to end of P/N for RoHS Compliance)

LOW PROFILE SINGLE CORE, SINGLE & DUAL RATIO HT = 0.185"

PART NUMBER	TERMINALS / RATIO		TERMINALS / RATIO		DCR (Ohms Max.)	IMPEDANCE (Ohms MIN.)	SCHEMATICS / PACKAGE
PM-DB2790S	1-3:4-8	1:3.75	---	---	1-3=.25, 4-8=3.0	4000	9/V
PM-DB2791S	1-3:4-8	1:2.5	---	---	1-3=1.5, 4-8=3.0	3000 (1) 4000 (2)	9/V
PM-DB2795S	1-3:5-7	1:1.79	---	---	1-3=1.5, 5-7=2.5	2000 (1) 4000 (2)	10/V
PM-DB2798S	1-3:4-8	1:2.5	1-3:5-7	1:1.79	1-3=2.0, 4-8=3.5	2000 (1) 4000 (2)	11/V

(1) Impedance at 75K Hz to 249 KHz
 (2) Impedance at 250 KHz to 1MHz

LOW PROFILE DUAL CORE, DUAL RATIO HT= 0.155"

PART NUMBER	TERMINALS / RATIO		TERMINALS / RATIO		DCR (Ohms Max.)	IMPEDANCE (Ohms MIN.)	SCHEMATICS / PACKAGE
PM-DB2741T	1-3:16-13	1:1	1-3:15-14	1:.707	1-3=3.0, 16-13=3.0	4000	6/T
	5-7:12-9	1:1	5-7:11-10	1:.707	5-7=3.0, 12-9=3.0	4000	
PM-DB2742T	1-3:16-13	1.4:1	1-3:15-14	2:1	1-3=3.5, 16-13=3.0	7200	6/T
	5-7:12-9	1.4:1	5-7:11-10	2:1	5-7=3.5, 12-9=3.0	7200	
PM-DB2743T	1-3:16-13	1.25:1	1-3:15-14	1.66:1	1-3=3.2, 16-13=3.0	4000	6/T
	5-7:12-9	1.25:1	5-7:11-10	1.66:1	5-7=3.2, 12-9=3.0	4000	
PM-DB2744T	1-3:16-13	1:2.12	1-3:15-14	1:1.5	1-3=1.0, 16-13=3.1	4000	6/T
	5-7:12-9	1:2.12	5-7:11-10	1:1.5	5-7=1.0, 12-9=3.1	4000	
PM-DB2745T	1-3:16-13	1:2.5	1-3:15-14	1:1.79	1-3=1.0, 16-13=3.5	4000	6/T
	5-7:12-9	1:2.5	5-7:11-10	1:1.79	5-7=1.0, 12-9=3.5	4000	
PM-DB27200	Same as PM-DB2745T						
PM-DB27255	1-3:16-13	1:2.5	1-3:15-14	1:1.79	1-3=1.0, 16-13=3.5	4000	6X
	5-7:12-9	1:2.5	5-7:11-10	1:1.79	5-7=1.0, 12-9=3.5	4000	

NOTE: Premier Magnetics 1553 Transformers are offered exclusively by Holt Integrated Circuits.

Specifications subject to change without notice.

MIL-STD-1553 DATABUS INTERFACE TRANSFORMERS STACKED DUAL

(Add “+” to end of P/N for RoHS Compliance)

STACKED DUAL RATIO HT= 0.250”

PART NUMBER	TERMINALS / RATIO		TERMINALS / RATIO		DCR (Ohms Max.)	IMPEDANCE (Ohms MIN.)	SCHEMATICS / PACKAGE
PM-DB27401	1-3:4-8	2:5	1-3:5-7	4:7	1-3=3.5, 4-8=3.0	3000	7/H
	11-13:14-18	2:5	11-13:15-17	4:7	11-13=3.5, 14-18=3.0	3000	(.250)
PM-DB27402	1-3:4-8	1:0.083	1-3:5-7	1:0.60	1-3=3.0, 4-8=3.0	3000	7/H
	11-13:14-18	1:0.083	11-13:15-17	1:0.60	11-13=3.0, 14-18=3.0	3000	(.250)
PM-DB27403	1-3:4-8	1.4:1	1-3:5-7	2:1	1-3=3.5, 4-8=3.0	7200	7/H
	11-13:14-18	1.4:1	11-13:15-17	2:1	11-13=3.5, 14-18=3.0	7200	(.250)
PM-DB27404	1-3:4-8	1:1	1-3:5-7	1:0.707	1-3=3.0, 4-8=3.0	4000	7/H
	11-13:14-18	1:1	11-13:15-17	1:0.707	11-13=3.0, 14-18=3.0	4000	(.250)
PM-DB27405	1-3:4-8	1.25:1	1-3:5-7	1.66:1	1-3=3.2, 4-8=3.0	4000	7/H
	11-13:14-18	1.25:1	11-13:15-17	1.66:1	11-13=3.2, 14-18=3.0	4000	(.250)
PM-DB27406	4-8:1-3	2.3:1	5-7:1-3	3.2:1	1-3=1.2, 5-7=3.0	3000	8/H
	14-18:11-13	2.3:1	15-17:11-13	3.2:1	11-13=1.2, 15-17=3.0	3000	(.250)
PM-DB27407	4-8:1-3	2.12:1	5-7:1-3	1.5:1	1-3=1.1, 4-8=3.0	4000	7/H
	14-18:11-13	2.12:1	15-17:11-13	1.5:1	11-13=1.1, 14-18=3.0	4000	(.250)
PM-DB27408	1-3:4-8	1:2.5	1-3:5-7	1:1.79	1-3=1.0, 4-8=3.5	4000	7/H
	11-13:14-18	1:2.5	11-13:15-17	1:1.79	11-13=1.0, 14-18=3.5	4000	(.250)

STACKED DUAL RATIO HT= 0.320”

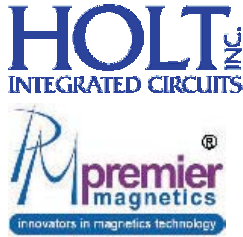
PART NUMBER	TERMINALS / RATIO		TERMINALS / RATIO		DCR (Ohms Max.)	IMPEDANCE (Ohms MIN.)	SCHEMATICS / PACKAGE
PM-DB27411	1-3:4-8	2:5	1-3:5-7	4:7	1-3=3.5, 4-8=3.0	3000	7/H
	11-13:14-18	2:5	11-13:15-17	4:7	11-13=3.5, 14-18=3.0	3000	(.320)
PM-DB27412	1-3:4-8	1:0.083	1-3:5-7	1:0.60	1-3=3.0, 4-8=3.0	3000	7/H
	11-13:14-18	1:0.083	11-13:15-17	1:0.60	11-13=3.0, 14-18=3.0	3000	(.320)
PM-DB27413	1-3:4-8	1.4:1	1-3:5-7	2:1	1-3=3.5, 4-8=3.0	7200	7/H
	11-13:14-18	1.4:1	11-13:15-17	2:1	11-13=3.5, 14-18=3.0	7200	(.320)
PM-DB27414	1-3:4-8	1:1	1-3:5-7	1:0.707	1-3=3.0, 4-8=3.0	4000	7/H
	11-13:14-18	1:1	11-13:15-17	1:0.707	11-13=3.0, 14-18=3.0	4000	(.320)
PM-DB27415	1-3:4-8	1.25:1	1-3:5-7	1.66:1	1-3=3.2, 4-8=3.0	4000	7/H
	11-13:14-18	1.25:1	11-13:15-17	1.66:1	11-13=3.2, 14-18=3.0	4000	(.320)
PM-DB27416	4-8:1-3	2.3:1	5-7:1-3	3.2:1	1-3=1.2, 5-7=3.0	3000	8/H
	14-18:11-13	2.3:1	15-17:11-13	3.2:1	11-13=1.2, 15-17=3.0	3000	(.320)
PM-DB27417	4-8:1-3	2.12:1	5-7:1-3	1.5:1	1-3=1.1, 4-8=3.0	4000	7/H
	14-18:11-13	2.12:1	15-17:11-13	1.5:1	11-13=1.1, 14-18=3.0	4000	(.320)
PM-DB27418	1-3:4-8	1:2.5	1-3:5-7	1:1.79	1-3=1.0, 4-8=3.5	4000	7/H
	11-13:14-18	1:2.5	11-13:15-17	1:1.79	11-13=1.0, 14-18=3.5	4000	(.320)

NOTE: Premier Magnetics 1553 Transformers are offered exclusively by Holt Integrated Circuits.

Specifications subject to change without notice.

23351 Madero, Mission Viejo, CA 92691-2730 • TEL: (949) 859-8800 • FAX: (949) 859-9643 • E-MAIL: info@holtic.com

www.holtic.com



MIL-STD-1553
DATABUS INTERFACE TRANSFORMERS
STACKED DUAL CORE, SINGLE RATIO
 (Add “+” to end of P/N for RoHS Compliance)

STACKED DUAL CORE, SINGLE RATIO HT = 0.32" MAX

PART NUMBER	TERMINALS / RATIO		TERMINALS / RATIO		DCR (Ohms Max.)		IMPEDANCE (Ohms MIN.)	SCHEMATICS / PACKAGE
					1-2=	10-9=		
PM-DB2761	1-2:10-9	1:3.75	4-5:7-6	1:3.75	1-2=0.3, 10-9=3.0	4000	12/Y	
					4-5=0.3, 7-6=3.0			
PM-DB2762	1-2:10-9	1:2.5	4-5:7-6	1:2.5	1-2=1.5, 10-9=3.5	3000(1)	12/Y	
					4-5=1.5, 7-6=3.5	4000(2)		
PM-DB2763	1-2:10-9	1.25:1	4-5:7-6	1.25:1	1-2=2.4, 10-9=1.5	3000(1)	12/Y	
					4-5=2.4, 7-6=1.5	4000(2)		
PM-DB2764	1-2:10-9	1.41:1	4-5:7-6	1.41:1	1-2=2.7, 10-9=2.2	5000(1)	12/Y	
					4-5=2.7, 7-6=2.2	7200(2)		
PM-DB2765	1-2:10-9	1:2.70	4-5:7-6	1:2.70	1-2=0.3, 10-9=2.0	2000(1)	12/Y	
					4-5=0.3, 7-6=2.0	3000(2)		
PM-DB2766	1-2:10-9	1:1.79	4-5:7-6	1:1.79	1-2=1.5, 10-9=2.5	2000(1)	12/Y	
					4-5=1.5, 7-6=2.5	4000(2)		
PM-DB2767	1-2:10-9	1.66:1	4-5:7-6	1.66:1	1-2=2.4, 10-9=1.5	3000(1)	12/Y	
					4-5=2.4, 7-6=1.5	4000(2)		
PM-DB2768	1-2:10-9	2:1	4-5:7-6	2:1	1-2=2.5, 10-9=1.3	5000(1)	12/Y	
					4-5=2.5, 7-6=1.3	7200(2)		

(1) Impedance at 75 KHz to 249 KHz

(2) Impedance at 250 KHz to 1MHz

Specifications subject to change without notice.

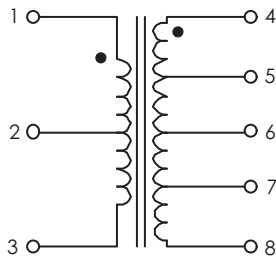
23351 Madero, Mission Viejo, CA 92691-2730 • TEL: (949) 859-8800 • FAX: (949) 859-9643 • E-MAIL: info@holtic.com

www.holtic.com

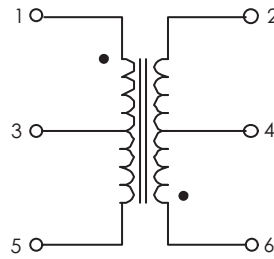
MIL-STD-1553
DATABUS INTERFACE TRANSFORMERS
LOW PROFILE SINGLE / DUAL RATIO
(Add “+” to end of P/N for RoHS Compliance)

SCHEMATICS

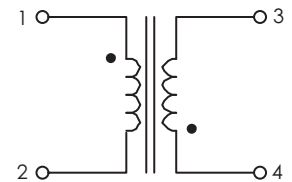
SCHEMATIC “1”



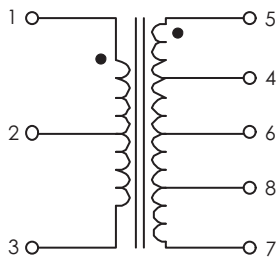
SCHEMATIC “2”



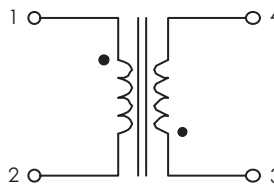
SCHEMATIC “3”



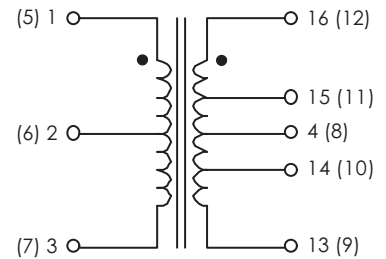
SCHEMATIC “4”



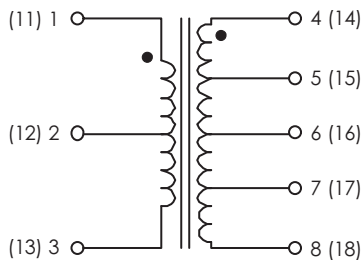
SCHEMATIC “5”



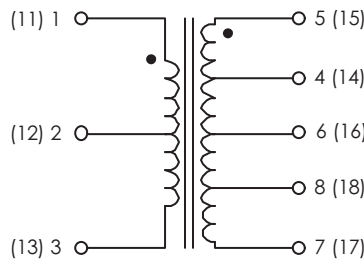
SCHEMATIC “6”



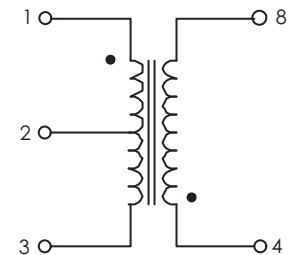
SCHEMATIC “7”



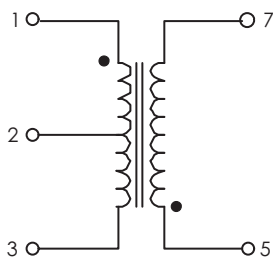
SCHEMATIC “8”



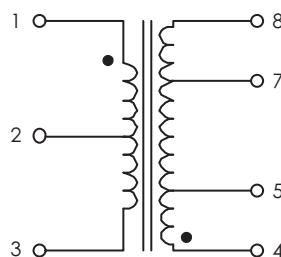
SCHEMATIC “9”



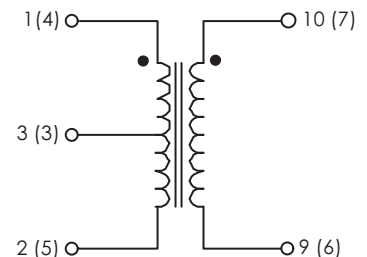
SCHEMATIC “10”



SCHEMATIC “11”



SCHEMATIC “12”



Specifications subject to change without notice.

MIL-STD-1553
DATABUS INTERFACE TRANSFORMERS
LOW PROFILE SINGLE

(Add "+" to end of P/N for RoHS Compliance)

FIGURE # E

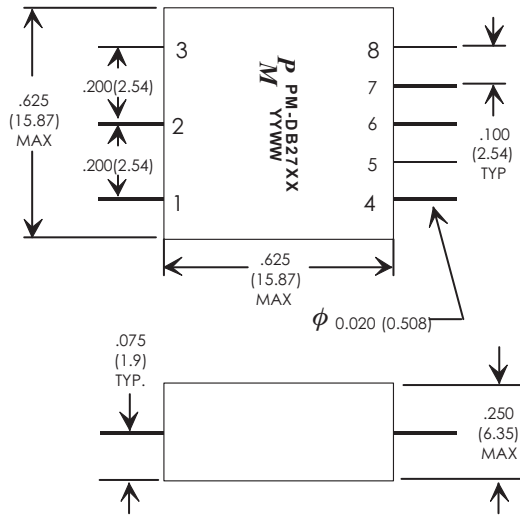


FIGURE # F

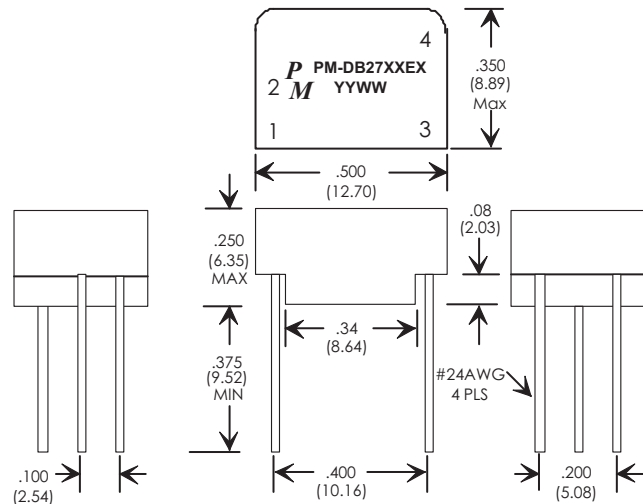
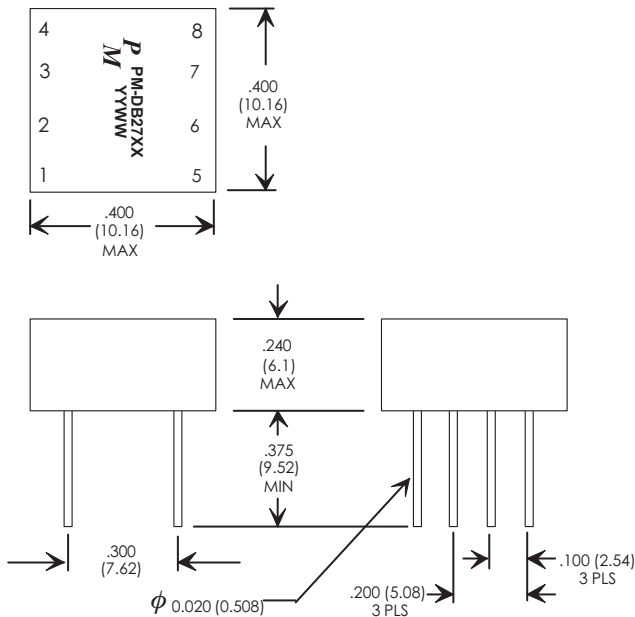


FIGURE # G

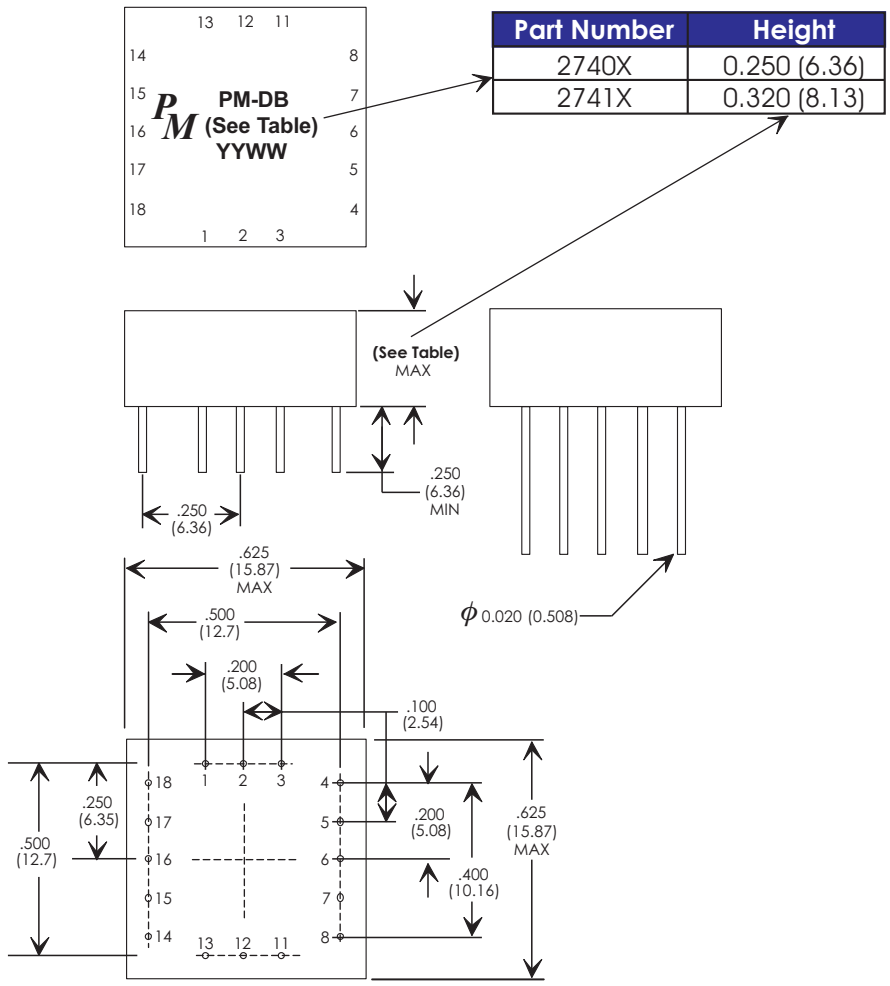


Specifications subject to change without notice.

MIL-STD-1553 DATABUS INTERFACE TRANSFORMERS STACKED DUAL

(Add “+” to end of P/N for RoHS Compliance)

FIGURE # H



Specifications subject to change without notice.

MIL-STD-1553
DATABUS INTERFACE TRANSFORMERS
LOW PROFILE SINGLE
(Add "+" to end of P/N for RoHS Compliance)

FIGURE # K

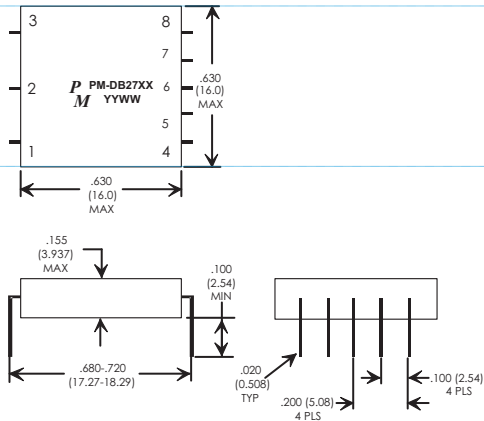


FIGURE # L

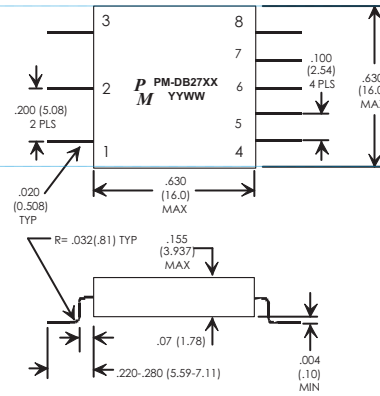


FIGURE # M

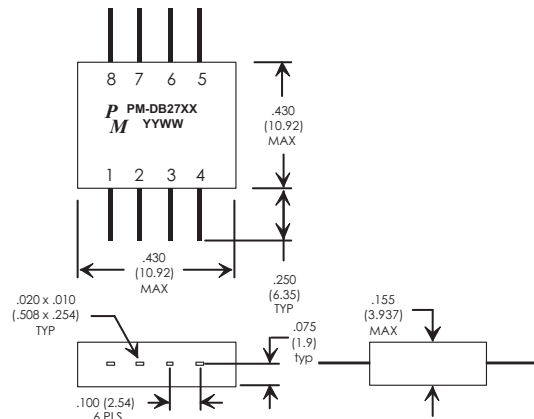


FIGURE # N

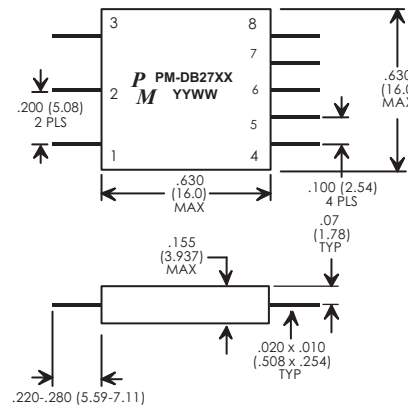


FIGURE # R

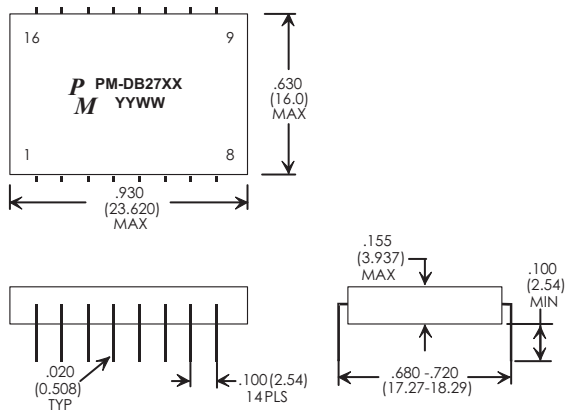
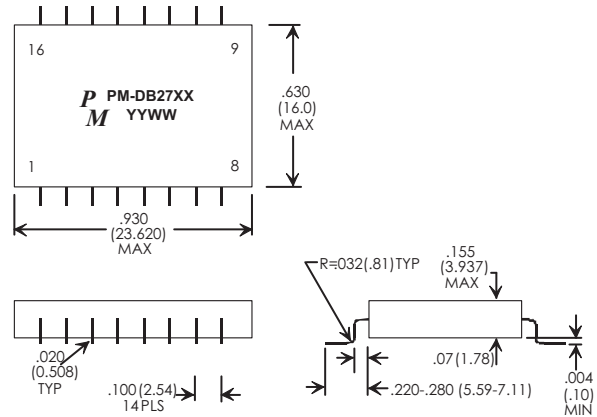


FIGURE # S



Specifications subject to change without notice.

MIL-STD-1553
DATABUS INTERFACE TRANSFORMERS
LOW PROFILE SINGLE & DUAL
(Add “+” to end of P/N for RoHS Compliance)

FIGURE # T

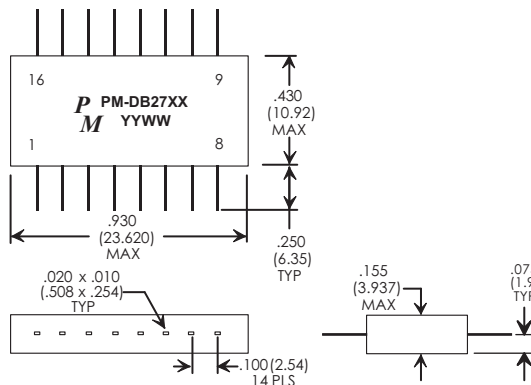


FIGURE # U

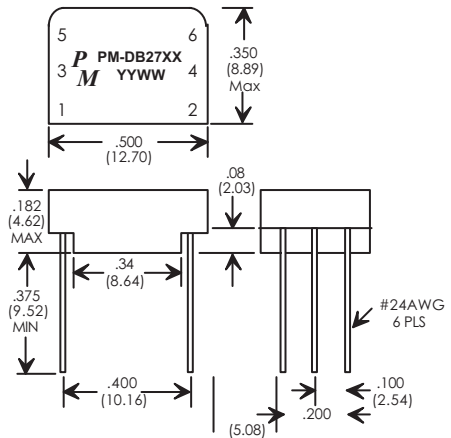


FIGURE # V

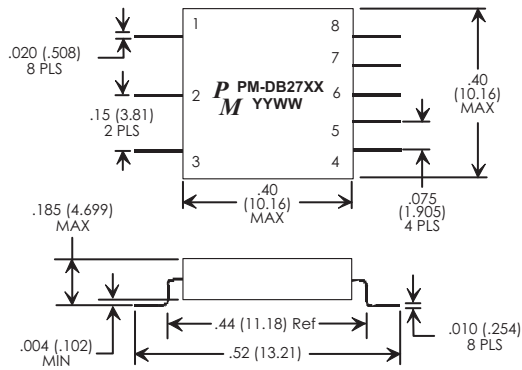


FIGURE # W

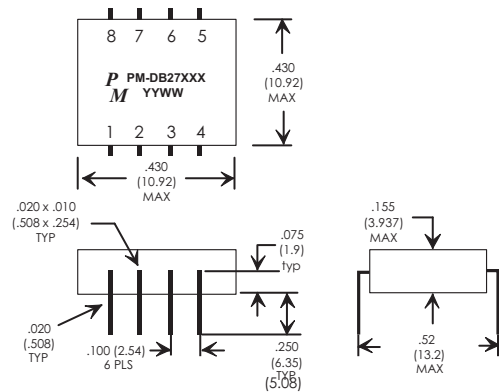


FIGURE # X

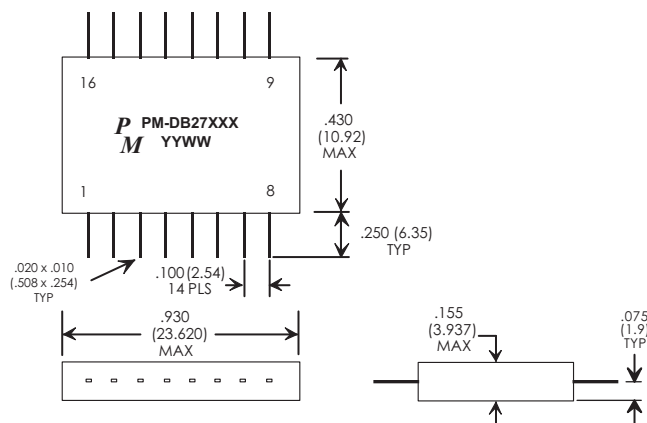
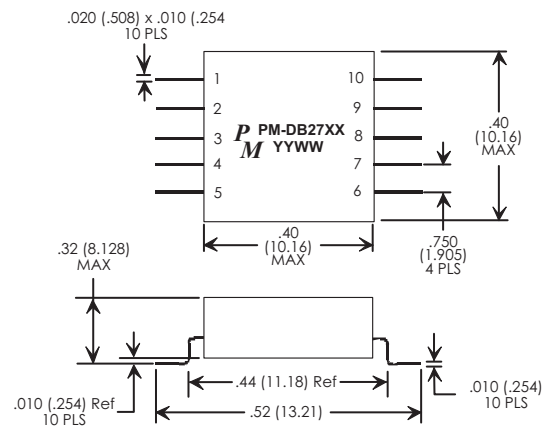


FIGURE # Y



Specifications subject to change without notice.

MIL-STD-1553 DATABUS INTERFACE TRANSFORMERS CROSS REFERENCE

(Add “+” to end of P/N for RoHS Compliance)

CROSS REFERENCE LISTING

<u>PREMIER PART#</u>	<u>X-REF NAME/PART#</u>	<u>PREMIER PART#</u>	<u>X-REF NAME/PART#</u>
	<u>BETA</u>		<u>BETA</u>
PM-DB2701	B-2202	PM-DB2745L	LPB-5015
PM-DB2702	B-2203	PM-DB2741L	LPB-5003
PM-DB2703	B-2204	PM-DB2742L	LPB-5002
PMDB-2704	B-2205	PM-DB2743L	LPB-5004
PM-DB2705	B-2206	PM-DB2744L	LPB-5006
PM-DB2706	B-2207		
PM-DB2707	B-2208	PM-DB2745M	LPB-5014
PM-DB2708	B-2709	PM-DB2741M	LPB-5010
PM-DB2709	B-2210	PM-BD2742M	LPB-5009
PM-DB2710	B-2385	PM-BD2743M	LPB-5011
PM-DB2711	B-2386	PM-BD2744M	LPB-5013
PM-DB2712	B-2387		
PM-DB2713	B-2388	PM-DB2742D	TLP-1215
PM-DB2714	B-2389	PM-DB2743D	TLP-1212
PM-DB2715	B-2390	PM-DB2745D	TLP-1205
PM-DB2716	B-2342		
PM-DB2717	B-2343	PM-DB2742S	TLP-1015
PM-DB2718	B-2344	PM-DB2743S	TLP-1012
PM-DB2719	B-2345	PM-DB2745S	TLP-1005
PM-DB2720	B-2391		
PM-DB2701	B-3221	PM-DB2790S	MLP-2033
PM-DB2702	B-3222	PM-DB2791S	MLP-2005
PM-DB2703	B-3223	PM-DB2795S	MLP-2205
PM-DB2710	B-3224		
PM-DB2725	B-3225	PM-DB2742T	TLP-1115
PM-DB2725	B-3226	PM-DB2743T	TLP-1112
PM-DB2727	B-3227	PM-DB2745T	TLP-1105
PM-DB2728	B-3228		
PM-DB2729	B-3229	PM-DB2761	TSM-2033
PM-DB2730	B-3230	PM-DB2762	TSM-2005
PM-DB2731	B-3231	PM-DB2763	TSM-2012
		PM-DB2764	TSM-2015
		PM-DB2765	TSM-2233
		PM-DB2766	TSM-2205
		PM-DB2767	TSM-2212
		PM-DB2768	TSM-2215

Specifications subject to change without notice.



MIL-STD-1553
DATABUS INTERFACE TRANSFORMERS
REVISION HISTORY

(Add “+” to end of P/N for RoHS Compliance)

REVISION HISTORY

P/N	Rev	Date	Description of Change
DS1553_Trans	B	12/16/08	Added PM-DB2785S, PM-DB2790S, PM-DB2791S, PM-DB2795S, PM-DB2798S, PM-DB27100, PM-DB27101, PM-DB27200, PM-DB27255 part numbers.
	C	11/12/10	Added PM-DB2761, PM-DB2762, PM-DB2763, PM-DB2764, PM-DB2765, PM-DB2766, PM-DB2767 & PM-DB2768 part numbers, schematic and physical dimensions. Updated cross ref. list. Reformatted various tables.
	D	04/21/11	Typographical erro in physical dimensions for Figure #V corrected.

Specifications subject to change without notice.

23351 Madero, Mission Viejo, CA 92691-2730 • TEL: (949) 859-8800 • FAX: (949) 859-9643 • E-MAIL: info@holtic.com

www.holtic.com