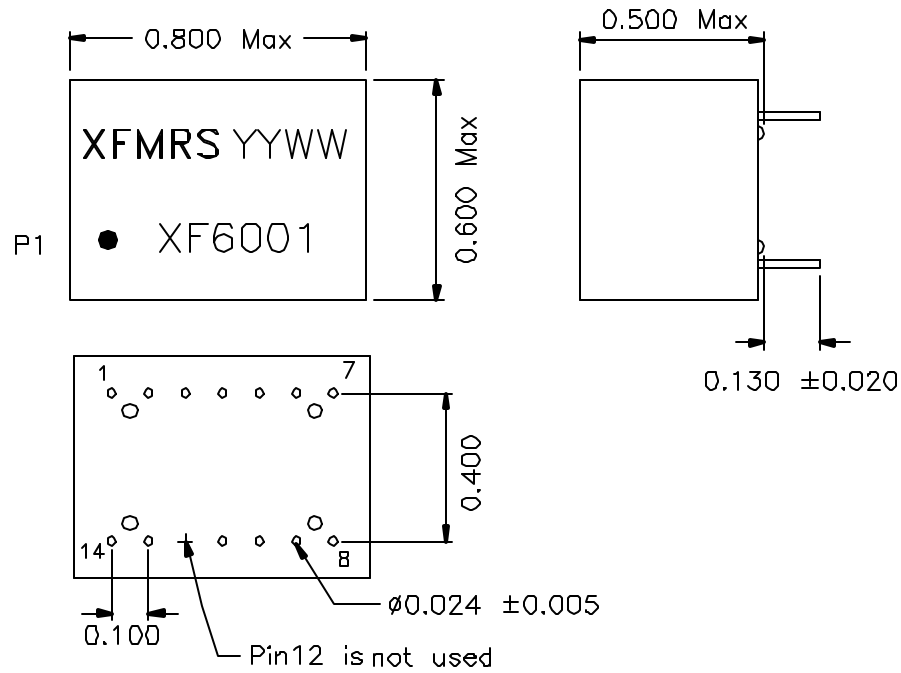
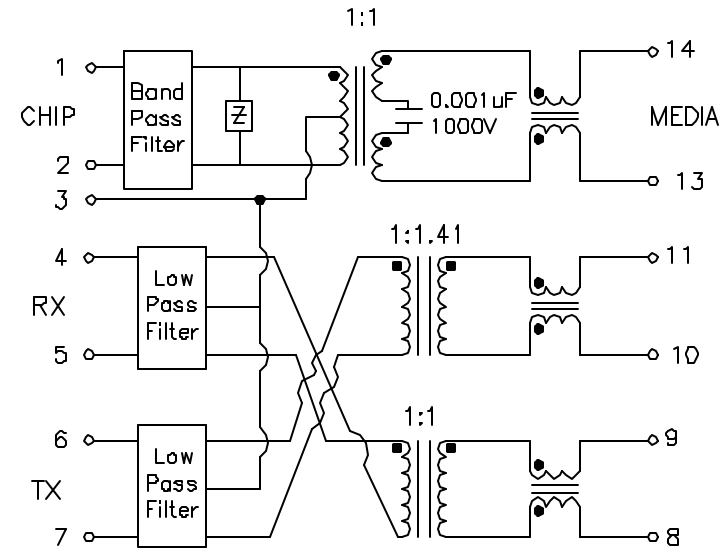


1. Dimensions:



2. Schematic:



3. Electrical Specifications: @25°C

HIPOT: 1500Vrms (Input to Output)
 TUT Passband: @4.25–9.75MHz
 Insertion Loss: @4.25–9.75MHz 2.2dB Max
 Passband ripple: 0.5dB
 Attenuation @1.1MHz 60dB Min
 @22MHz 35dB Min
 @54MHz 60dB Min
 CMRR (common mode to diff.): 40dB Min
 TX Insertion Loss: 0.8–1.8dB @5–10MHz
 Return Loss: 18dB Min @5–10MHz
 Attenuation: 30dB Min @30MHz
 30dB Min @50MHz
 RX Insertion Loss: 1.0dB Max. @5–10MHz
 Return Loss: 18dB Min @5–10MHz

DOC. REV: A/3

XF6001 INC.		Title: HOME PHONE NETWORKING BANDPASS AND 10BASE-T FILTER	
UNLESS OTHERWISE SPECIFIED		P/N: XF6001	REV. A
TOLERANCES: .xxx ±0.010		DWN. 李清儿	Jul-27-99
Dimensions in Inch		CHK. 孙小松	Jul-27-99
SHT 2 OF 2		APP. Joe Huff	Jul-27-99