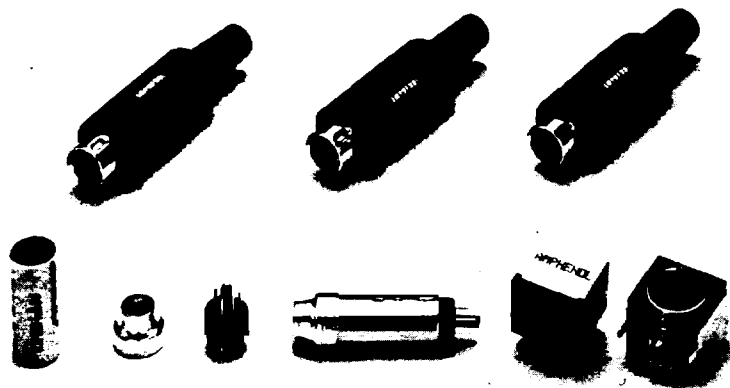


Amphenol® Mini-Din circular connector



description

The Amphenol 18 series mini-Din connector is newly developed to complement our current input and output interconnecting product family.

The plug comes with two versions— the snap-in type and the overmolded type which caters for different assembly requirements.

The socket can either be cable terminated similar to the plug assembly or PCB mounted. The right angle PCB mounted socket is completely shielded to eliminate EMI/RFI.

features

- 1) Choice of three plating options
- 2) Contact positions: 4, 5, 6, 7, 8 and 9
- 3) UL 94V-O rated insulator
- 4) Designed for cable-to-cable and cable-to-PC board interconnections
- 5) Plug equipped with molded-in strain relief
- 6) Available in both snap-in and overmolded type plug

applications

Personal computer
Keyboard/mouse interface
Home computer and video game

benefits

- Simple construction reduces assembly time
- Selectively plated contacts for high reliability and low cost
- Excellent quality and reliability
- Shielded right angle socket eliminates EMI/RFI

specifications

Plug

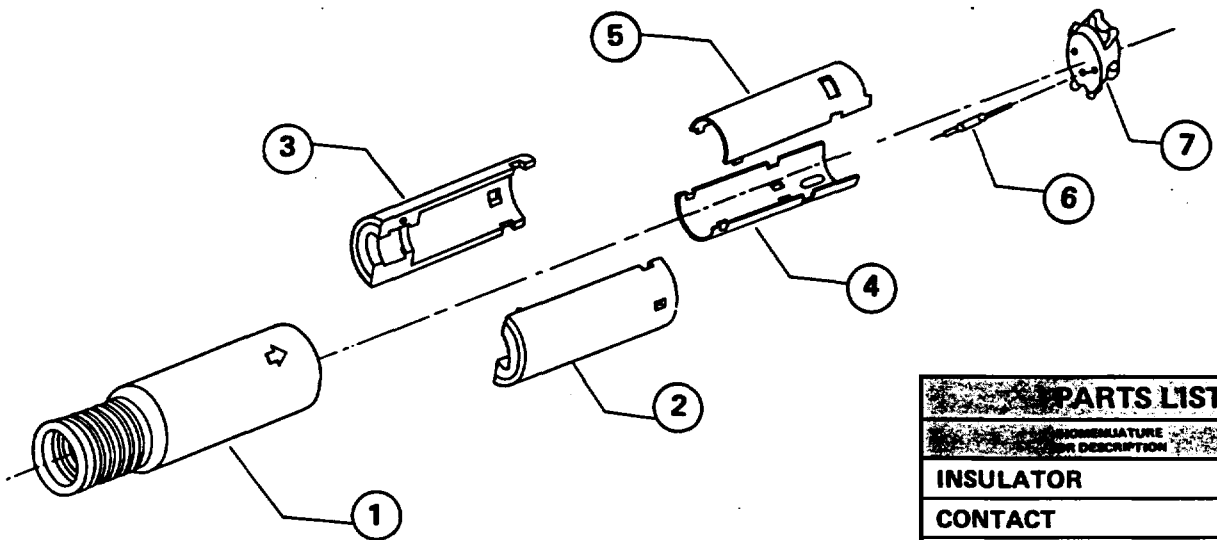
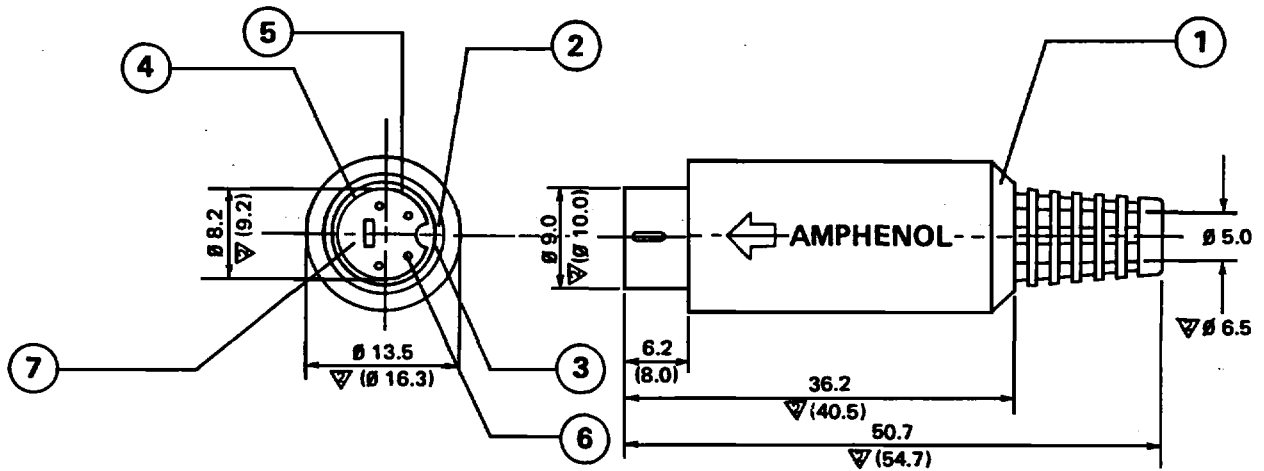
Material/Finish:	Metal shell—Brass
Contact material:	Plug-Brass Receptacle-Phosphor Bronze
Contact plating:	Pb/Sn, Tin or Au/Nickel
Mold-in cover:	Tinned/Brass
Insulator:	PBT or Nylon with 30% Fibre reinforced (UL94V-0)
Colour:	Grey or black
Cover:	A.B.S.
Strain relief:	PVC
Temperature:	-25°C to -85°C
Applicable wire:	AWG #26 to #30
Current rating:	1A AC/DC
Insulation resistance:	50M ohm min.
Voltage rating:	50V AC/DC
Withstanding voltage:	500V AC for 1 minute

Socket

Insulation resistance:	50M ohm min.
Dielectric strength:	250V DC/1 minute
Contact resistance:	30M ohm max.
Insertion force:	4.5 kg max.
Extraction force:	1.3 Kg
Rating:	1A, 100V AC 2A, 12V DC

dimensions

Plug (assembly type)



PARTS LIST	
SYMBOL	DESCRIPTION
1	INSULATOR
2	CONTACT
3	SHIELD TOP
4	SHIELD BOTTOM
5	COVER LEFT
6	COVER RIGHT
7	CAP STRAIN RELIEF

▽ DIMENSION FOR "9 POSITION" IS SHOWN INSIDE BRACKET ().

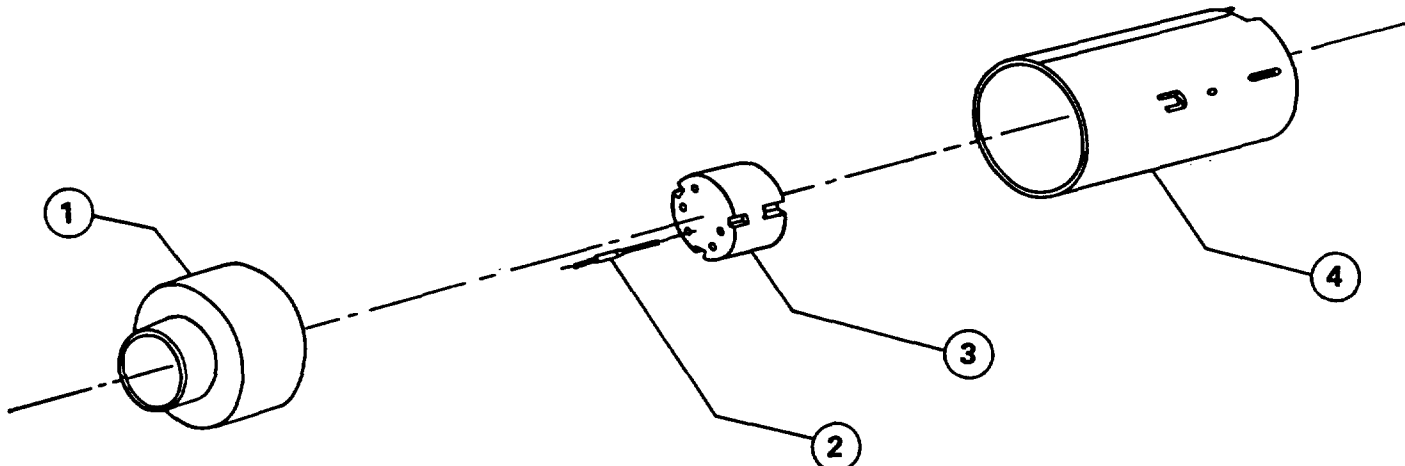
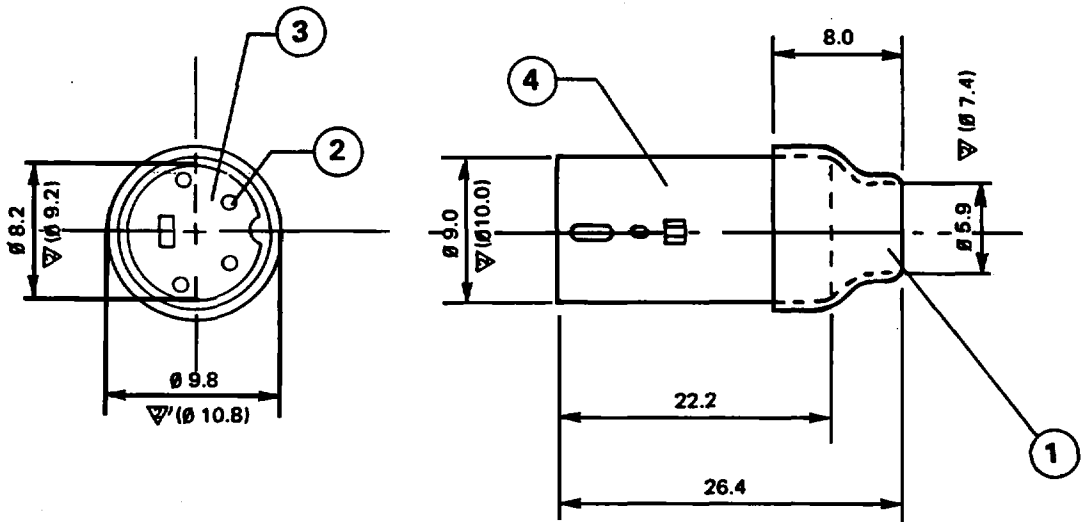
1. ALL DIMENSIONS ARE FOR REFERENCE ONLY. [UNIT:mm].

NOTE:

NO. OF CONTACT	3	4	5	6	7	8	9
POSITION							

dimensions

Plug (overmold type)

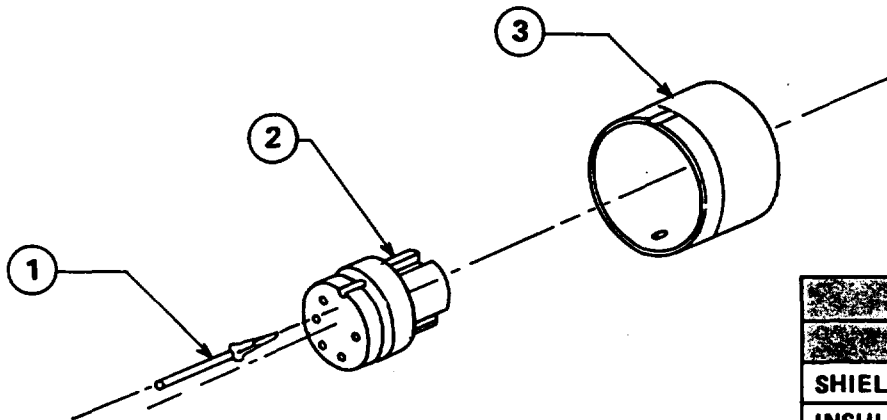
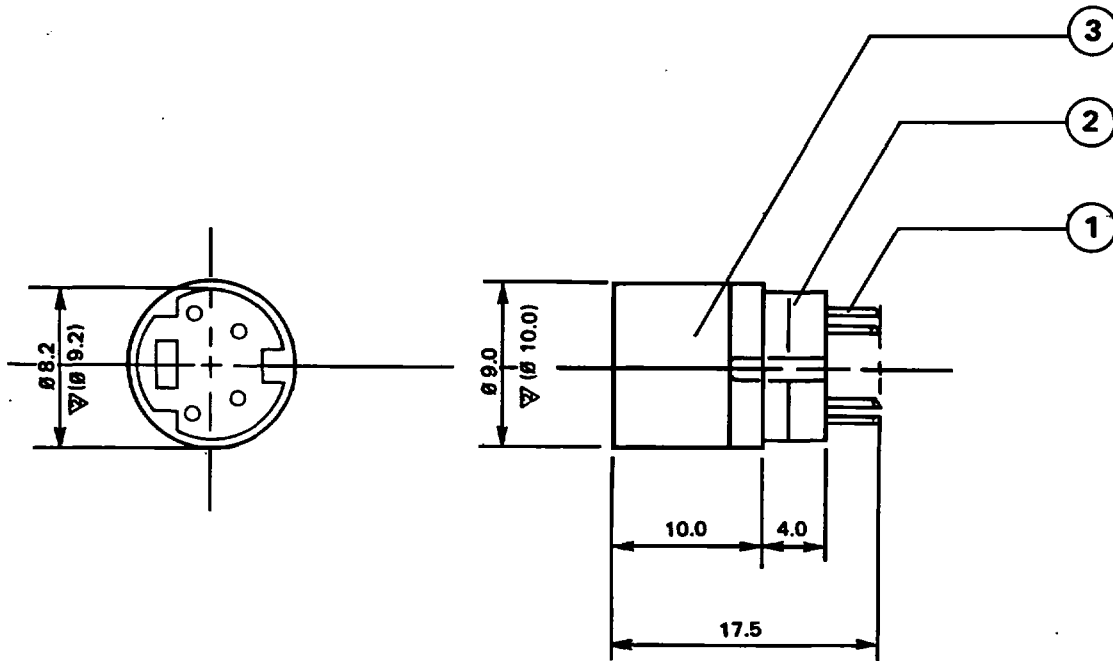


PARTS LIST	
NOMENCLATURE OR DESCRIPTION	ITEM NO.
SHIELD	4
INSULATOR	3
CONTACT	2
CAP	1

NO. OF CONTACT	3	4	5	6	7	8	9
POSITION							

dimensions

Plug (PCB mount type)



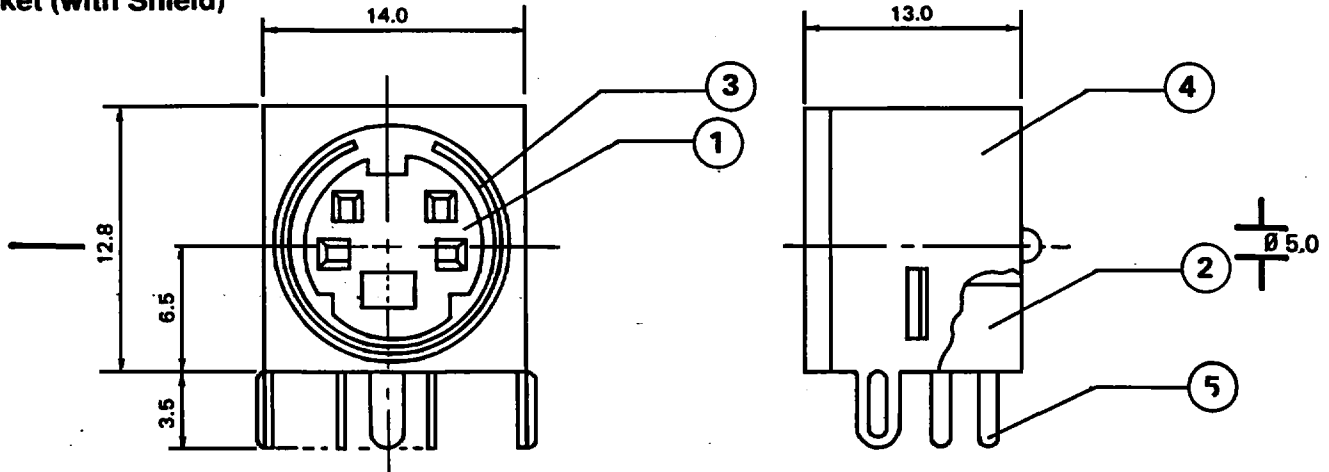
PARTS LIST	
SYMBOL	ITEM NO.
SHIELD	3
INSULATOR	2
CONTACT	1

NO. OF CONTACT	3	4	5	6	7	8	9
POSITION							

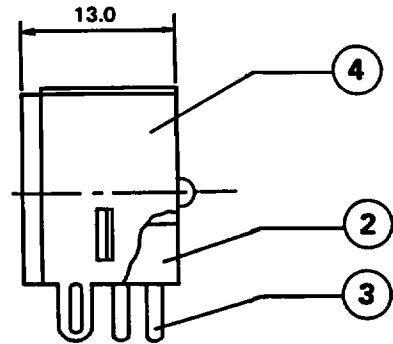
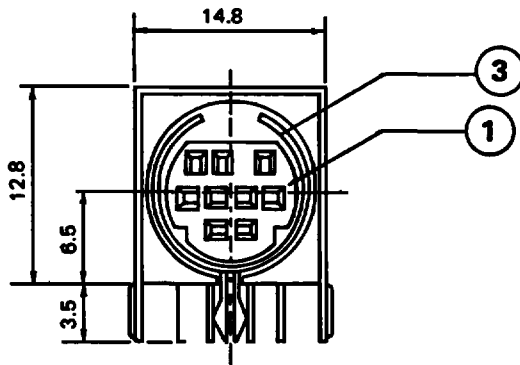
▽ DIMENSION FOR "9 POSITION" IS SHOWN INSIDE BRACKET ().
 1. ALL DIMENSIONS ARE FOR REFERENCE ONLY. [UNIT:mm].
NOTE:

dimensions

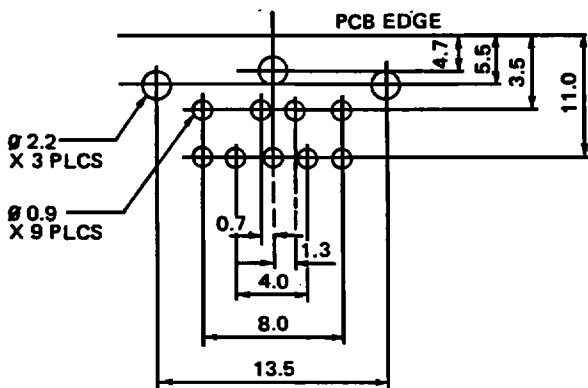
Socket (with Shield)



NO. OF CONTACT	3	4	5	6	7	8
POSITION						
PCB HOLE LAYOUT (SOLDER) SIDE						

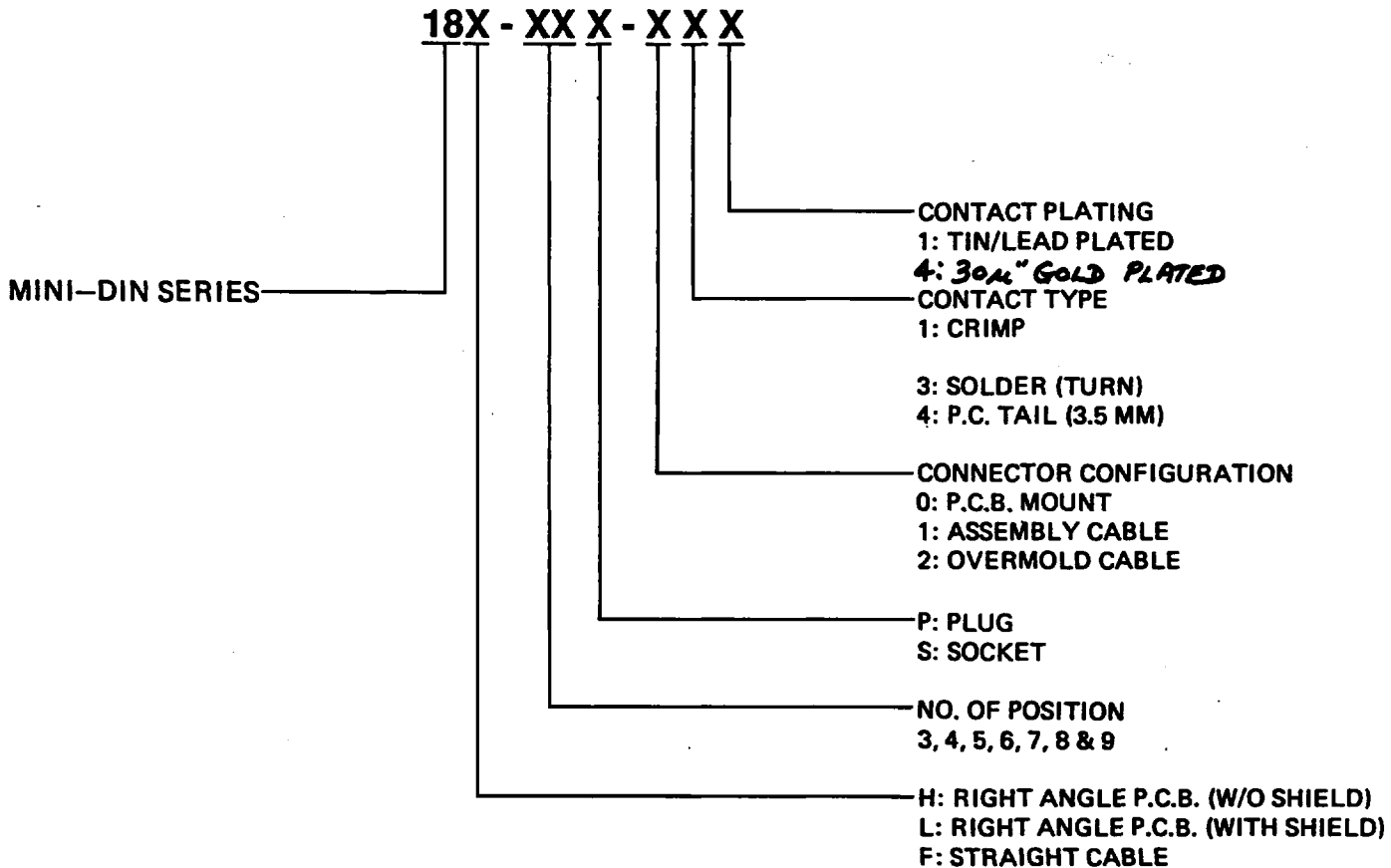


PCB HOLE LAYOUT (SOLDER SIDE)



PARTS LIST	
DESCRIPTION	ITEM NO.
CONTACT	5
OUTTER SHIELD	4
INNER SHIELD	3
BOTTOM INSULATOR	2
FRONT INSULATOR	1

order information

PART NUMBER SYSTEM**Amphenol®***Data / Telecom Products***Phone 416-754-5656****Fax 416-754-8668**20 Melford Drive
Scarborough, Ont. Canada M1B 2X6**Amphenol**

Notice: Specifications are subject to change without notice. Contact your nearest Amphenol sales office for the latest specifications. All statements, information and data given herein are believed to be accurate and reliable but are presented without guaranty, warranty, or responsibility of any kind, express or implied. Statements or suggestions concerning possible use of our products are made without representation or warranty that any such use is free of patent infringement, and are not recommendations to infringe any patent. The user should not assume that all safety measures are indicated or that other measures may not be required. Amphenol, Bendix and Spectra-Strip are registered trademarks.