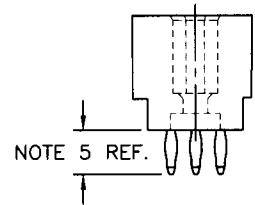
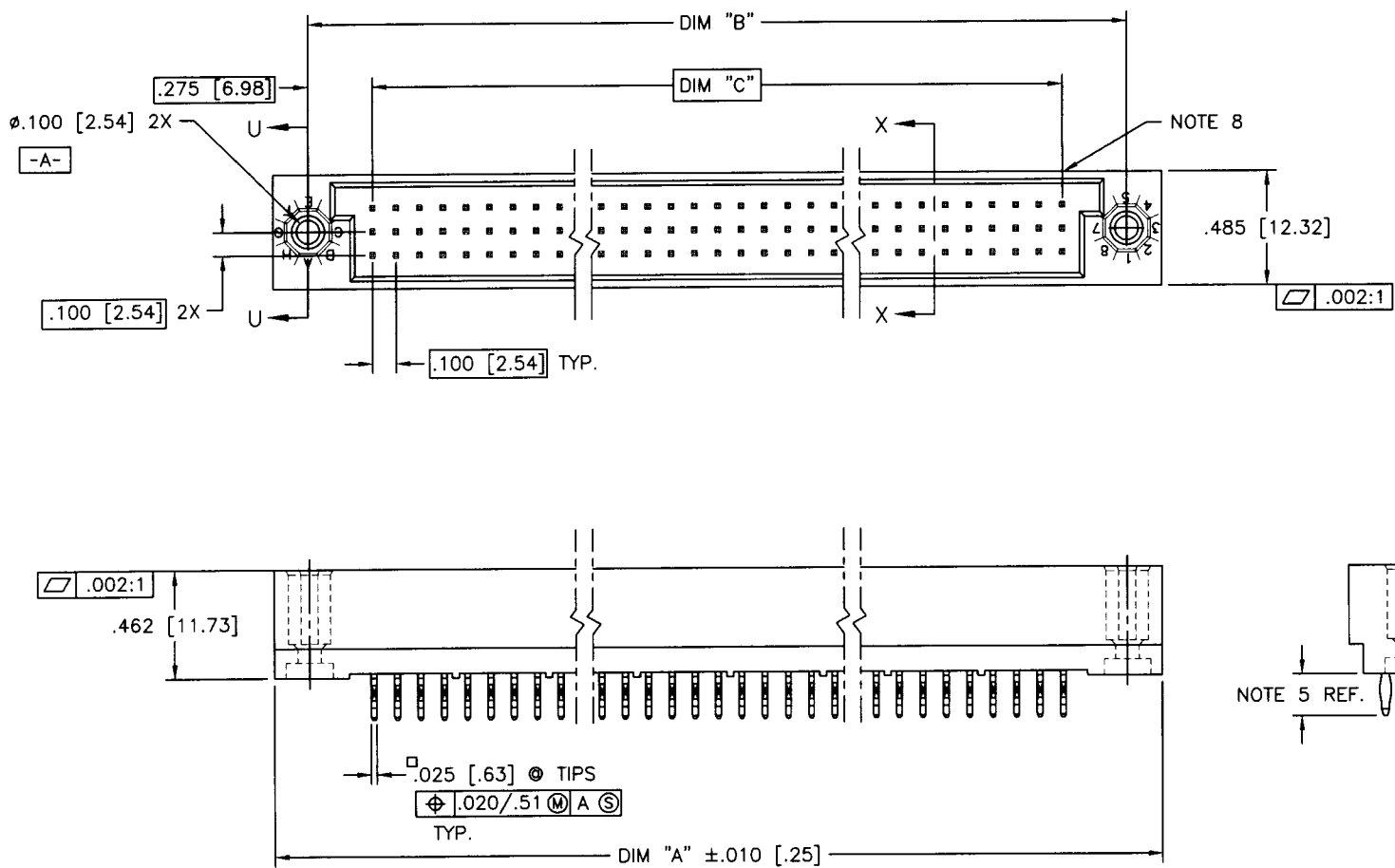


Tous droits strictement réservés. Reproduction ou communication à des tiers interdite sans quelque forme que ce soit sans autorisation écrite du propriétaire. Propriété de c FCI. Droits de reproduction FCI.

All rights strictly reserved. Reproduction or issue to third parties in any form whatever is not permitted without written authority from the proprietor. Property of FCI. Copyright FCI.



PRODUCT NUMBER
SEE NOTE 1



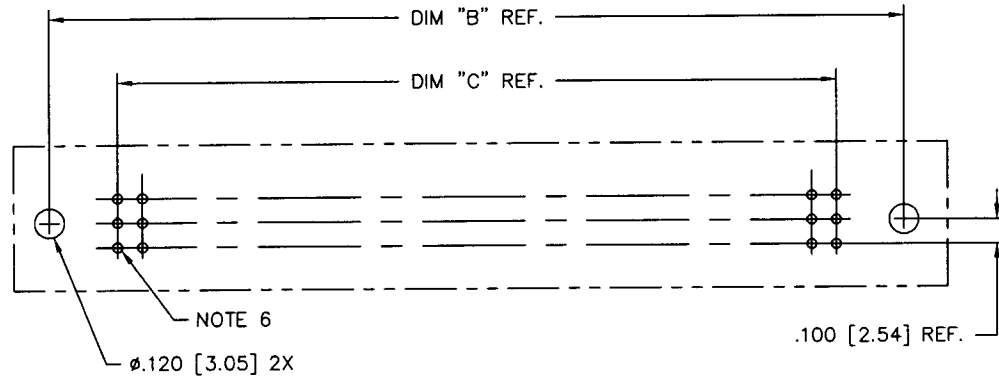
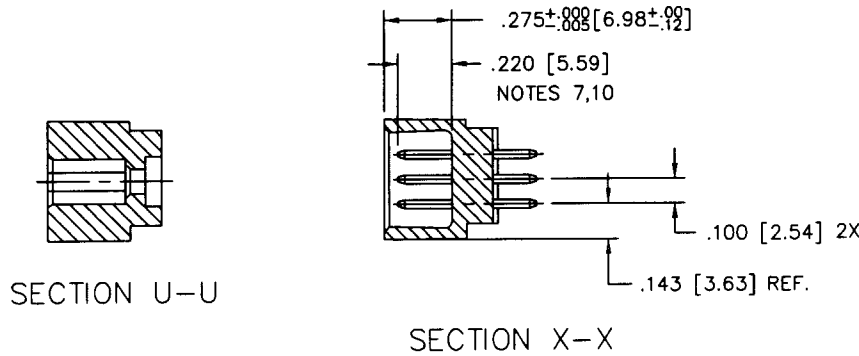
mat'l. code		tolerances unless otherwise specified		CUSTOMER COPY		Electronics www.fciconnect.com	
NOTE 3				projection		title	
ltr	ecn no	dr	date	linear		3 ROW VERTICAL HEADER	
B	V12528	SAR	10/8/91	.XX±.01/.X±.3		w/PRESS FIT PINS, 0 G.P.	
C	V22035	SAR	4/9/92	.XXX±.005/.XX±.13	INCH/MM	product family HPC	
D	V23149	MRC	9/1/92	.XXX±.0020/.XXX±.051		size dwg no	
E	V40284	PDP	1/20/94	angles	scale	A 50006	
F	V40940	PDP	6/1/94	0° ±2'		code 213	
G	V82252	HTB	12/28/98	dr	1:1	sheet 1 of 2	
H	V00271	JWS	1/31/00	engr		sheet 1 of 2	
sheet index		revision		appd		cage code	
sheet		H H		S. CLARK 3/14/91		22526	
1 2		1 2		S. CLARK 3/14/91		4	

ACAD

Tous droits strictement réservés. Reproduction ou communication à des tiers interdite sous quelque forme que ce soit sans autorisation écrite du propriétaire. Propriété de c FCI. Droits de reproduction FCI.

All rights strictly reserved. Reproduction or issue to third parties in any form whatever is not permitted without written authority from the proprietor. Property of FCI. Copyright FCI.

PRODUCT NUMBER	DIM.	LENGTH FORMULAS
SEE NOTE 1	DIM "A"	.100/2.54 x NO. OF COLUMNS +.75/19.1
	DIM "B"	.100/2.54 x NO. OF COLUMNS +.450/11.43
	DIM "C"	.100/2.54 x NO. OF COLUMNS -.100/2.54



RECOMMENDED PCB LAYOUT
(ALL HOLES LOCATED ON .100/2.54 GRID UNLESS OTHERWISE SPECIFIED)

NOTES:

① PRODUCT NUMBERING CODE:
50006 - X YYY Z
TAIL LENGTH (NOTE 5)
NO. OF POSITIONS (NOTE 2)
PLATING (NOTE 4)
BASE NUMBER

PRODUCT NUMBERING CODE FOR SELECT LOAD PART NUMBERS:
50006 - XXYYY
SEQUENCE NUMBER
ALWAYS 'XX'
BASE NUMBER

- ② THIS PRODUCT IS CONFIGURED IN SIZES OF 6 thru 80 COLUMNS IN INCREMENTS OF ONE.
i.e.: 6,7,8,9,.....79,80.
- ③ HOUSING MATERIAL: GLASS AND MINERAL FILLED HIGH TEMP. THERMOPLASTIC. FLAME RETARDANT PER UL94V-0. COLOR: BLACK.
PIN MATERIAL: PHOS BRONZE
- ④ PLATING CONTACT AREA OPTIONS:
1 = 30u"/.76u GOLD
3 = 50u"/1.27u GOLD
5 = 30u"/.76u GXT
- ⑤ TAIL LENGTH OPTIONS: (±.015/.38)
A = .177/4.5 G = .250/6.35
C = .533/13.54 L = .188/4.78 .062 PCB
D = .733/18.62 P = .470/11.94 .062 PCB/SHROUD
- ⑥ ø.0453/1.151 DRILLED HOLE PLATED WITH .0003/.007 MIN. SnPb OVER .001/.03 to .003/.08 Cu. PLATING TO ACHIEVE A ø.040±.003/1.02±.08 HOLE.
- ⑦ TO ASSURE PROPER INSTALLATION: TOOLING, AS SPECIFIED IN INSTRUCTION MANUAL 155915-001 MUST BE USED. PIN MATING LENGTH WILL BE ±.002/.05 AFTER INSTALLATION.
- ⑧ COMPANY NAME, PART NUMBER AND LOT CODE TO APPEAR ON THIS SURFACE PER BUS-12-108.
- 9. FOR DOCUMENTATION MENU, SEE BUS-01-057.
- ⑩ REFERENCE 50807 FOR F.M.L.B. AVAILABLE OPTIONS AND WORKSHEET.

mat'l. code		tolerances unless otherwise specified		CUSTOMER COPY		FCI Electronics www.fciconnect.com	
ltr	ecr no	dr	date	linear	projection	title	
H						3 ROW VERTICAL HEADER	
				angles		w/PRESS FIT PINS, 0 G.P.	
				dr	D. SHEAFFER	3/14/91	product family
				engr	S. CLARK	3/14/91	HPC
				chr	S. CLARK	3/14/91	size
				appd	S. CLARK	3/14/91	dwg no
sheet index	revision sheet						code
							213
							sheet
							2 of

cage code
22526

ACAD

PDM: Rev:H

STATUS: Released

Printed: Mar 04, 2005