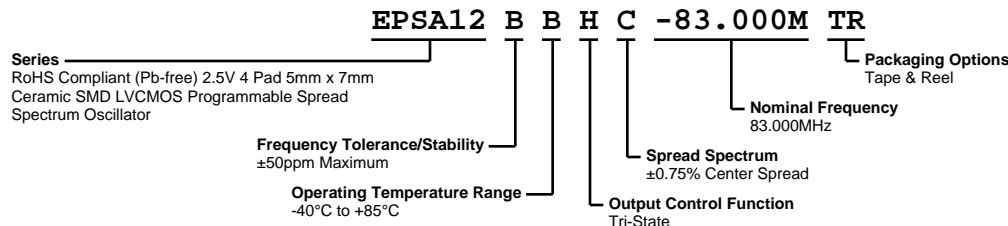


EPSA12BBHC-83.000M TR



ELECTRICAL SPECIFICATIONS

| | |
|---------------------------------------|--|
| Nominal Frequency | 83.000MHz |
| Frequency Tolerance/Stability | ±50ppm Maximum (Inclusive of all conditions: Frequency Stability over the Operating Temperature Range, Supply Voltage Change, Output Load Change, First Year Aging at 25°C, Shock, and Vibration.) |
| Operating Temperature Range | -40°C to +85°C |
| Supply Voltage | 2.5Vdc ±5% |
| Maximum Supply Voltage | -0.5Vdc to +3.2Vdc |
| Input Current | 22mA Maximum |
| Output Voltage Logic High (Voh) | 90% of Vdd Minimum (IOH=-8mA) |
| Output Voltage Logic Low (Vol) | 10% of Vdd Maximum (IOL=+8mA) |
| Rise/Fall Time | 3nSec Maximum (Measured at 10% to 90% of Waveform) |
| Duty Cycle | 50% ±5(%) (Measured at 50% of waveform) |
| Load Drive Capability | 15pF Maximum |
| Output Logic Type | CMOS |
| Output Control Function | Tri-State (Disabled Output: High Impedance) |
| Tri-State Input Voltage (Vih and Vil) | 70% of Vdd Minimum or No Connection to Enable Output, 30% of Vdd Maximum to Disable Output |
| Tri-State Output Disable Time | 100nSec Maximum |
| Tri-State Output Enable Time | 100nSec Maximum |
| Disable Current | 20mA Maximum (Unloaded; Pad 1=Ground) |
| Spread Spectrum | ±0.75% Center Spread |
| Modulation Frequency | 30kHz Minimum, 32kHz Typical, 45kHz Maximum |
| Period Jitter | 100pSec Maximum (Cycle to Cycle; Spread Spectrum-On) |
| Start Up Time | 10mSec Maximum |
| Storage Temperature Range | -55°C to +125°C |

ENVIRONMENTAL & MECHANICAL SPECIFICATIONS

| | |
|------------------------------|---|
| ESD Susceptibility | MIL-STD-883, Method 3015, Class 1, HBM: 1500V |
| Fine Leak Test | MIL-STD-883, Method 1014, Condition A |
| Flammability | UL94-V0 |
| Gross Leak Test | MIL-STD-883, Method 1014, Condition C |
| Mechanical Shock | MIL-STD-883, Method 2002, Condition B |
| Moisture Resistance | MIL-STD-883, Method 1004 |
| Moisture Sensitivity | J-STD-020, MSL 1 |
| Resistance to Soldering Heat | MIL-STD-202, Method 210, Condition K |
| Resistance to Solvents | MIL-STD-202, Method 215 |
| Solderability | MIL-STD-883, Method 2003 |
| Temperature Cycling | MIL-STD-883, Method 1010, Condition B |
| Vibration | MIL-STD-883, Method 2007, Condition A |

EPSA12BBHC-83.000M TR

MECHANICAL DIMENSIONS (all dimensions in millimeters)



| PIN | CONNECTION |
|-----|----------------|
| 1 | Tri-State |
| 2 | Case Ground |
| 3 | Output |
| 4 | Supply Voltage |

| LINE | MARKING |
|------|--|
| 1 | ECLIPTEK |
| 2 | 83.000M |
| 3 | SXXXXX <i>S=Configuration Designator</i> <i>XXXXX=Ecliptek</i> <i>Manufacturing Identifier</i> |

Suggested Solder Pad Layout

All Dimensions in Millimeters



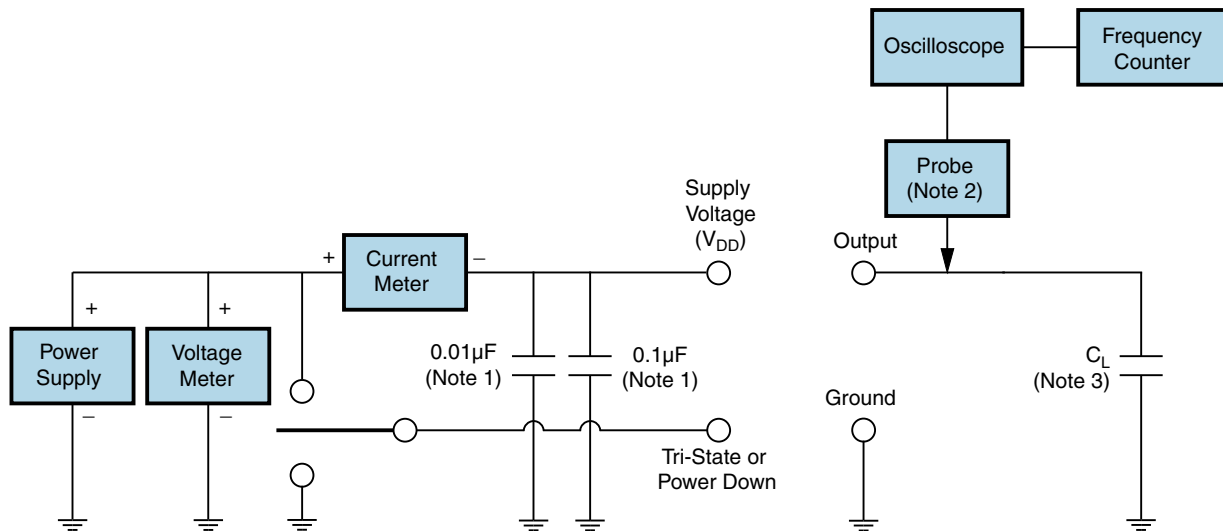
All Tolerances are ± 0.1

EPSA12BBHC-83.000M TR

OUTPUT WAVEFORM & TIMING DIAGRAM



Test Circuit for CMOS Output



Note 1: An external 0.01 μF ceramic bypass capacitor in parallel with a 0.1 μF high frequency ceramic bypass capacitor close (less than 2mm) to the package ground and supply voltage pin is required.

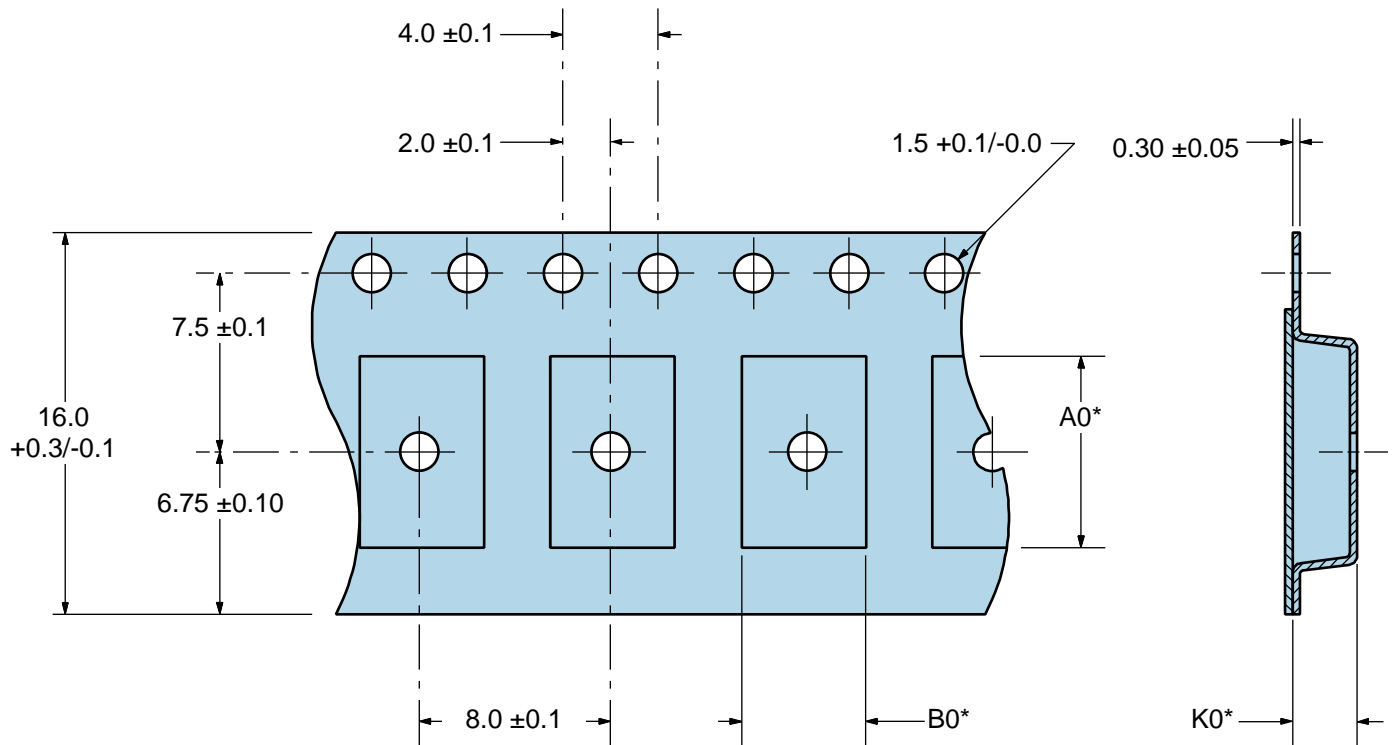
Note 2: A low input capacitance (<12pF), 10X Attenuation Factor, High Impedance (>10Mohms), and High bandwidth (>300MHz) passive probe is recommended.

Note 3: Capacitance value C_L includes sum of all probe and fixture capacitance. See applicable specification sheet for 'Load Drive Capability'.

EPSA12BBHC-83.000M TR

Tape & Reel Dimensions

Quantity Per Reel: 1,000 Units



*Compliant to EIA 481A



Recommended Solder Reflow Methods



High Temperature Infrared/Convection

| | |
|--|---|
| T_S MAX to T_L (Ramp-up Rate) | 3°C/second Maximum |
| Preheat | |
| - Temperature Minimum (T_S MIN) | 150°C |
| - Temperature Typical (T_S TYP) | 175°C |
| - Temperature Maximum (T_S MAX) | 200°C |
| - Time (t_s MIN) | 60 - 180 Seconds |
| Ramp-up Rate (T_L to T_P) | 3°C/second Maximum |
| Time Maintained Above: | |
| - Temperature (T_L) | 217°C |
| - Time (t_L) | 60 - 150 Seconds |
| Peak Temperature (T_P) | 260°C Maximum for 10 Seconds Maximum |
| Target Peak Temperature (T_P Target) | 250°C +0/-5°C |
| Time within 5°C of actual peak (t_p) | 20 - 40 seconds |
| Ramp-down Rate | 6°C/second Maximum |
| Time 25°C to Peak Temperature (t) | 8 minutes Maximum |
| Moisture Sensitivity Level | Level 1 |
| Additional Notes | Temperatures shown are applied to body of device. |

Recommended Solder Reflow Methods



Low Temperature Infrared/Convection 240°C

| | |
|--|--|
| T_S MAX to T_L (Ramp-up Rate) | 5°C/second Maximum |
| Preheat | |
| - Temperature Minimum (T_S MIN) | N/A |
| - Temperature Typical (T_S TYP) | 150°C |
| - Temperature Maximum (T_S MAX) | N/A |
| - Time (t_s MIN) | 60 - 120 Seconds |
| Ramp-up Rate (T_L to T_P) | 5°C/second Maximum |
| Time Maintained Above: | |
| - Temperature (T_L) | 150°C |
| - Time (t_L) | 200 Seconds Maximum |
| Peak Temperature (T_P) | 240°C Maximum |
| Target Peak Temperature (T_P Target) | 240°C Maximum 1 Time / 230°C Maximum 2 Times |
| Time within 5°C of actual peak (t_p) | 10 seconds Maximum 2 Times / 80 seconds Maximum 1 Time |
| Ramp-down Rate | 5°C/second Maximum |
| Time 25°C to Peak Temperature (t) | N/A |
| Moisture Sensitivity Level | Level 1 |
| Additional Notes | Temperatures shown are applied to body of device. |

Low Temperature Manual Soldering

185°C Maximum for 10 seconds Maximum, 2 times Maximum. (Temperatures shown are applied to body of device.)

High Temperature Manual Soldering

260°C Maximum for 5 seconds Maximum, 2 times Maximum. (Temperatures shown are applied to body of device.)