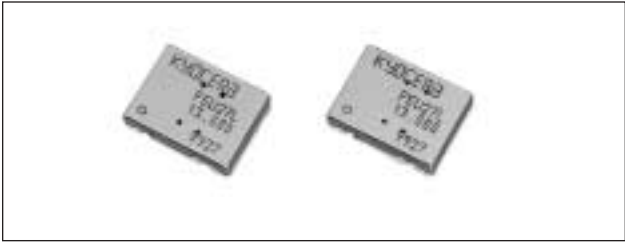




# Temperature Compensated Crystal Oscillators KT14 Series



## FEATURES

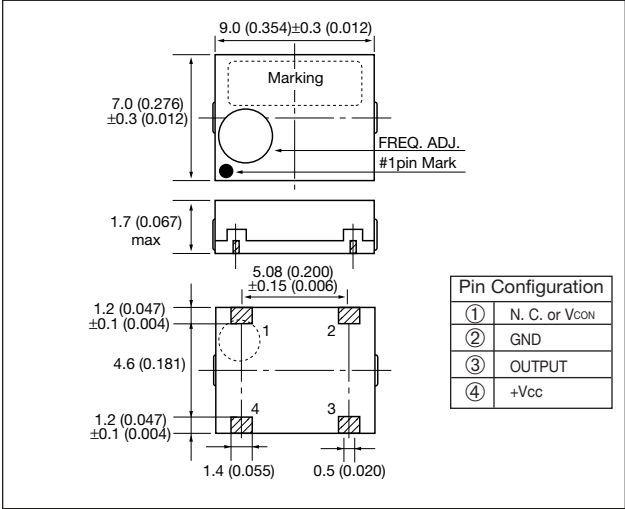
- Low profile SMD type (9.0x7.0x1.7mm)
- Frequency adjustment free after reflow soldering process
- AFC function available
- 2.8, 3.0, 3.3V drive available

## APPLICATIONS

- PHS, PDC, GSM, DCS1800, AMPS, CDMA, D-AMPS, PCS1900, etc.

## DIMENSIONS

millimeters (inches)



## HOW TO ORDER

KT14 - E G R 28 N - 19.200M T

### Packaging

T = Tape and reel 2,000 pcs/reel

### Frequency (MHz)

12.8000	14.850	19.440
13.000	16.800	19.680
14.400	19.200	19.800

### AFC Function

N = No, L = Yes (Trimmerless)

### Supply Voltage

28 = 2.8V, 30 = 3.0V

### Upper Operating Temp.

V = 80°C, T = 70°C, R = 60°C

### Lower Operating Temp.

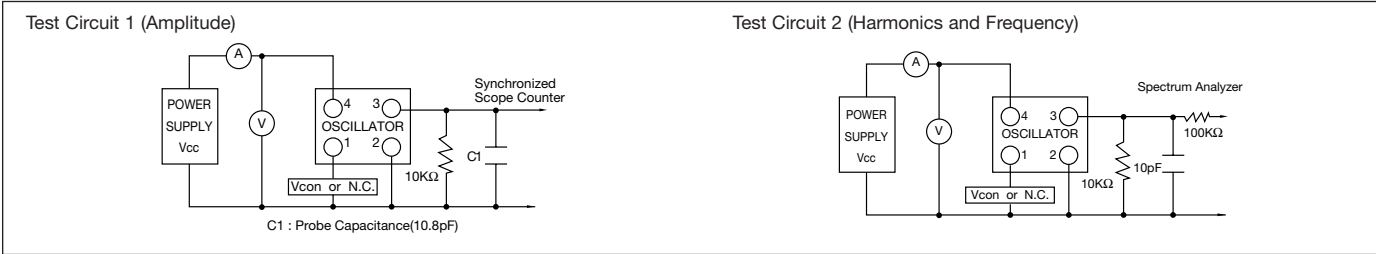
C = -30°C, G = -10°C, E = -20°C

### Frequency Stability

K = ±5ppm, E = ±2.5ppm, D = ±2.0ppm

### Series

## TEST CIRCUIT



## SPECIFICATIONS

Items	Code	Specifications		Unit	Remarks
		PHS	Cellular		
Supply Voltage	Vcc	2.8±5%	2.8±5%	V	—
			3.0±5%		
			3.3±5%		
Output Frequency	fo	19.200	12.800 13.000 14.000	MHz	—
			14.850 16.800		
			19.200 19.440		
			19.680 19.800		
Operating Temperature	Topr	-10 to 60	-30 to +80	°C	—
Storage Temperature	Tstr	-20 to 70	-40 to 85	°C	—
Frequency Stability	Δf/fo	±2.5 max.	±2.0 max.	ppm	vs temperature (after reflow)
			±2.5 max.		
			±0.2 max.		
Aging Rate	Aging	±1.0 max.	±0.3 max.	ppm/year	1 year
			±1.0 max.		
Output Voltage	Vout	0.8 min.	—	Vp-p	load 10kΩ/10pF
Supply Current	Icc	2.0 max.	—	mA	no load
Trimmer Control Range	Δf/C	±3.0 min.	—	ppm	—
Voltage Control Range	Δf/V	—	ex: ±4.0 to ±8.0	ppm	1.5V±1V, 2.5V±1V
Harmonics	—	—	-3.0 max.	dBc	—