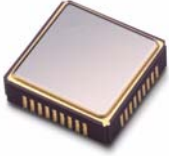




GENERAL DESCRIPTION

The M1033/34 is a VCSO (Voltage Controlled SAW Oscillator) based clock jitter attenuator PLL designed for clock jitter attenuation and frequency translation. The device is ideal for generating the transmit reference clock for optical network systems supporting up to 2.5Gb data rates. It can serve to jitter attenuate a stratum reference clock or a recovered clock in loop timing mode. The M1033/34 module includes a proprietary SAW (surface acoustic wave) delay line as part of the VCSO. This results in a high frequency, high-Q, low phase noise oscillator that assures low intrinsic output jitter.



PIN ASSIGNMENT (9 x 9 mm SMT)

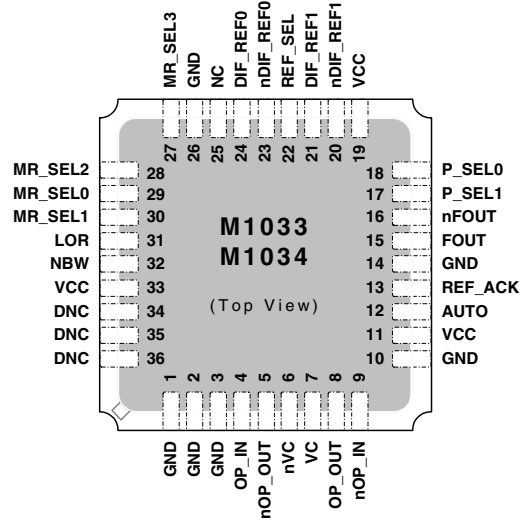


Figure 1: Pin Assignment

FEATURES

- ◆ Integrated SAW delay line; low phase jitter of < 0.5ps rms, typical (12kHz to 20MHz)
- ◆ Output frequencies of 62.5 to 175 MHz (Specify VCSO output frequency at time of order)
- ◆ LVPECL clock output (CML and LVDS options available)
- ◆ Reference clock inputs support differential LVDS, LVPECL, as well as single-ended LVCMOS, LVTTTL
- ◆ Loss of Reference (LOR) output pin; Narrow Bandwidth control input (NBW pin)
- ◆ AutoSwitch (AUTO pin) - automatic (non-revertive) reference clock reselection upon clock failure
- ◆ Acknowledge pin (REF_ACK pin) indicates the actively selected reference input
- ◆ Phase Build-out only upon MUX reselection option (PBOM)
- ◆ Pin-selectable feedback and reference divider ratios
- ◆ Single 3.3V power supply
- ◆ Small 9 x 9 mm SMT (surface mount) package

Example I/O Clock Frequency Combinations Using M1033-11-155.5200 or M1034-11-155.5200

Input Reference Clock (MHz)		PLL Ratio (Pin Selectable)	Output Clock (MHz) (Pin Selectable)
(M1033) 19.44 or 38.88	(M1034)	(M1033) 8 or 4	155.52
		2	or
		1	77.76
		0.25	

Table 1: Example I/O Clock Frequency Combinations

SIMPLIFIED BLOCK DIAGRAM

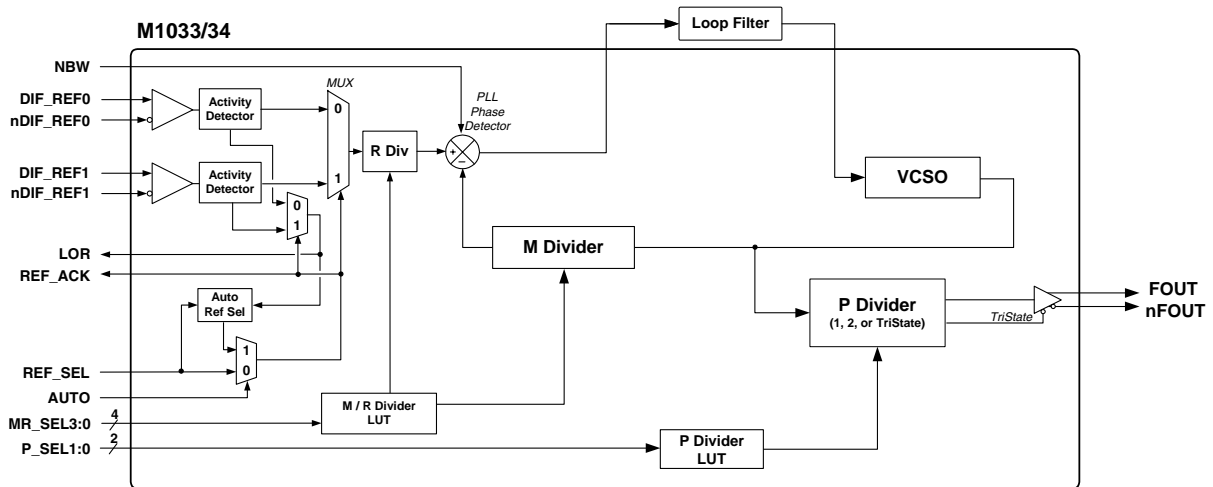


Figure 2: Simplified Block Diagram



PIN DESCRIPTIONS

Number	Name	I/O	Configuration	Description
1, 2, 3, 10, 14, 26	GND	Ground		Power supply ground connections.
4 9	OP_IN nOP_IN	Input		External loop filter connections. See Figure 5, External Loop Filter, on pg. 9.
5 8	nOP_OUT OP_OUT	Output		
6 7	nVC VC	Input		
11, 19, 33	VCC	Power		Power supply connection, connect to +3.3V.
12	AUTO	Input	Internal pull-down resistor ¹	Automatic/manual reselection mode for clock input: Logic 1 automatic reselection upon clock failure (non-revertive) Logic 0 manual selection only (using REF_SEL)
13	REF_ACK	Output		Reference Acknowledgement pin for input mux state; outputs the currently selected reference input pair: Logic 1 indicates nDIF_REF1, DIF_REF1 Logic 0 indicates nDIF_REF0, DIF_REF0
15 16	FOUT nFOUT	Output	No internal terminator	Clock output pair. Differential LVPECL (CML, LVDS available).
17 18	P_SEL1 P_SEL0		Internal pull-down resistor ¹	Post-PLL, P divider selection. LVCMOS/LVTTL. See Table 5, P Divider Look-Up Table (LUT), on pg. 4.
20	nDIF_REF1	Input	Biased to $V_{cc}/2$ ²	Reference clock input pair 1. Differential LVPECL or LVDS. Resistor bias on inverting terminal supports TTL or LVCMOS.
21	DIF_REF1		Internal pull-down resistor ¹	
22	REF_SEL	Input	Internal pull-down resistor ¹	Reference clock input selection. LVCMOS/LVTTL: Logic 1 selects DIF_REF1, nDIF_REF1. Logic 0 selects DIF_REF0, nDIF_REF0.
23	nDIF_REF0	Input	Biased to $V_{cc}/2$ ²	Reference clock input pair 0. Differential LVPECL or LVDS. Resistor bias on inverting terminal supports TTL or LVCMOS.
24	DIF_REF0		Internal pull-down resistor ¹	
25	NC			No internal connection
27 28 29 30	MR_SEL3 MR_SEL2 MR_SEL0 MR_SEL1	Input	Internal pull-down resistor ¹	M and R divider value selection. LVCMOS/ LVTTL. See Tables 3 and 4, M and R Divider Look-Up Tables (LUT) on pg. 3.
31	LOR	Output		Loss of Reference indicator. Asserted when there are no clock edges at the selected input port for 3 clock edges of the PLL phase detector. ³ Logic 1 indicates loss of reference. Logic 0 indicates active reference.
32	NBW	Input	Internal pull-UP resistor ¹	Narrow Bandwidth enable. LVCMOS/LVTTL: Logic 1 - Narrow loop bandwidth, $R_{IN} = 2100k\Omega$ Logic 0 - Wide bandwidth, $R_{IN} = 100k\Omega$
34, 35, 36	DNC		Do Not Connect.	

Table 2: Pin Descriptions

Note 1: For typical values of internal pull-down and pull-UP resistors, see **DC Characteristics** on pg. 11.

Note 2: Biased to $V_{cc}/2$, with $50k\Omega$ to V_{cc} and $50k\Omega$ to ground. See **Differential Inputs Biased to $V_{CC}/2$** on pg. 11.

Note 3: See **LVCMOS Output** in DC Characteristics on pg. 11.



DETAILED BLOCK DIAGRAM

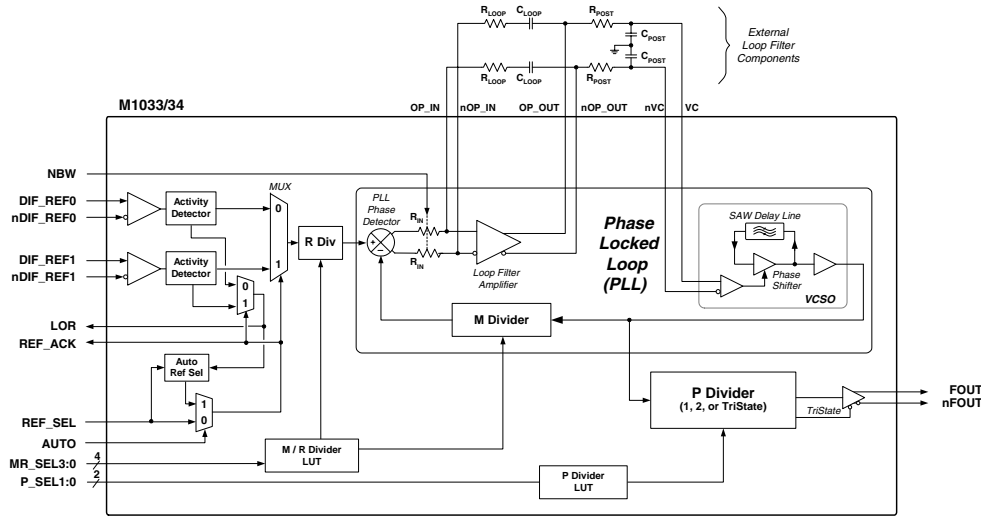


Figure 3: Detailed Block Diagram

DIVIDER SELECTION TABLES

M and R Divider Look-Up Tables (LUT)

The MR_SEL3:0 pins select the feedback and reference divider values M and R to enable adjustment of loop bandwidth and jitter tolerance. The look-up tables vary by device variant. M1033 and M1034 are defined in Tables 3 and 4 respectively.

Tables 3 and 4 provide example F_{in} and phase detector frequencies with 155.52MHz VCSO devices (M1033-11-155.5200 and M1034-11-155.5200). See "Ordering Information" on pg. 14.

M1033 M/R Divider LUT

MR_SEL3:0	M Div	R Div	Total PLL Ratio	F_{in} for 155.52MHz VCSO (MHz)	Phase Det. Freq. for 155.52MHz VCSO (MHz)
0 0 0 0	8	1	8	19.44	19.44
0 0 0 1	32	4	8	19.44	4.86
0 0 1 0	128	16	8	19.44	1.215
0 0 1 1	512	64	8	19.44	0.30375
0 1 0 0	2	1	2	77.76	77.76
0 1 0 1	8	4	2	77.76	19.44
0 1 1 0	32	16	2	77.76	4.86
0 1 1 1	128	64	2	77.76	1.215
1 0 0 0	1	1	1	155.52	155.52
1 0 0 1	4	4	1	155.52	38.88
1 0 1 0	16	16	1	155.52	9.72
1 0 1 1	64	64	1	155.52	2.43
1 1 0 0	Test Mode ¹	N/A	N/A	N/A	N/A
1 1 0 1	1	4	0.25	622.08	155.52
1 1 1 0	4	16	0.25	622.08	38.88
1 1 1 1	16	64	0.25	622.08	9.72

Table 3: M1033 M/R Divider LUT

M1034 M/R Divider LUT

MR_SEL3:0	M Div	R Div	Total PLL Ratio	F_{in} for 155.52MHz VCSO (MHz)	Phase Det. Freq. for 155.52MHz VCSO (MHz)
0 0 0 0	4	1	4	38.88	38.88
0 0 0 1	16	4	4	38.88	9.72
0 0 1 0	64	16	4	38.88	2.43
0 0 1 1	256	64	4	38.88	0.6075
0 1 0 0	2	1	2	77.76	77.76
0 1 0 1	8	4	2	77.76	19.44
0 1 1 0	32	16	2	77.76	4.86
0 1 1 1	128	64	2	77.76	1.215
1 0 0 0	1	1	1	155.52	155.52
1 0 0 1	4	4	1	155.52	38.88
1 0 1 0	16	16	1	155.52	9.72
1 0 1 1	64	64	1	155.52	2.43
1 1 0 0	Test Mode ¹	N/A	N/A	N/A	N/A
1 1 0 1	1	4	0.25	622.08	155.52
1 1 1 0	4	16	0.25	622.08	38.88
1 1 1 1	16	64	0.25	622.08	9.72

Table 4: M1034 M/R Divider LUT

Note 1: Factory test mode; do not use.

Note 1: Factory test mode; do not use.



General Guidelines for M and R Divider Selection

General guidelines for M/R divider selection (see following pages for more detail):

- A lower phase detector frequency should be used for loop timing applications to assure PLL tracking, especially during GR-253 jitter tolerance testing. The recommended maximum phase detector frequency for loop timing mode is 19.44MHz.

P Divider Look-Up Table (LUT)

The P_SEL1 and P_SEL0 pins select the post-PLL divider value P. The output frequency of the SAW can be divided by 1 or 2 or the output can be TriStated as specified in Table 5.

P_SEL1:0	P Value	M1033-155.5200 or M1034-155.5200 Output Frequency (MHz)
0 0	2	77.76
0 1	1	155.52
1 0	2	77.76
1 1	TriState	N/A

Table 5: P Divider Look-Up Table (LUT)

FUNCTIONAL DESCRIPTION

The M1033/34 is a PLL (Phase Locked Loop) based clock generator that generates an output clock synchronized to one of two selectable input reference clocks. An internal high 'Q' SAW delay line provides low jitter signal performance.

A pin-selected look-up table is used to select the PLL feedback divider (M Div) and reference divider (R Div) as shown in Tables 3 and 4 on pg. 3. These look-up tables provide flexibility in both the overall frequency multiplication ratio (total PLL ratio) and phase detector frequency.

The M1033/34 includes a Loss of Reference (LOR) indicator for the currently selected reference input which can be used to provides status information to system management software. A Narrow Bandwidth (NBW) control pin is provided as an additional mechanism for adjusting PLL loop bandwidth without affecting the phase detector frequency.

An automatic input reselection feature, or "AutoSwitch" is also included in the M1033/34. When the AutoSwitch mode is enabled, the device will automatically switch to the other reference clock input when the currently selected reference clock fails (when LOR goes high). Reference selection is non-revertive, meaning that only one reference reselection will be made each time that AutoSwitch is re-enabled.

In addition to the AutoSwitch feature, a Phase Build-out option can be ordered with the device.



Input Reference Clocks

Two clock reference inputs and a selection mux are provided. Either reference clock input can accept a differential clock signal (such as LVPECL or LVDS) or a single-ended clock input (LVCMOS or LVTTTL on the non-inverting input).

A single-ended reference clock on the unselected reference input can cause an increase in output clock jitter. For this reason, differential reference inputs are preferred; interference from a differential input on the non-selected input is minimal.

Implementation of single-ended input has been facilitated by biasing nDIF_REF0 and nDEF_REF1 to Vcc/2, with 50kΩ to Vcc and 50kΩ to ground. Figure 4 shows the input clock structure and how it is used with either LVCMOS / LVTTTL inputs or a DC- coupled LVPECL clock.

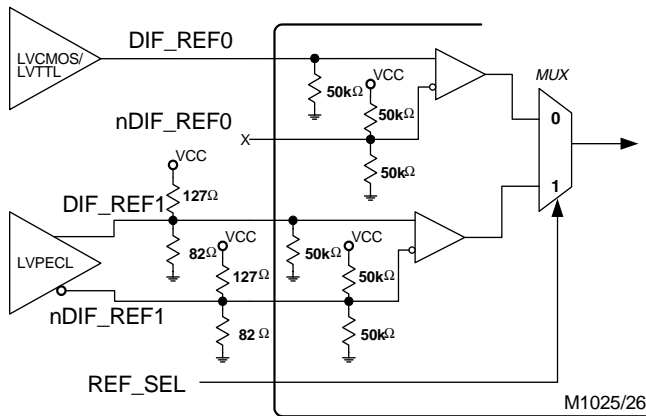


Figure 4: Input Reference Clocks

Differential LVPECL Inputs

Differential LVPECL inputs are connected to both reference input pins in the usual manner. The external load termination resistors shown in Figure 4 (the 127Ω and 82Ω resistors) will work for both AC and DC coupled LVPECL reference clock lines. These provide the 50Ω load termination and the VTT bias voltage.

Single-ended Inputs

Single-ended inputs (LVCMOS or LVTTTL) are connected to the non-inverting reference input pin (DIF_REF0 or DIF_REF1). The inverting reference input pin (nDIF_REF0 or nDIF_REF1) must be left unconnected.

In single-ended operation, when the unused inverting input pin (nDIF_REF0 or nDEF_REF1) is left floating (not connected), the input will self-bias at VCC/2.

PLL Operation

The M1033/34 is a complete clock PLL. It uses a phase detector and configurable dividers to synchronize the output of the VCSO with the selected reference clock.

The “M” divider divides the VCSO output frequency, feeding the result into the non-inverting input of the phase detector. The output of the “R” divider is fed into the inverting input of the phase detector. The phase detector compares its two inputs. The phase detector output, filtered externally, causes the VCSO to increase or decrease in speed as needed to phase- and frequency-lock the VCSO to the reference input.

The value of the M divider directly affects closed loop bandwidth.

The relationship between the nominal VCSO center frequency (Fvcso), the M divider, the R divider, and the input reference frequency (Fin) is:

$$F_{vcso} = F_{in} \times \frac{M}{R}$$

For the available M divider and R divider look-up table combinations, Tables 3 and 4 on pg. 3 list the Total PLL Ratio as well as Fin when using the M1033-11-155.5200 or the M1034-11-155.5200. (“Ordering Information”, pg. 14.)

Due to the narrow tuning range of the VCSO (±200ppm), appropriate selection of all of the following are required for the PLL be able to lock: VCSO center frequency, input frequency, and divider selections.

Post-PLL Divider

The M1033/34 features a post-PLL (P) divider. By using the P Divider, the device’s output frequency (Fout) can be the VCSO center frequency (Fvcso) or 1/2 Fvcso.

The P_SEL pin selects the value for the P divider: logic 1 sets P to 2, logic 0 sets P to 1. (See Table 5 on pg. 4.)

When the P divider is included, the complete relationship for the output frequency (Fout) is defined as:

$$F_{out} = \frac{F_{vcso}}{P} = F_{in} \times \frac{M}{R \times P}$$

Due to the narrow tuning range of the VCSO (±200ppm), appropriate selection of all of the following are required for the PLL be able to lock: VCSO center frequency, input frequency, and divider selections.



TriState

The TriState feature puts the LVPECL output driver into a high impedance state, effectively disconnecting the driver from the FOUT and nFOUT pins of the device. In application, the voltage of FOUT and nFOUT will be V_{TT} , the LVPECL termination voltage, due to the external output termination resistors (for LVPECL, this is an undefined logic condition). The impedance of the clock net is 50Ω , also due to the external circuit resistors (this is in distinction to a CMOS output in TriState, which goes to a high impedance and the logic value floats.) The 50Ω impedance level of the LVPECL TriState allows manufacturing In-circuit Test to drive the clock net with an external 50Ω generator to validate the integrity of clock net and the clock load.

Any unused output (single-ended or differential) should be left unconnected (floating) in system application. This minimizes output switching current and therefore minimizes noise modulation of the VCSO.

Loss of Reference Indicator (LOR) Output Pin

Each input reference port (DIF_REF0 and DIF_REF1) has an internal dedicated clock activity monitor circuit. The output from this circuit for the currently selected port is provided at device pin LOR, and is also used by the AutoSwitch circuit when the device is in Auto mode. The clock activity monitor circuits are clocked by the PLL phase detector feedback clock. The LOR output is asserted high if there are three consecutive feedback clock edges without any reference clock edges (in both cases, either a negative or positive transition is counted as an "edge"). The LOR output will otherwise be low. The activity monitor does not flag excessive reference transitions in an phase detector observation interval as an error. The monitor only distinguishes between transitions occurring and no transitions occurring.

Reference Acknowledgement (REF_ACK) Output

The REF_ACK (reference acknowledgement) pin outputs the value of the reference clock input that is routed to the phase detector. Logic 1 indicates input pair 1 (nDIF_REF1, DIF_REF1); logic 0 indicates input pair 0 (nDIF_REF0, DIF_REF0). The REF_ACK indicator is an LVCMOS output.

AutoSwitch (AUTO) Reference Clock Reselection

This device offers an automatic reference clock reselection feature for switching input reference clocks upon a reference clock failure. The automatic reference clock reselection feature, known as AutoSwitch, is controlled by the device application system through device pins. When the LOR output is low, the AUTO input pin can be set high by the system to place the device into AutoSwitch (automatic reselection) mode. Once in AutoSwitch mode, when LOR goes high (due to a fault in the selected reference clock), the input clock reference is automatically reselected by the internal AutoSwitch circuit, as indicated by the state change of the REF_ACK output. Automatic clock reselection is made only once (it is non-revertive) each time the AutoSwitch circuit is armed. Re-arming of automatic mode requires placing the device into Manual Selection mode (AUTO pin low) before returning to AutoSwitch mode (AUTO pin high). A more detailed discussion is provided in the following section.



Using the AutoSwitch Feature

See also Table 6, Example AutoSwitch Sequence.

In application, the system must be powered up with the device in Manual Select mode (AUTO pin is set low). The activity monitor output (LOR) should then be polled to verify that the input clock reference is valid. REF_SEL should be set to select the desired input clock reference. This selection determines the reference clock to be used in Manual Select mode and the initial reference clock used in AutoSwitch mode. Sufficient time must be allocated for the PLL to acquire lock to the selected input reference. In most system configurations, where loop bandwidth is in the range of 100-1000 Hz and damping factor below 10, a delay of 500 ms should be sufficient. The REF_SEL input state must be maintained when switching to AutoSwitch mode (AUTO pin high) and in addition must still be maintained until a reference fault occurs. If a reference fault occurs on the selected reference input, the LOR output goes high and the input reference is automatically reselected. The REF_ACK output always

indicates the reference selection status and the LOR output always indicated the selected input reference clock status. A successful automatic reselection is indicated by a change of state of the REF_ACK output.

If an automatic reselection is made to a non-active reference clock input, the REF_ACK output will change state and both LOR outputs will remain high.

No further automatic reselection is made by the device; only one reselection is made each time the AutoSwitch mode is armed by the system. AutoSwitch mode is re-armed by the system by placing the device into Manual Select mode (AUTO pin low) and then into AutoSwitch mode again (AUTO pin high). Following an automatic reselection and prior to selecting Manual Select mode (AUTO pin low), the REF_SEL pin has no control of reference selection. To prevent an unintentional reference reselection, AutoSwitch mode must not be re-enabled until the desired state of the REF_SEL pin is set and the LOR output is low. It is recommended to delay the re-arming of AutoSwitch mode, following an automatic reselection, to ensure the PLL is fully locked on the new reference.

Example AutoSwitch Sequence

0 = Low; 1 = High. Example with REF_SEL initially set to 0 (i.e., DIF_REF0 selected)

REF_SEL Input	Selected Clock Input	REF_ACK Output	AUTO Input	LOR Output	Conditions
Initialization					
0	DIF_REF0	0	0	0	Device power-up. Manual Select mode. DIF_REF0 input selected as the working reference. Both input references should be active.
0	DIF_REF0	0	-1-	0	AUTO set to 1: Device placed in AutoSwitch mode (with DIF_REF0 as working reference clock).
Operation & Activation					
0	DIF_REF0	0	1	0	Normal operation with AutoSwitch mode armed, with DIF_REF0 as the working reference clock; DIF_REF1 is the protection reference clock. Both input references should be active.
0	DIF_REF0	0	1	-1-	Due to loss of reference at DIF_REF0 input (clock fault), the LOR output asserts high, then device immediately goes to the following stage below.
0	-DIF_REF1-	-1-	1	-0-	Device initiates an automatic reselection to DIF_REF1 (indicated by REF_ACK pin), and then the LOR output asserts low, indicating an active reference on DIF_REF1.
Re-initialization					
-1-	DIF_REF1	1	1	-0-	When operation of DIF_REF0 is restored, the device can be prepared once again for AutoSwitch. Preparation begins by setting the REF_SEL pin to 1, which will maintain the current reference input selection when entering Manual Select mode.
1	DIF_REF1	1	-0-	0	AUTO set to 0: Manual Select mode entered briefly, manually selecting DIF_REF1 as the working reference.
1	DIF_REF1	1	-1-	0	AUTO set to 1: Device is now placed in AutoSwitch mode, re-initializing AutoSwitch with DIF_REF1 now specified as the working reference clock.

Table 6: Example AutoSwitch Sequence



Optional Phase Build-out Feature (PBOM)

The M1033/34 is available with a proprietary Phase Build-out feature. The Phase Build-out (PBOM) function enables the PLL to absorb most of the phase change of the input clock whenever an input reference reselection occurs. PBOM is triggered only by a change of state of the input reference selection mux.

PBOM identifies the unique "Phase Build-out only upon MUX reselection" feature of the M1035/36 devices. Other M1000 series devices use the PBO circuit that is triggered by an input phase transient.

A change of state of the input reference selection mux can occur through a REF_SEL input change in either manual or automatic mode; this will be indicated by a change in state of the REF_ACK output.

In general the two clock references presented to the M1033/34 will not be phase aligned. They also may not be the same frequency. Therefore at the time when the input reference reselection occurs, the PLL will not be phase locked to the new reference. The PBOM function selects a new VCSO clock edge for the PLL Phase Detector feedback clock, selecting the edge closest in phase to the new input clock phase. This reduces re-lock time, the generation of wander and extra output clock cycles. This also results in a phase change between the selected input reference and the clock outputs; again the idea of "phase build-out" is to absorb the phase change of input.

Narrow Bandwidth (NBW) Control Pin

A Narrow Loop Bandwidth control pin (NBW pin) is included to adjust the PLL loop bandwidth. In wide bandwidth mode (NBW=0), the internal resistor R_{in} is 100k Ω . With the NBW pin asserted, the internal resistor R_{in} is changed to 2100k Ω . This lowers the loop bandwidth by a factor of about 21 (approximately 2100 / 100) and lowers the damping factor by a factor of about 4.6 (the square root of 21), assuming the same loop filter components.



External Loop Filter

To provide stable PLL operation, the M1033/34 requires the use of an external loop filter. This is provided via the provided filter pins (see Figure 5).

Due to the differential signal path design, the implementation requires two identical complementary RC filters as shown here.

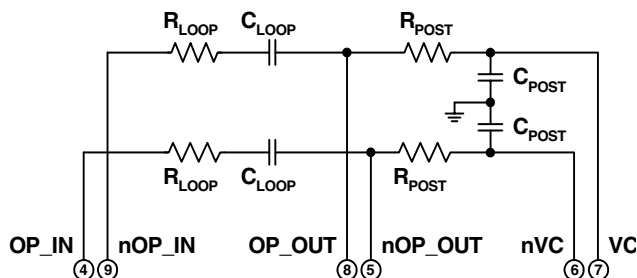


Figure 5: External Loop Filter

See Table 7, Example External Loop Filter Component Values, below.

PLL Bandwidth is affected by loop filter component values, the “M” value, and the “PLL Loop Constants” listed in AC Characteristics on pg. 12.

The MR_SEL3:0 settings can be used to actively change PLL loop bandwidth in a given application. See “M and R Divider Look-Up Tables (LUT)” on pg. 3.

Example External Loop Filter Component Values¹ for M1033-yz-155.5200 and M1034-yz-155.5200

VCSO Parameters: $K_{VCO} = 200\text{kHz/V}$, $R_{IN} = 100\text{k}\Omega$ (pin NBW = 0), VCSO Bandwidth = 700kHz.

F_{REF} (MHz)	Device Configuration					Example External Loop Filter Comp. Values				Nominal Performance Using These Values		
	F_{VCSO} (MHz)	MR_SEL3:0	MDiv	NBW		R_{LOOP}	C_{LOOP}	R_{POST}	C_{POST}	PLL Loop Bandwidth	Damping Factor	Passband Peaking (dB)
19.44 ²	155.52	0 0 0 0	8	0		6.8k Ω	10 μ F	82k Ω	1000pF	315Hz	5.4	0.068
38.88 ³	155.52	0 0 0 1	16	0		12k Ω	10 μ F	82k Ω	1000pF	270Hz	6.7	0.044
77.76 ⁴	155.52	0 1 0 1	8	0		6.8k Ω	10 μ F	82k Ω	1000pF	315Hz	5.4	0.068
77.76 ⁵	155.52	0 1 1 0	32	0		22k Ω	4.7 μ F	82k Ω	1000pF	250Hz	6.0	0.05
155.52 ⁴	155.52	1 0 1 0	16	0		12k Ω	10 μ F	82k Ω	1000pF	270Hz	6.7	0.044
155.52 ⁶	155.52	1 0 1 1	64	0		47k Ω	2.2 μ F	82k Ω	1000pF	266Hz	6.2	0.05

Table 7: Example External Loop Filter Component Values

Note 1: K_{VCO} , VCSO Bandwidth, M Divider Value, and External Loop Filter Component Values determine Loop Bandwidth, Damping Factor, and Passband Peaking. For PLL Simulator software, go to www.icst.com.

Note 2: This row is for the M1033 only.

Note 3: This row is for the M1034 only.

Note 4: Optimal for system clock filtering.

Note 5: Optimal for loop timing mode or where high input jitter tolerance is needed, phase detector frequency is 4.86 MHz.

Note 6: Optimal for loop timing mode or where high input jitter tolerance is needed, phase detector frequency is 2.43 MHz.

PLL Simulator Tool Available

A free PC software utility is available on the ICS website (www.icst.com). The M2000 Timing Modules PLL Simulator is a downloadable application that simulates PLL jitter and wander transfer characteristics. This enables the user to set appropriate external loop component values in a given application.

For guidance on device or loop filter implementation, contact CMBU (Commercial Business Unit) Product Applications at (508) 852-5400.



ABSOLUTE MAXIMUM RATINGS¹

Symbol	Parameter	Rating	Unit
V_I	Inputs	-0.5 to $V_{CC} + 0.5$	V
V_O	Outputs	-0.5 to $V_{CC} + 0.5$	V
V_{CC}	Power Supply Voltage	4.6	V
T_S	Storage Temperature	-45 to +100	°C

Table 8: Absolute Maximum Ratings

Note 1: Stresses beyond those listed under Absolute Maximum Ratings may cause permanent damage to the device. These ratings are stress specifications only. Functional operation of product at these conditions or any conditions beyond those listed in Recommended Conditions of Operation, DC Characteristics, or AC Characteristics is not implied. Exposure to absolute maximum rating conditions for extended periods may affect product reliability.

RECOMMENDED CONDITIONS OF OPERATION

Symbol	Parameter	Min	Typ	Max	Unit
V_{CC}	Positive Supply Voltage	3.135	3.3	3.465	V
T_A	Ambient Operating Temperature	Commercial	0	+70	°C
		Industrial	-40	+85	°C

Table 9: Recommended Conditions of Operation



ELECTRICAL SPECIFICATIONS

DC Characteristics

Unless stated otherwise, $V_{CC} = 3.3V \pm 5\%$, $T_A = 0^\circ C$ to $+70^\circ C$ (commercial), $T_A = -40^\circ C$ to $+85^\circ C$ (industrial), $F_{VCSO} = F_{OUT} = 150-175MHz$, LVPECL outputs terminated with 50Ω to $V_{CC} - 2V$

	Symbol	Parameter		Min	Typ	Max	Unit	Conditions
Power Supply	V_{CC}	Positive Supply Voltage		3.135	3.3	3.465	V	
	I_{CC}	Power Supply Current			175	225	mA	
All Differential Inputs	V_{P-P}	Peak to Peak Input Voltage		0.15			V	
	V_{CMR}	Common Mode Input	DIF_REF0, nDIF_REF0, DIF_REF1, nDIF_REF1	0.5		$V_{CC} - .85$	V	
	C_{IN}	Input Capacitance				4	pF	
Differential Inputs with Pull-down	I_{IH}	Input High Current (Pull-down)				150	μA	$V_{CC} = V_{IN} = 3.456V$
	I_{IL}	Input Low Current (Pull-down)	DIF_REF0, DIF_REF1	-5			μA	
	$R_{pulldown}$	Internal Pull-down Resistance			50		k Ω	
Differential Inputs Biased to $V_{CC}/2$	I_{IH}	Input High Current (Biased)				150	μA	$V_{IN} = 0$ to $3.456V$
	I_{IL}	Input Low Current (Biased)	nDIF_REF0, nDIF_REF1	-150			μA	
	R_{bias}	Biased to $V_{CC}/2$			See Figure 4			
All LVCMOS / LVTTTL Inputs	V_{IH}	Input High Voltage	AUTO, REF_SEL, MR_SEL3, MR_SEL2, MR_SEL1, MR_SEL0, P_SEL1, P_SEL0, NBW	2		$V_{CC} + 0.3$	V	
	V_{IL}	Input Low Voltage		-0.3		0.8	V	
	C_{IN}	Input Capacitance				4	pF	
LVCMOS / LVTTTL Inputs with Pull-down	I_{IH}	Input High Current (Pull-down)	AUTO, REF_SEL, MR_SEL3, MR_SEL2, MR_SEL1, MR_SEL0, P_SEL1, P_SEL0			150	μA	$V_{CC} = V_{IN} = 3.456V$
	I_{IL}	Input Low Current (Pull-down)		-5			μA	
	$R_{pulldown}$	Internal Pull-down Resistance			50		k Ω	
LVCMOS / LVTTTL Inputs with Pull-UP	I_{IH}	Input High Current (Pull-UP)				5	μA	$V_{CC} = 3.456V$ $V_{IN} = 0V$
	I_{IL}	Input Low Current (Pull-UP)	NBW	-150			μA	
	R_{pullup}	Internal Pull-UP Resistance			50		k Ω	
Differential Outputs	V_{OH}	Output High Voltage		$V_{CC} - 1.4$		$V_{CC} - 1.0$	V	
	V_{OL}	Output Low Voltage	FOUT, nFOUT	$V_{CC} - 2.0$		$V_{CC} - 1.7$	V	
	V_{P-P}	Peak to Peak Output Voltage ¹		0.4		0.85	V	
LVCMOS Output	V_{OH}	Output High Voltage	LOR, REF_ACK	2.4		V_{CC}	V	$I_{OH} = 1mA$
	V_{OL}	Output Low Voltage		GND		0.4	V	$I_{OL} = 1mA$

Note 1: Single-ended measurement. See Figure 6, Output Rise and Fall Time, on pg. 12.

Table 10: DC Characteristics



ELECTRICAL SPECIFICATIONS (CONTINUED)

AC Characteristics

Unless stated otherwise, $V_{CC} = 3.3V \pm 5\%$, $T_A = 0^\circ C$ to $+70^\circ C$ (commercial), $T_A = -40^\circ C$ to $+85^\circ C$ (industrial), $F_{VCSO} = F_{OUT} = 150\text{-}175\text{MHz}$, LVPECL outputs terminated with 50Ω to $V_{CC} - 2V$

Symbol	Parameter		Min	Typ	Max	Unit	Conditions	
F_{IN}	Input Frequency	DIF_REF0, nDIF_REF0, DIF_REF1, nDIF_REF1	15		700	MHz		
F_{OUT}	Output Frequency	FOUT, nFOUT	62.5		175	MHz		
APR	Absolute Pull-Range of VCSO	Commercial	± 120	± 200		ppm		
		Industrial	± 50	± 150		ppm		
PLL Loop Constants ¹	K_{VCO}	VCO Gain		200		kHz/V		
	R_{IN}	Internal Loop Resistor	Wide Bandwidth		100		k Ω	
			Narrow Bandwidth		2100		k Ω	
BW_{VCSO}	VCSO Bandwidth			700		kHz		
Phase Noise and Jitter	Φ_n	Single Side Band Phase Noise @ 155.52MHz	1kHz Offset		-83		dBc/Hz	Fin=19.44 or 38.88_MHz Tot. PLL ratio = 8 or 4. See pg. 3
			10kHz Offset		-113		dBc/Hz	
			100kHz Offset		-136		dBc/Hz	
	J(t)	Jitter (rms) @ 155.52MHz	12kHz to 20MHz		0.4	0.6	ps	
odc	Output Duty Cycle ²		45	50	55	%		
t_R	Output Rise Time ² for FOUT, nFOUT		350	450	550	ps	20% to 80%	
t_F	Output Fall Time ² for FOUT, nFOUT		350	450	550	ps	20% to 80%	

Table 11: AC Characteristics

Note 1: Parameters needed for PLL Simulator software; see Table 7, Example External Loop Filter Component Values, on pg. 9.

Note 2: See Parameter Measurement Information on pg. 12.

PARAMETER MEASUREMENT INFORMATION

Output Rise and Fall Time

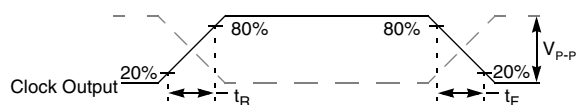


Figure 6: Output Rise and Fall Time

Output Duty Cycle

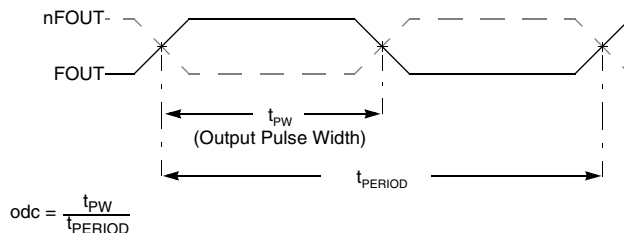
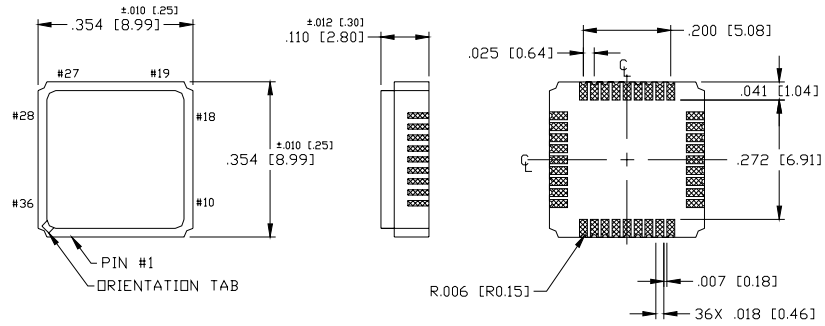


Figure 7: Output Duty Cycle



DEVICE PACKAGE - 9 x 9mm CERAMIC LEADLESS CHIP CARRIER

Mechanical Dimensions:



Refer to the SAW PLL application notes web page at www.icst.com/products/appnotes/SawPLLAppNotes.htm for application notes, including recommended PCB footprint, solder mask, and furnace profile.

NOTES:

1. DIMENSIONS ARE IN INCHES, DIMENSIONS IN [] ARE MM.
2. UNLESS OTHERWISE SPECIFIED ALL DIMENSIONS ARE ± 0.005 [0.13]

Figure 8: Device Package - 9 x 9mm Ceramic Leadless Chip Carrier



ORDERING INFORMATION

Part Numbering Scheme

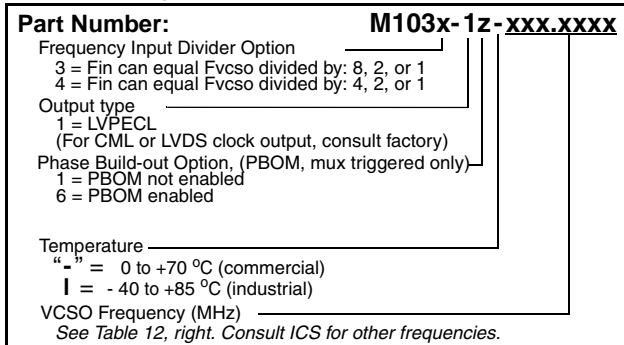


Figure 9: Part Numbering Scheme

Consult ICS for the availability of other VCSO frequencies.

Note *: Fout can equal Fvcs0 divided by: 1 or 2

Standard VCSO Output Frequencies (MHz)*

125.0000	167.3280
155.5200	167.3316
156.2500	167.7097
156.8324	168.0400
161.1328	172.6423
166.6286	173.3708
167.2820	

Table 12: Standard VCSO Output Frequencies (MHz)

Example Part Numbers

VCSO Frequency (MHz)	Temperature	Order Part Number (Examples)
155.52	commercial	M1033-11-155.5200 or M1034-11-155.5200
	industrial	M1033-11I155.5200 or M1034-11I155.5200
156.25	commercial	M1033-11-156.2500 or M1034-11-156.2500
	industrial	M1033-11I156.2500 or M1034-11I156.2500

Table 13: Example Part Numbers

While the information presented herein has been checked for both accuracy and reliability, Integrated Circuit Systems (ICS) assumes no responsibility for either its use or for the infringement of any patents or other rights of third parties, which would result from its use. No other circuits, patents, or licenses are implied. This product is intended for use in normal commercial applications. Any other applications such as those requiring extended temperature range, high reliability, or other extraordinary environmental requirements are not recommended without additional processing by ICS. ICS reserves the right to change any circuitry or specifications without notice. ICS does not authorize or warrant any ICS product for use in life support devices or critical medical instruments.