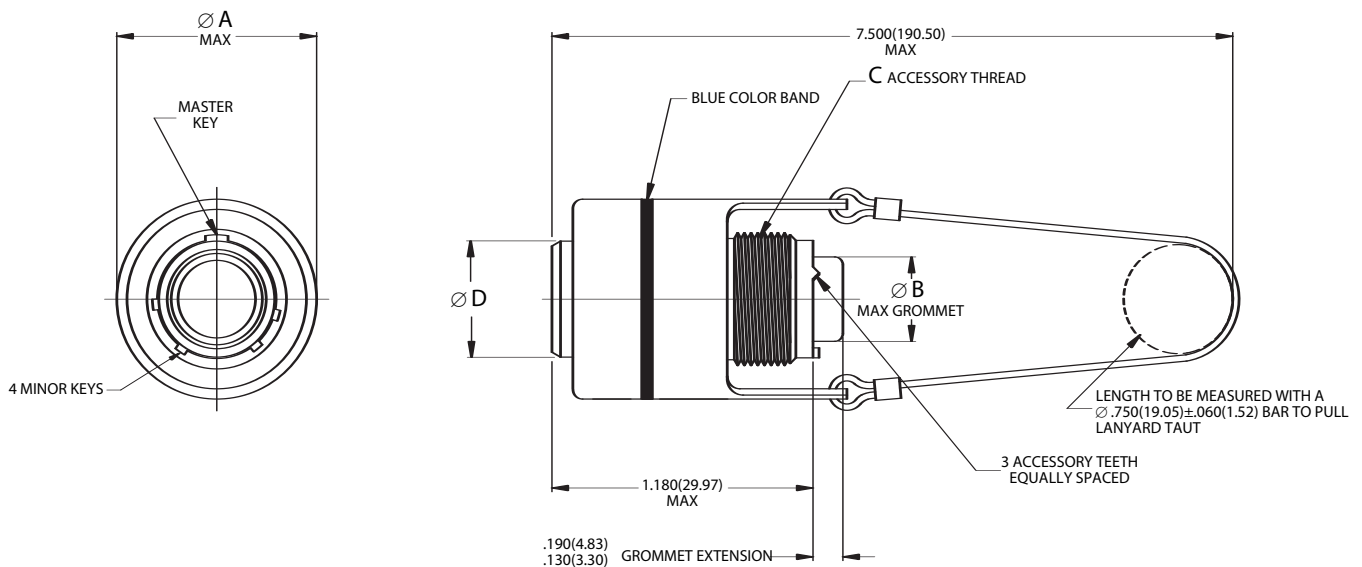


**M83723/68, 69**  
**Lanyard Release, Quick-Disconnect Plug**  
**AE83368, 69**



Quick-Disconnect, Threaded Coupling, Crimp Removable, Rear Release



Page 93	Completed Part Number
Page 104	Contacts, Sealing Plugs and Tools
Pages 107, 108	Insert Arrangements
Page 87	Performance Specifications
Page 106	Insert Availability and Contact Information
Page 102	Polarization

**Note 1:** M83723/70 receptacle adapter (page 101) is required to mate the Quick-Disconnect Plug with a receptacle.

**Note 2:** Not available in shell size 8.

Shell Size	$\varnothing A$		$\varnothing B$		C Accessory Thread Class 2A	$\varnothing D$	
	Maximum		Maximum				
	inch	mm	inch	mm	inch	mm	
10	1.240	31.50	.405	10.29	5/8-24UNEF	.526/.517	13.36/13.13
12	1.432	36.37	.531	13.49	3/4-20UNEF	.696/.687	17.68/17.45
14	1.490	37.85	.665	16.89	7/8-20UNEF	.765/.756	19.43/19.20
16	1.711	43.46	.790	20.07	1-20UNEF	.892/.883	22.66/22.43
18	1.815	46.10	.869	22.07	1-1/16-18UNEF	.998/.989	25.35/25.12
20	1.962	49.83	.994	25.25	1-3/16-18UNEF	1.123/1.114	28.52/28.30
22	2.070	52.58	1.119	28.42	1-5/16-18UNEF	1.248/1.239	31.70/31.47
24	2.195	55.75	1.244	31.60	1-7/16-18UNEF	1.373/1.364	34.87/34.65