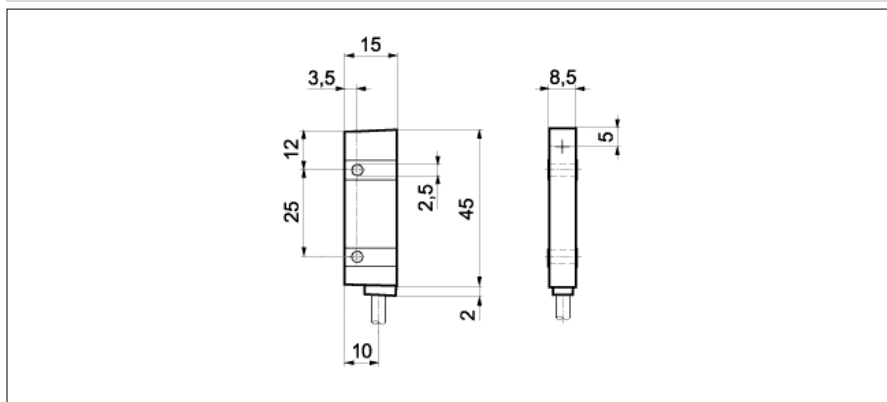


Magnetic sensors

MDFK 08 (2 channels)

sample drawing



sample picture

