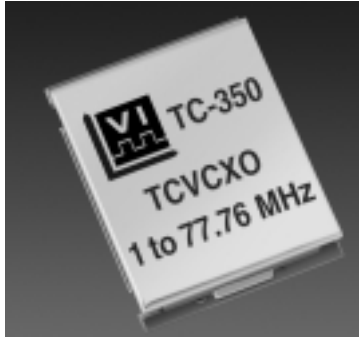


Temperature Compensated Crystal Oscillators (TCXO's)

TC-350 (Z6 Series)



Description:

Vectron International has introduced a series of low profile surface mount, Temperature Compensated Crystal Oscillators (TCXO's) available in frequencies from 1 to 77.76 MHz.

Features:

- Low profile surface mount package
- Frequency from 1 to 77.76 MHz
- 3.3 Vdc or 5 Vdc operation
- TTL & HCMOS outputs

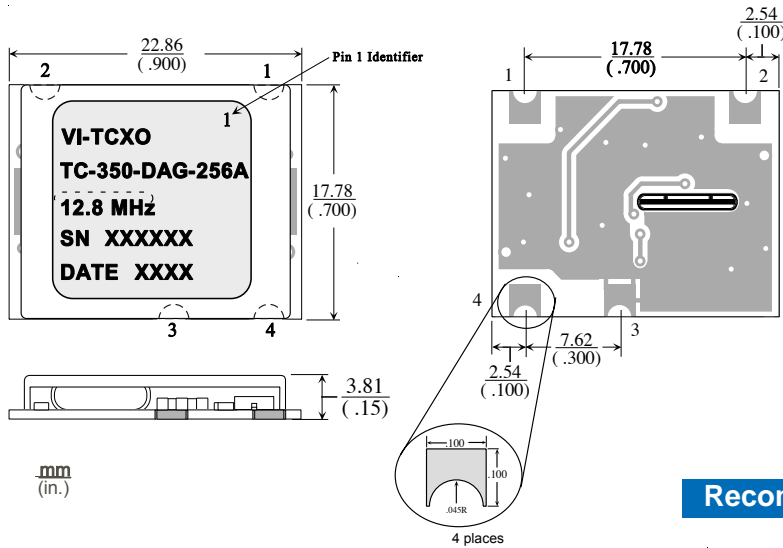
Performance Characteristics

Performance	Characteristics	
Standard Frequencies:	10, 12.8, 13, 16.384, 19.44, 20, 20.48, 27 MHz Available from 1 MHz to 77.76 MHz	
Package Size:	22.86 x 17.78 x 3.81 mm (0.90" x 0.70" x 0.15")	
Supply Voltage (Vdd):	3.3 Vdc $\pm 5\%$, 5 Vdc $\pm 5\%$ (other options are available upon request)	
Current:	Current draw will vary greatly depending on frequency and output type. For this series TCXO typical current draw will be about 10 mA. Please consult the factory about your exact current requirements.	
Output Type:	HCMOS / ACMOS	10 TTL
Voh min.:	0.8 (Vdd)	2.4 Vdc
Vol max.:	0.5 Vdc	0.5 Vdc
Rise/Fall Time:	5 ns max. (20%-80%)	10 ns max. (0.8 Vdc to 2.0 Vdc)
Symmetry (Duty Cycle):	50/50 $\pm 10\%$	50/50 $\pm 10\%$
Load:	100k ohm // 10 PF	10 TTL
Temperature Stability: Note: Not all stabilities are available with all frequency/output combinations. Please consult the factory.	B-507 - $\pm 5.0 \times 10^{-7}$ over 0°C to +50°C B-106 - $\pm 1.0 \times 10^{-6}$ over 0°C to +50°C C-507 - $\pm 5.0 \times 10^{-7}$ over 0°C to +70°C C-106 - $\pm 1.0 \times 10^{-6}$ over 0°C to +70°C D-757 - $\pm 7.5 \times 10^{-7}$ over -20°C to +70°C D-156 - $\pm 1.5 \times 10^{-6}$ over -20°C to +70°C F-106 - $\pm 1.0 \times 10^{-6}$ over -40°C to +85°C F-206 - $\pm 2.0 \times 10^{-6}$ over -40°C to +85°C G-256 - $\pm 2.5 \times 10^{-6}$ over -55°C to +85°C NOTE: Tighter stabilities and wider temperature ranges are available, please consult the factory.	
Aging (typical):	<5 ppm for ten years @ +70°C	
Frequency vs. Supply:	< ± 0.1 ppm for a $\pm 5\%$ change in supply voltage	
Electrical Frequency Adjust:	± 5 ppm minimum via external voltage, 0 to Vdd, positive slope	

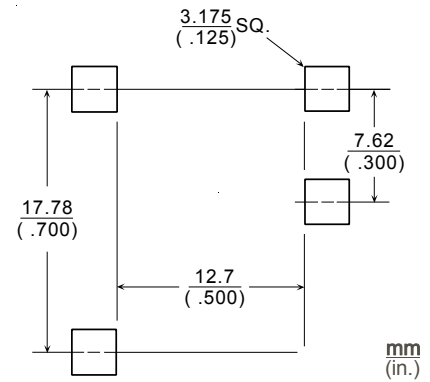
Temperature Compensated Crystal Oscillators (TCXO's)

TC-350 (Z6 Series)

Outline Drawing



Pad Layout

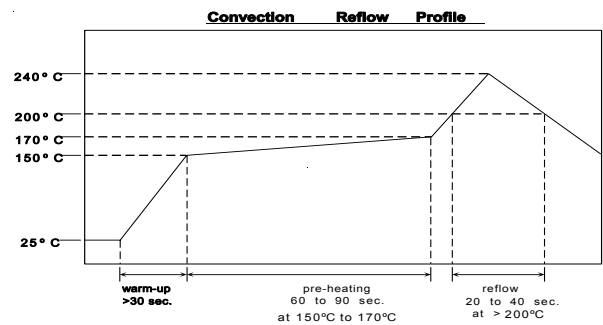


TCXO

Pin Out Information

Pin	Function
1	Output
2	Frequency Adjust
3	Gnd
4	Supply

Recommended Reflow Profile



Ordering Information

