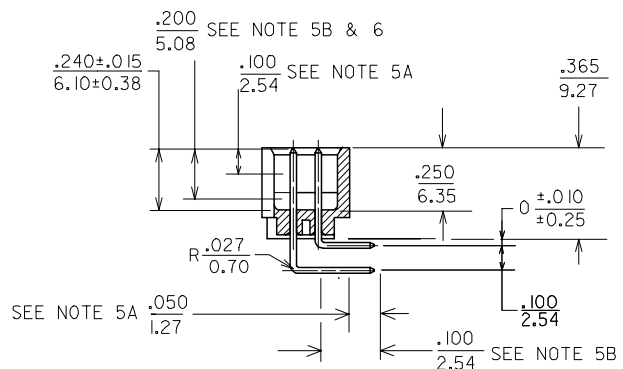
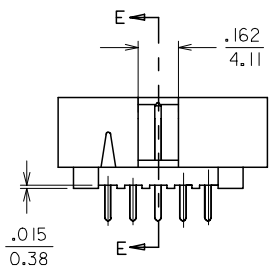
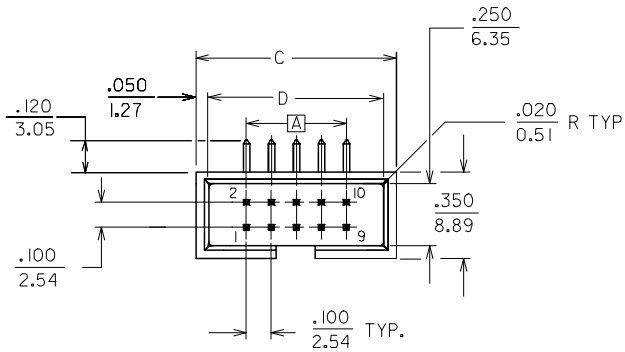
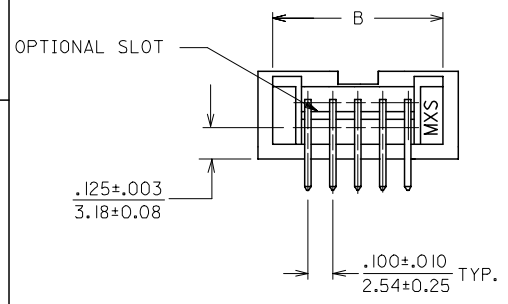


10 9 8 7 6 5 4 3 2 1

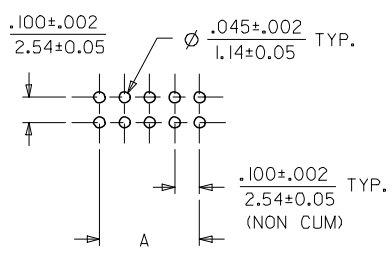
CKT SIZE	VOID(S) CKT NO.	A	B	C	D
20	13	0.900/22.86	1.180/29.97	1.300/33.02	1.200/30.48



SECTION E-E



RECOMMENDED P.C. BOARD HOLE LAYOUT



NOTES:

- PIN PUSHOUT FORCE (.9072KG)/2LBS MIN.
- PIN SOLDERABILITY PER MOLEX SPEC. ES-152
- PRODUCT SPEC: PS-70246 APPLIES.
- WAFER TO BE FLAT WITHIN (0.03MM/CM) 0.003IN/IN
- DIMENSIONS FOR PLATING LOCATION :
A-MEASURE POINT FOR THICKNESS
B-MINIMUM COVERAGE
- GOLD END OF PIN UNLESS OVERALL PLATED.
- PLATING : 15uIN MIN AU & 75uIN MIN TIN IN SELECTED AREAS OVER 50uIN MIN. NICKEL OVERALL.
- FOR ILLUSTRATION PURPOSE, CKT. SIZE 10 IS SHOWN.
- MATERIAL:
HSG: PBT, GLASS FILLED, UL94 V-0, COLOR: BLACK.
PIN: .025 SQUARE, COPPER ALLOY.

OBS TIN/LEAD P/N EC NO: S2006-0952 DRWN: LONG CHKD: NAGESHKN APPR: PTL IM	2006/04/17	2006/04/18	2006/04/21
	DESCRIPTION		
	REV		

QUALITY SYMBOLS	▽=0	△=0
-----------------	-----	-----

GENERAL TOLERANCES (UNLESS SPECIFIED)	
4 PLACES	± ---
3 PLACES	± ---
2 PLACES	± 0.25
1 PLACE	± ---
ANGULAR ± 3 °	
DRAFT WHERE APPLICABLE MUST REMAIN WITHIN DIMENSIONS	

DIMENSION STYLE IN/MM	
DRAWN BY	DATE
PTL IM	1996/04/15
CHECKED BY	DATE
KCL ING	1996/04/15
APPROVED BY	DATE
RWONG	1996/04/15
MATERIAL NO.	70247-2015

SCALE NTS	DESIGN UNITS METRIC	THIRD ANGLE PROJECTION
TITLE C-GRID, SHROUDED HEADER R/A (SLOTTED W/O STANDOFF)		
MOLEX INCORPORATED		
DOCUMENT NO. SD-70247-**05	SHEET NO. 1 OF 1	
THIS DRAWING CONTAINS INFORMATION THAT IS PROPRIETARY TO MOLEX INCORPORATED AND SHOULD NOT BE USED WITHOUT WRITTEN PERMISSION		

9 8 7 6 5 4 3 2 1