

FEATURES AND SPECIFICATIONS

Features and Benefits

Plug and header

- Side-stacking version (side-by-side)
- Moveable screw clamp with captive screw
- Test facility
- Blocks from 2 to 25 positions for 5mm pitch
- Blocks from 2 to 13 positions for 10mm pitch
- Vertical (180°) and angled (90°) mounting type

Applications

- The header is mounted and soldered to the PCB
- The plug mates with the header through a twin leaf contact, and has a moveable screw clamp to hold the wire without damaging it

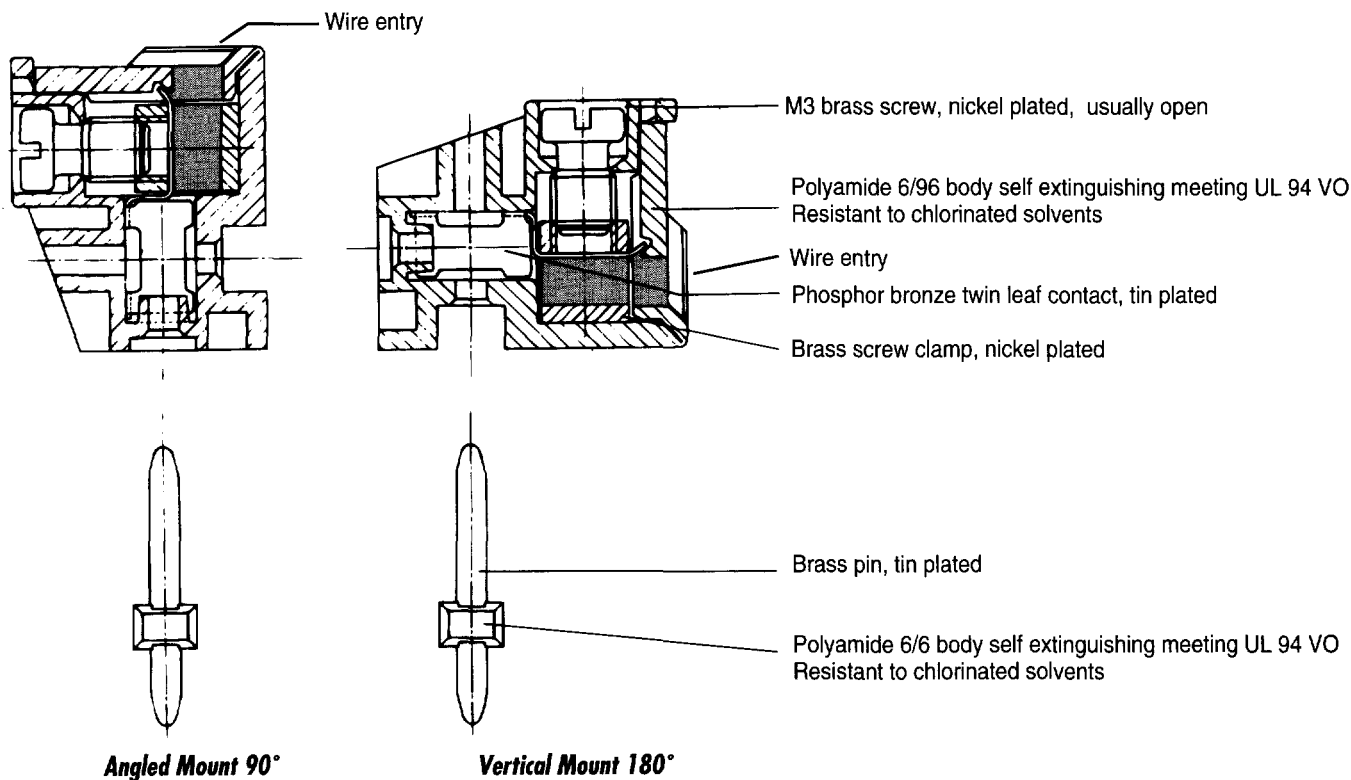
Electrical

Voltage: Pitch 5mm—250V
 Pitch 10mm—750V
 Current: 6A
 Contact Resistance: 15mΩ max.
 Insulation Resistance: 10⁹Ω min. (500V DC)
 Wire Range: 30-16 AWG

Physical

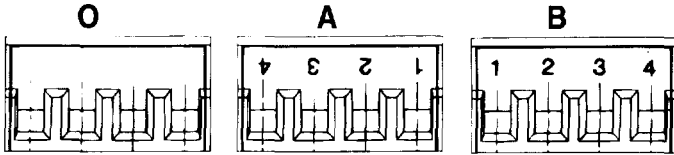
Mounting Hole: 1.4mm min.
 Color: Green
 Temperature: -40 to 110°C

molex Molex ETC™
CSF/CSM Series
Pluggable Terminal Blocks

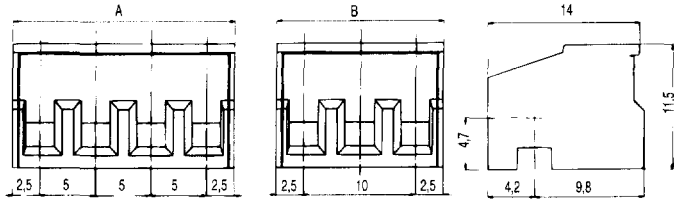


PLUG CONNECTOR

Marking Style



Dimensions



No. of Positions	A 5mm	B 10mm
02	10	15
03	15	25
04	20	35
05	25	45
06	30	55
07	35	65
08	40	75
09	45	85
10	50	95
11	55	105
12	60	115
13	65	125

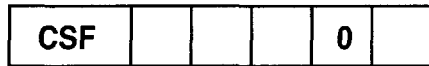
No. of Positions	A 5mm	B 10mm
14	70	
15	75	
16	80	
17	85	
18	90	
19	95	
20	100	
21	105	
22	110	
23	115	
24	120	
25	125	

Pitch

■ 1—5mm (.197"), 2—10mm (.394")

To pick a part number—Complete the ordering code by choosing the number of Positions, the style of Marking (O, A, B), and the Pitch

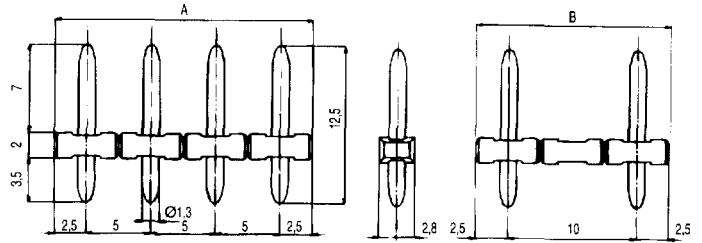
ordering code



NUMBER of POSITIONS
 MARKING STYLE
 PITCH

HEADER

Dimensions



No. of Positions	A 5mm	B 10mm
02	10	15
03	15	25
04	20	35
05	25	45
06	30	55
07	35	65
08	40	75
09	45	85
10	50	95
11	55	105
12	60	115
13	65	125

No. of Positions	A 5mm	B 10mm
14	70	
15	75	
16	80	
17	85	
18	90	
19	95	
20	100	
21	105	
22	110	
23	115	
24	120	
25	125	

Pitch

■ 1—5mm (.197"), 2—10mm (.394")

To pick a part number—Complete the ordering code by choosing the number of Positions and the Pitch

ordering code



NUMBER of POSITIONS
 PITCH