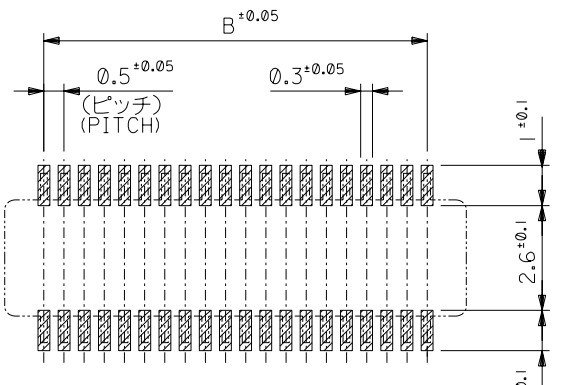
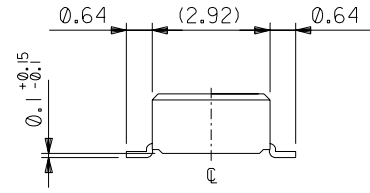
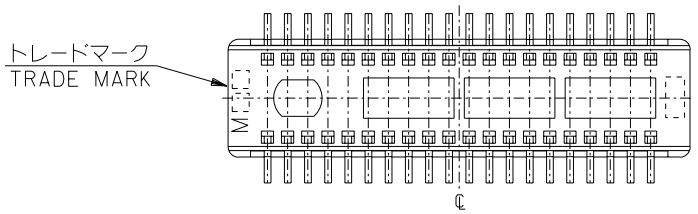
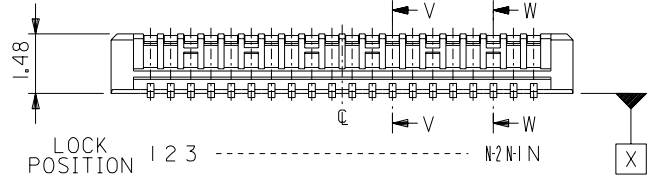
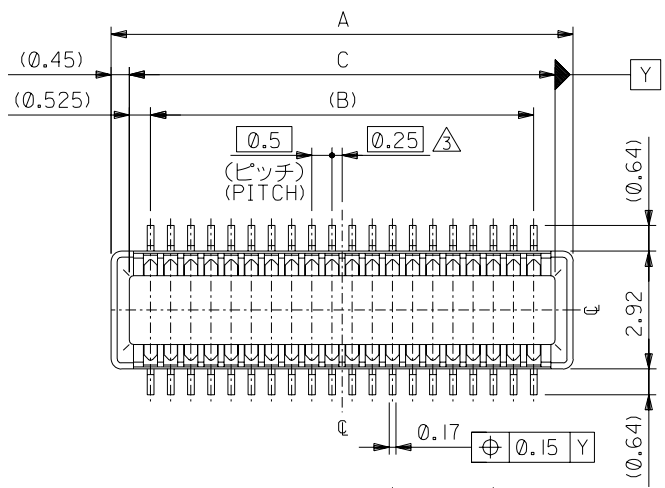
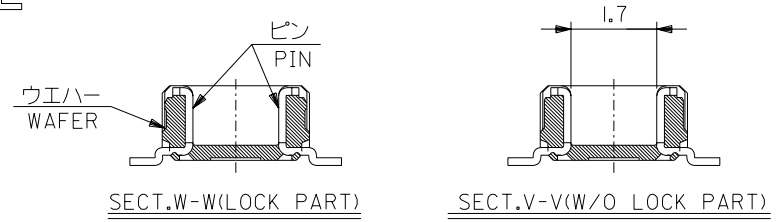


DWG. NO.
SD-500334-001



参考基板レイアウト (マウント面)
P.C. BOARD PATTERN DIMENSION (REF.)
(MOUNTING AREA)



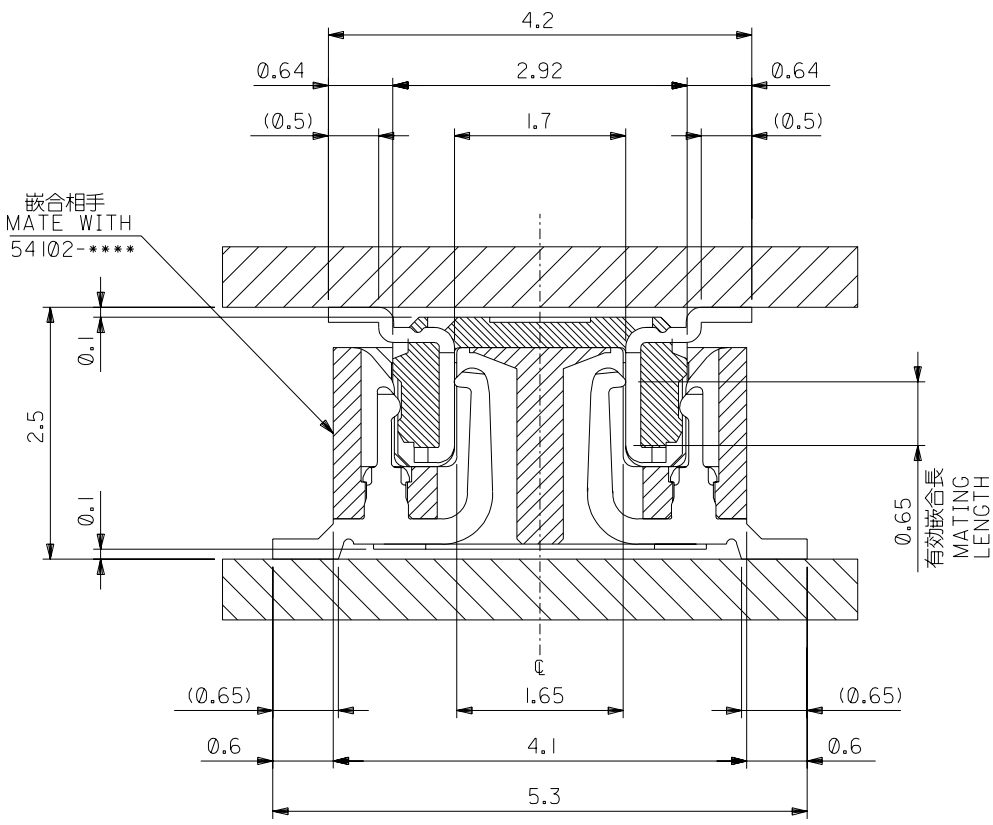
ALL	8.05	7	8.95	500334-0308	30
	5.55	4.5	6.45	500334-0208	20
	4.55	3.5	5.45	500334-0168	16
LOCK POSITION	C	B	A	MATERIAL No.	CIRCUIT

DO NOT SCALE DRAWING

EC NO. DRWN: CHK: APPR:	EC NO. DRWN: CHK: APPR:	EC NO. DRWN: CHK: APPR:	REVISED '04/03/22 EC NO. J2004-2899 DRWN: K.TOYODA CHK: K.ASAKAWA APPR: S.ICHIKAWA	RELEASED '03/04/04 EC NO. J2003-2536 DRWN: T.YASUI CHK: T.IITO APPR: T.YAMAGUCHI	DESCRIPTION	MATERIAL 材料	GENERAL TOLERANCES: (UNLESS SPECIFIED) 一般公差	SCALE —//	MODEL No. 500334-***8	DESIGN UNITS <input checked="" type="checkbox"/> mm <input type="checkbox"/> INCH	THIRD ANGLE PROJECTION	DIMENSIONS: <input type="checkbox"/> mm <input type="checkbox"/> INCH <input type="checkbox"/> mm ONLY	SHT	REV
			A	0	注記参照 SEE NOTES	FINISH 仕上げ	10 UNDER 未満	10 OVER 以上	30 UNDER 未満	30 OVER 以上	ANGLE 角度	TITLE: 0.5 BOARD TO BOARD Conn PLUG Assy (Hgt=2.5) -LEAD FREE-		
					WIRE RANGE 適用線径範囲	INS. RANGE 被覆外径	—//	—//	—//	3°	MOLEX INCORPORATED			
												MATERIAL NO. SEE CHART	DRAWING NO. SD-500334-001	SHEET NO. 1 OF 2
THIS DRAWING CONTAINS INFORMATION THAT IS PROPRIETARY TO MOLEX INCORPORATED AND SHOULD NOT BE USED WITHOUT WRITTEN PERMISSION.												SIZE B		

DWG. NO. SD-500334-001

DO NOT SCALE DRAWING



嵌合断面図 (参考)
MATED DRAWING (REF.)

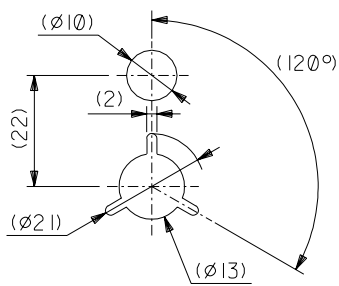
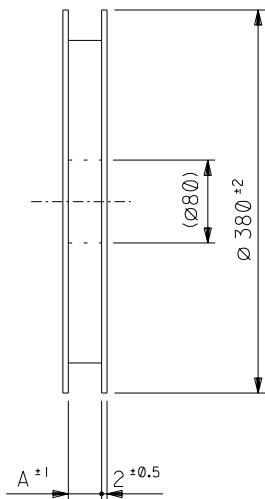
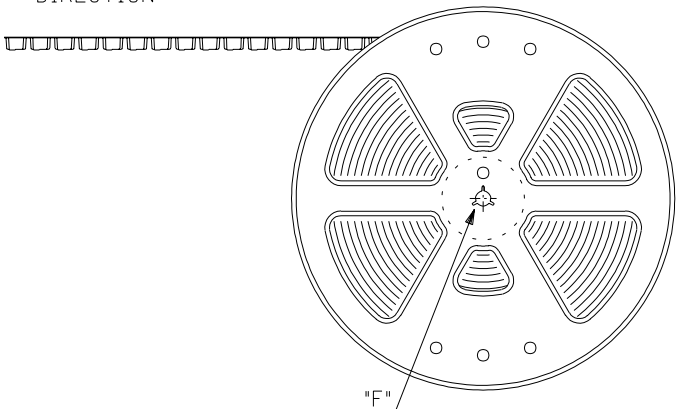
注記 NOTES:

1. 使用材料 MATERIAL
ハウジング: 液晶ポリマー (LCP), ガラス充填, UL94V-0, 色: 黒
HOUSING: LIQUID CRYSTAL POLYMER(LCP), GLASS FILLED UL94V-0, COLOR: BLACK
ターミナル: 黄銅 (t=0.15)
TERMINAL: BRASS (t=0.15)
2. メッキ仕様 PLATING
金メッキ 0.25マイクロメートル以上 (コンタクト部)
GOLD(AU) 0.25 MICROMETER MINIMUM (CONTACT AREA)
金メッキ 0.4マイクロメートル以下 (テール部)
GOLD(AU) 0.4 MICROMETER MAXIMUM (TAIL AREA)
下地メッキ: ニッケルメッキ 1.5マイクロメートル以上
UNDER PLATING: NICKEL 1.5 MICROMETER MINIMUM
3. (全極数/2) = 偶数の場合に適用。
APPLY FOR (CIRCUIT/2)=EVEN.
4. 嵌合相手: 54102シリーズ
MATE WITH: 54102 SERIES.
5. テール平坦度は 0.1以下。
TAIL COPLANARITY TO BE 0.1 MAXIMUM.

64 NO. DRWN: CH'K: APPR: 63 NO. DRWN: CH'K: APPR: 62 NO. DRWN: CH'K: APPR: 61 NO. DRWN: CH'K: APPR: A		SEE SHEET 1 OF 2 60 NO. DRWN: CH'K: APPR: 0	MATERIAL 材料 注記参照 SEE NOTES FINISH 仕上げ // WIRE RANGE 適用電線範囲 // INS. RANGE 被覆外径 //	GENERAL TOLERANCES: (UNLESS SPECIFIED) 一般公差 10 UNDER 未満 ±0.2 10 OVER 以上 30 UNDER 未満 ±0.25 30 OVER 以上 ±0.3 ANGLE 角度 ±3°	MODEL No. 500334-***8 DIMENSIONS: mm INCH mm ONLY SHT 2 OF 2 REV B TITLE: 0.5 BOARD TO BOARD Conn PLUG Assy (Hgt=2.5) -LEAD FREE- MOLEX INCORPORATED CAD FILENAME SD-500334-001.S02 MATERIAL NO. SEE CHART DRAWING NO. SD-500334-001 SHEET NO. 2 OF 2 SIZE B	DRAWN BY & DATE T.YASUI '03/ 4/ 4 CHECKED BY & DATE T.ITO '03/ 4/ 7 APPROVED BY & DATE T.YAMAGUCHI '03/ 4/ 7 MATED DRAWING CONTAINS INFORMATION THAT IS PROPRIETARY TO MOLEX INCORPORATED AND SHOULD NOT BE USED WITHOUT WRITTEN PERMISSION.
---	--	---	--	--	--	---

DWG. NO. SD-500334-002

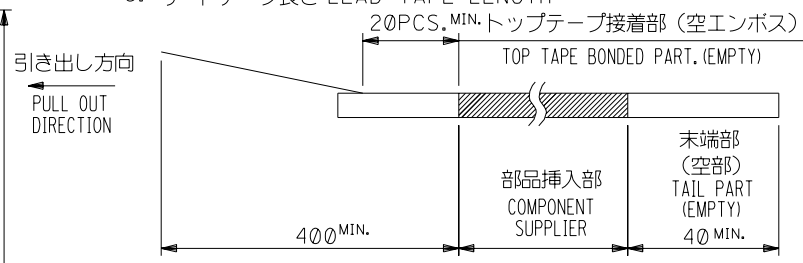
引き出し方向
PULL OUT
DIRECTION



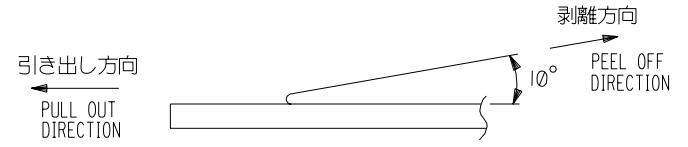
DETAIL "F"

NOTES

1. 製品詳細寸法については図面SD-500334-001を参照下さい。
RE DETAILED DIMENSION, SEE SD-500334-001
2. 梱包数量：3000個/リール
NUMBER OF CONNECTORS：3000PCS/REEL
3. リードテープ長さ LEAD TAPE LENGTH



4. トップテープの剥離強度：0.1N ~ 0.7N(10.2gf ~ 71.4gf)
(剥離方向は下図参照)
尚、本規格値は出荷時に適用。(但し、輸送時に剥離が発生しないこと。)
PEELING OFF FORCE OF TOP TAPE：0.1N ~ 0.7N(10.2gf ~ 71.4gf)
(PEELING DIRECTION AS SHOWN IN FOLLOWING FIG.)
THIS REQUIREMENT SHOULD BE APPLIED AT SHIPMENT.
PEEL OFF SHOULD NOT BE ALLOWED, DURING TRANSPORTATION.



5. 材料(MATERIAL)
キャリアテープ(CARRIER TAPE)：ポリプロピレン(POLYPROPYLENE)
トップテープ(TOP TAPE)：PET, PE, PEF
リール(REEL)：ポリスチレン(PS) <リサイクル材を含む>
POLYSTYRENE(PS) <RECYCLE MATERIAL CONTAINED>

DO NOT SCALE DRAWING

EC NO. DRWN: CH'K: APPR:		EC NO. DRWN: CH'K: APPR:		EC NO. DRWN: CH'K: APPR:		REVISED '04/03/22 EC NO. J2004-2899 DRWN: K. TOYODA CH'K: K. ASAKAWA APPR: S. ICHIKAWA		EC NO. J2003-2769 DRWN: T. YASUI CH'K: T. ITO APPR: T. YAMAGUCHI		MATERIAL 材料 注記参照 SEE NOTES		GENERAL TOLERANCES: (UNLESS SPECIFIED) 一般公差		SCALE —//—		MODEL No. 500334-***0		DIMENSIONS: <input type="checkbox"/> mm <input type="checkbox"/> INCH <input checked="" type="checkbox"/> mm ONLY		SHT		REV	
						A		0		//		10 UNDER 未満		±0.2		DRAWN BY & DATE T. YASUI '03/ 4/28		THIRD ANGLE PROJECTION		REVISION ON CAD ONLY			
										//		10 OVER 30 UNDER 未満		±0.25		CHECKED BY & DATE T. ITO '03/ 4/29				TITLE: Embstp Pkg FOR 0.5 B-To-B PLUG Assy (Hg+=2.5) -LEAD FREE-			
										//		30 OVER 以上		±0.3		APPROVED BY & DATE T. YAMAGUCHI '03/ 4/29				MOLEX MOLEX INCORPORATED			
										//		ANGLE 角度		±3°		CAD FILENAME SD-500334-002.S01		MATERIAL NO. SEE SHEET 2 OF 2		DRAWING NO. SD-500334-002		SHEET NO. 1 OF 2	
										//										THIS DRAWING CONTAINS INFORMATION THAT IS PROPRIETARY TO MOLEX INCORPORATED AND SHOULD NOT BE USED WITHOUT WRITTEN PERMISSION.		SIZE B	

A
SD-500334-002.S01

DWG. NO.
SD-500334-002

8 7 6 5 4 3 2 1

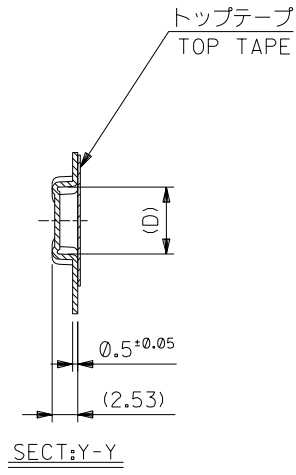
F

D

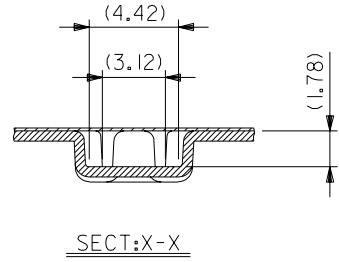
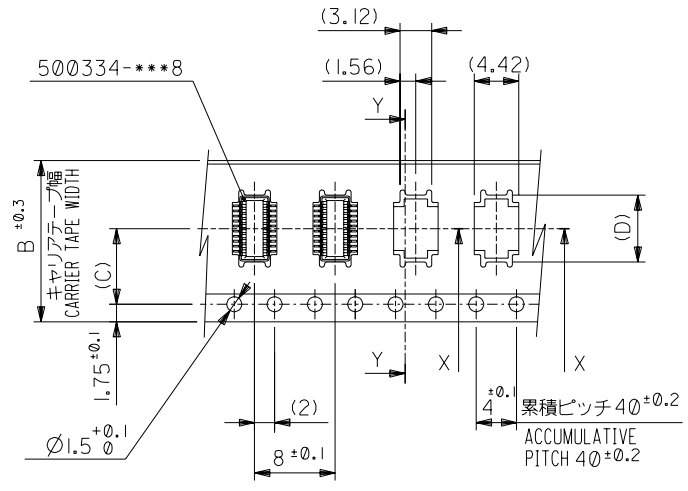
C

B

DO NOT SCALE DRAWING



引き出し方向
PULL OUT DIRECTION



16mm幅キャリアテープ
16mm WIDTH CARRIER TAPE

9.15	11.5	24	24.5	500334-0300	30
5.65	7.5	16	17.5	500334-0160	16
(D)	(C)	B	A	MATERIAL No.	極数 CKT.

EC NO. DRWN: CHK: APPR:	EC NO. DRWN: CHK: APPR:	EC NO. DRWN: CHK: APPR:	EC NO. DRWN: CHK: APPR:	EC NO. DRWN: CHK: APPR:	SEE SHEET 1 OF 2 EC NO. DRWN: CHK: APPR:	DESCRIPTION MATERIAL 材料 SHEET 1 OF 2 参照 REFER TO SHEET 1 OF 2	GENERAL TOLERANCES: (UNLESS SPECIFIED) 一般公差	SCALE —//	MODEL No. DESIGN UNITS 500334-***8 <input checked="" type="checkbox"/> mm <input type="checkbox"/> INCH	THIRD ANGLE PROJECTION <input type="checkbox"/> mm <input type="checkbox"/> INCH <input checked="" type="checkbox"/> mm ONLY	DIMENSIONS: <input type="checkbox"/> mm <input type="checkbox"/> INCH	SHT REV	REV REVISION
				A	0	FINISH 仕上げ —//—	10 UNDER 未満 ±0.2	DRAWN BY & DATE T.YASUI '03/4/28	TITLE: Embstp Pkg FOR 0.5 B-To-B PLUG Assy (Hgt=2.5) -LEAD FREE-				
						WIRE RANGE 適用電線範囲 —//—	10 OVER 30 UNDER 以上 未満 ±0.25	CHECKED BY & DATE T.ITO '03/4/29					
						INS. RANGE 被覆外径 —//—	30 OVER 以上 ±0.3	APPROVED BY & DATE T.YAMAGUCHI '03/4/29					
							ANGLE 角度 ±3°	CAD FILENAME SD-500334-002.S02	MATERIAL NO. SEE CHART	DRAWING NO. SD-500334-002	SHEET NO. 2 OF 2		
THIS DRAWING CONTAINS INFORMATION THAT IS PROPRIETARY TO MOLEX INCORPORATED AND SHOULD NOT BE USED WITHOUT WRITTEN PERMISSION.												SIZE B	

8 7 6 5 4 3 2 1 EN-02J(097) MXJ-54

SD-500334-002.S02