

(2,54mm) .100"
BSW SERIES

BOTTOM MOUNT SOCKET STRIPS

Mates with:
 TSW, MTSW, MTLW,
 EW, ZW, TSM

FEATURES

- Bottom mount socket strips accept .025" SQ terminals.
- Ideal for soldering and plugging from the same side of the board.
- For low profile connections and high temperature soldering.

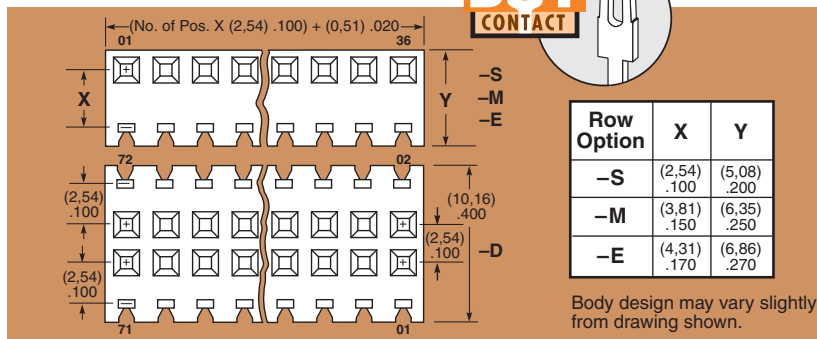
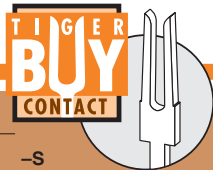
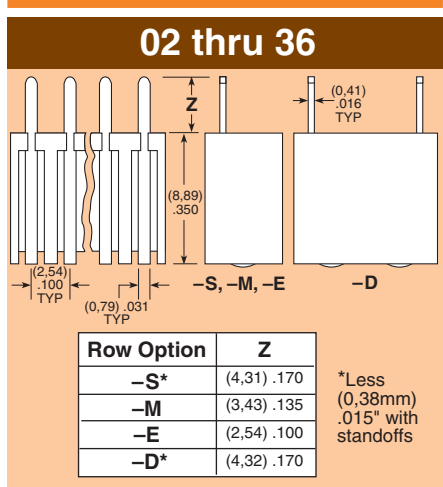
SPECIFICATIONS

For complete specifications and recommended PCB layouts see www.samtec.com?BSW

Insulator Material:
 Black High Temperature Thermoplastic
Insulation Resistance:
 5000 MΩ min
Contact Material:
 Phosphor Bronze
Plating:
 Au or Sn over 50μ" (1,27μm) Ni
Current Rating:
 3A
Operating Temp Range:
 -55°C to +125°C with Gold
 -55°C to +105°C with Tin
Withstanding Voltage:
 1000 VRMS @ 60 Hz
Contact Resistance:
 10 mΩ max
Insertion Depth:
 (3,68mm) .145" to (6,35mm) .250"
Insertion Force:
 (Single contact only)
 Standard = 8oz (2,23N) avg.
 Low Insertion Force = 3oz (0,83N) avg.
Withdrawal Force:
 (Single contact only)
 Standard = 8oz (2,23N) avg.
 Low Insertion Force = 3oz (0,83N) avg.
RoHS Compliant:
 Yes
Lead-Free Solderable:
 Wave only

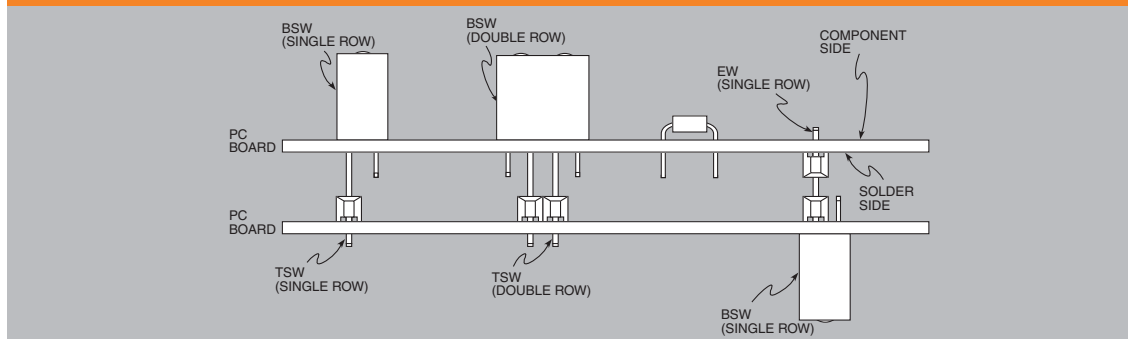


BSW	1	NO. PINS PER ROW	LEAD STYLE	PLATING OPTION	ROW OPTION	OTHER OPTION
			-04 = Standard Lead	-L = 10μ" (0,25μm) Gold contact, Matte Tin on tail		-S = Standoffs for single and double rows only.
			-24 = Low Insertion Force	-G = 20μ" (0,51μm) Gold contact, Gold Flash on tail		
				-T = Matte Tin (N/A with Low Insertion Force)		



- S = Single Row
- M = Single Row More Plug Space
- E = Single Row Extended Plug Space
- D = Double Row

APPLICATIONS



Note: Other Gold plating options available. Contact Samtec.

Note: Some lengths, styles and options are non-standard, non-returnable.

Due to technical progress, all designs, specifications and components are subject to change without notice.

WWW.SAMTEC.COM