



# SMT Power Inductors – DT3316 Series



These magnetically shielded inductors are designed for a wide variety of applications, including board mounted DC-DC converters, miniature power supplies and voltage multiplying circuits. They function equally well in filter and smoothing circuit applications.

The Coilcraft DT Series represents the ultimate in cost-effective miniature power inductors. They are constructed of materials specially developed for surface mount applications to ensure the best possible reliability and ease of use and handling.

For free evaluation samples or to order, contact Coilcraft or visit [www.coilcraft.com](http://www.coilcraft.com).

**SPICE models** ON OUR WEB SITE OR CD

Specifications				Operating Parameters			
Part number <sup>1</sup>	Inductance $\pm 20\%$ <sup>2</sup> ( $\mu\text{H}$ )	DCR max (Ohms)	SRF typ (MHz)	Inductance rating <sup>3</sup> ( $\mu\text{H}$ )	Current rating <sup>4</sup> (A)	Energy storage max ( $\mu\text{Joules}$ )	Switching frequency max
DT3316P-102	1.0	0.025	60	0.50	5.0	9	1 MHz
DT3316P-152	1.5	0.030	55	0.70	5.0	12	1 MHz
DT3316P-222	2.2	0.035	55	1.0	5.0	15	1 MHz
DT3316P-332	3.3	0.040	50	1.5	5.0	16	1 MHz
DT3316P-472	4.7	0.045	45	2.0	3.0	10	1 MHz
DT3316P-682	6.8	0.050	40	4.0	2.5	14	1 MHz
DT3316P-103	10	0.055	35	5.0	2.0	11	1 MHz
DT3316P-153	15	0.060	25	6.0	1.8	12	1 MHz
DT3316P-223	22	0.084	22	10	1.5	11	1 MHz
DT3316P-333	33	0.090	18	12	1.3	13	1 MHz
DT3316P-473	47	0.11	16	27	1.0	13	1 MHz
DT3316P-683	68	0.15	12	40	0.90	17	1 MHz
DT3316P-104	100	0.29	9	50	0.80	15	1 MHz
DT3316P-154	150	0.36	8	80	0.60	15	500 kHz
DT3316P-224	220	0.39	6	90	0.50	10	500 kHz
DT3316P-334	330	0.73	5	150	0.40	13	500 kHz
DT3316P-474	470	0.88	4	200	0.35	13	500 kHz
DT3316P-684	680	1.15	3	300	0.30	13	500 kHz
DT3316P-105	1000	1.45	2.5	420	0.25	13	500 kHz

1. Part number on reel label may have a B suffix to indicate that the reel is not machine ready.
  2. Inductance tested at 0.1 Vrms, 100 kHz, 0 Adc.
  3. Measured at the rated current. Refer to L vs Current curves for more detail.
  4. Average maximum allowable current. DT Series inductors are designed for current spikes as high as 2 x the current rating.
  5. Operating temperature range  $-40^{\circ}\text{C}$  to  $+85^{\circ}\text{C}$ .
  6. Electrical specifications at  $25^{\circ}\text{C}$ .
- See Qualification Standards section for environmental and test data.  
See Color Coding section for part marking information.

**Coilcraft**<sup>®</sup>

Specifications subject to change without notice.  
Please check our website for latest information.

Document 180-1 Revised 11/11/04

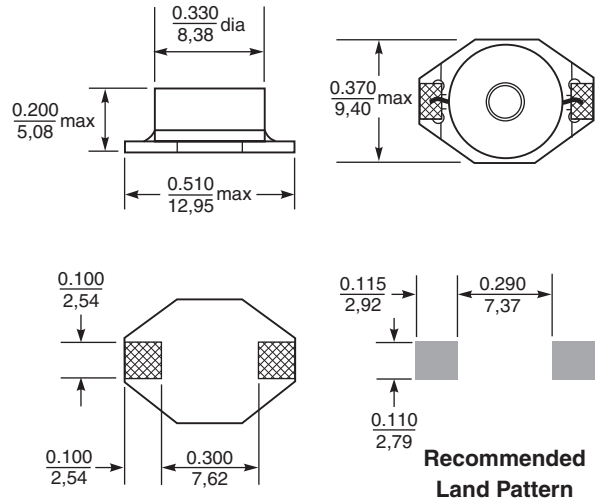
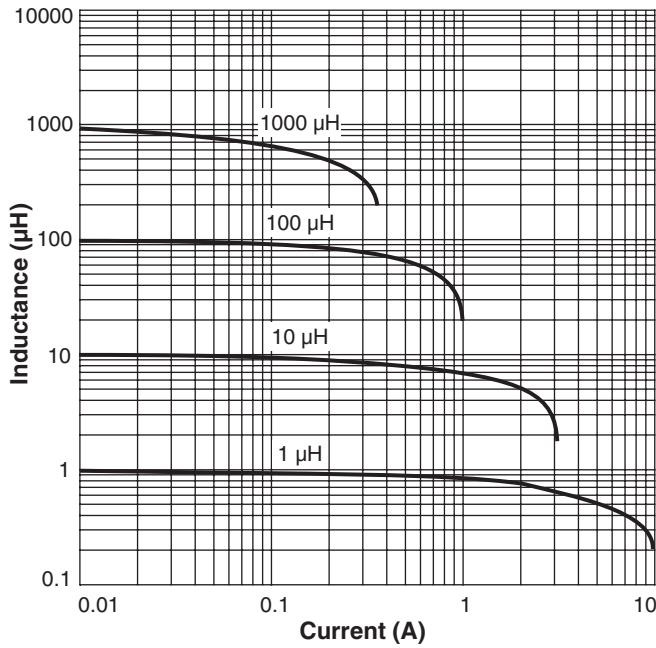
1102 Silver Lake Road Cary, Illinois 60013 Phone 847/639-6400 Fax 847/639-1469

E-mail [info@coilcraft.com](mailto:info@coilcraft.com) Web <http://www.coilcraft.com>

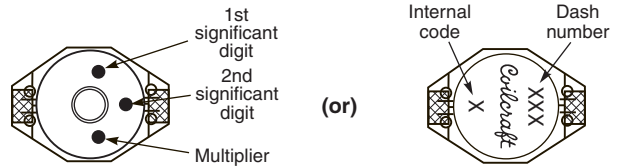


# SMT Power Inductors – DT3316 Series

## Typical L vs Current



### Part Marking



**Weight:** 0.86 – 1.06 g  
**Terminations:** Nickel/gold over phos bronze  
**Tape and reel:** 1000/13" reel 24 mm tape width  
 For packaging data see Tape and Reel Specifications section.



Specifications subject to change without notice.  
 Please check our website for latest information. Document 180-2 Revised 12/10/04

1102 Silver Lake Road Cary, Illinois 60013 Phone 847/639-6400 Fax 847/639-1469  
 E-mail info@coilcraft.com Web http://www.coilcraft.com