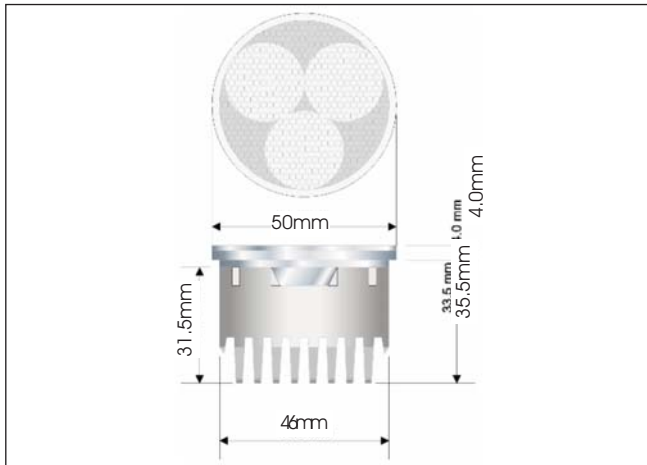




## HL16 LED LIGHT ENGINE



### Features & Benefits:

- ▷ Easy plug and play wiring options
- ▷ Long operating life typically 50,000 hours
- ▷ Optimised thermal management
- ▷ Onboard driver option
- ▷ Selectable beam angles
- ▷ Full range of light output colours
- ▷ Low heat
- ▷ No UV

### HL16 with Wide Lens



### Application:

Dialight's HL16 modules feature 3 high flux LEDs complete with heatsink. Comparable to a traditional MR16 size, the HL16 modules can also be easily retrofitted into existing MR16 housings. The HL16 works well in exterior architecture, landscape, accent and display case applications

### Mechanical Information

**Container Dimensions:** Diameter = 50.0mm (1.97")  
Height = 36.0mm (1.42"), 37.5mm (1.48") with sub lens attached  
Lead length = 150mm (5.91)

**Container Weight:** 94g

**Mounting:** MR16 type housings (supplied by others)

### Electrical specifications

**Power Consumption:** 3.6 watts

**Operating Temperature:** -10°C to +40°C

**Drive Current:** 350mA

**Housing:** Die cast heatsink

**Lens:** Acrylic lens

### Photometric Information

**CCT:** 6,500K (cool white)  
3,200K (neutral white)

**Initial Lumen Output:** Cool White - 300lm  
Warm White - 180lm

All values typical unless otherwise stated



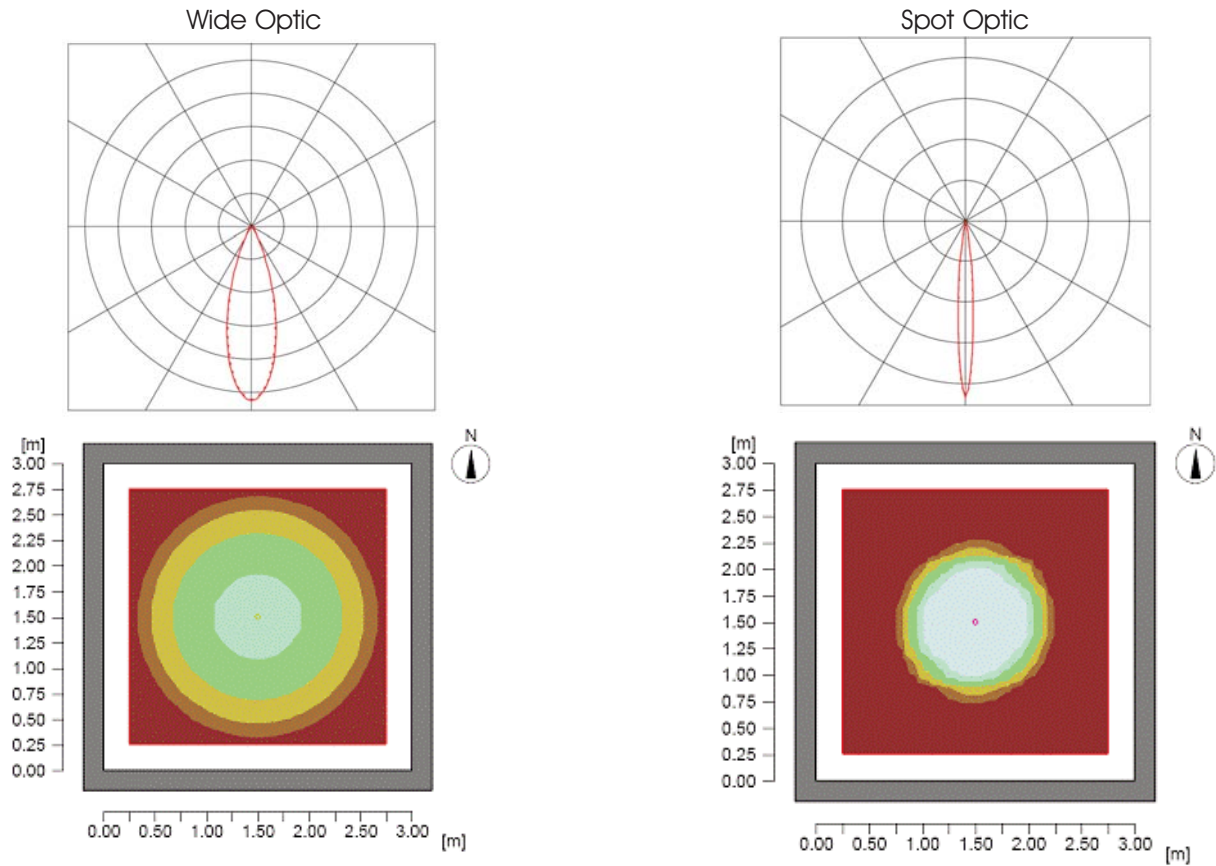
### Order Codes:

| Part Number | Description                  |
|-------------|------------------------------|
| HL16-W      | LED light engine, cool white |
| HL16-WW     | LED light engine, warm white |

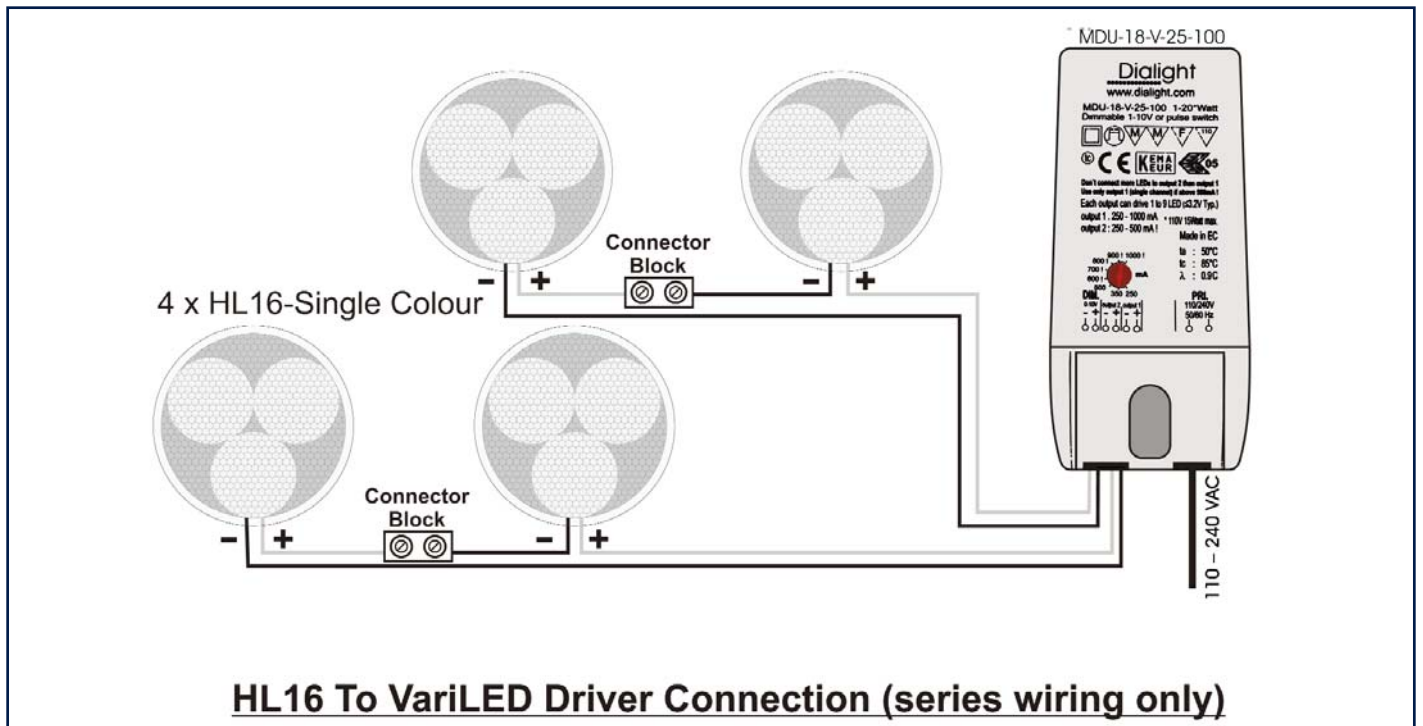
### Compatible Drivers:

| Part Number     | Maximum number of HL16s | Supply Voltage | Dimming              | Dimensions         |
|-----------------|-------------------------|----------------|----------------------|--------------------|
| MDU93570        | 3                       | 110-240VAC     | X                    | 100 x 40 x 25 mm   |
| MLD8-C-35170    | 2                       | 230VAC         | X                    | 111 x 52 x 23.5 mm |
| MDU-18-V-25-100 | 4                       | 230VAC         | Via 0-10V dimmer     | 110 x 49 x 25 mm   |
| MND70           | 3                       | 110 - 240VAC   | Trailing edge dimmer | 99 x 39 x 23.5mm   |

## Operating Characteristics



## Typical Wiring Examples



**HL16 To VariLED Driver Connection (series wiring only)**

Dialight reserves the right to make changes at any time in order to supply the best product possible.  
 The most current version of this document will always be available at:  
[www.dialight.com/Assets/Brochures\\_And\\_Catalogs/Illumination/MDEXLUMHL16.pdf](http://www.dialight.com/Assets/Brochures_And_Catalogs/Illumination/MDEXLUMHL16.pdf)

MDEXLUMHL16\_D