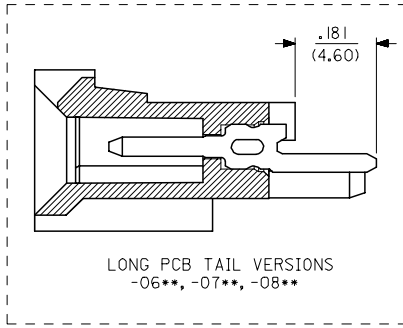
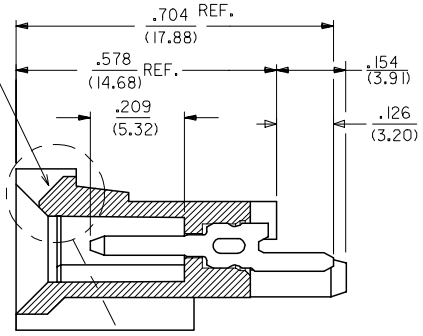
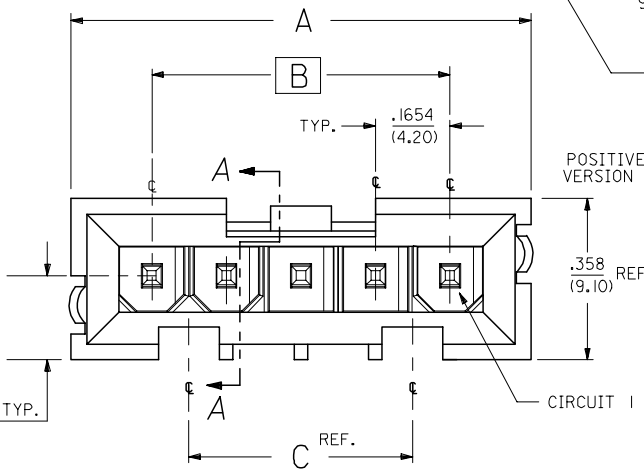
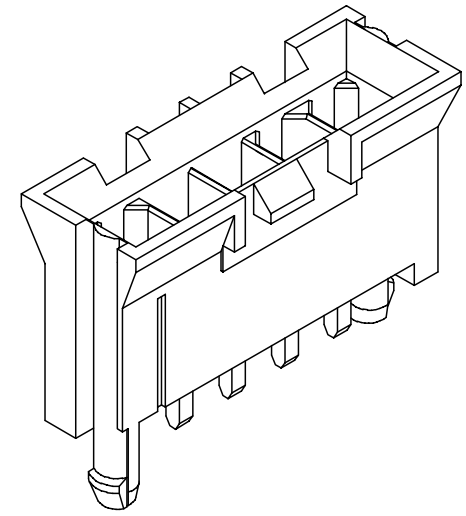


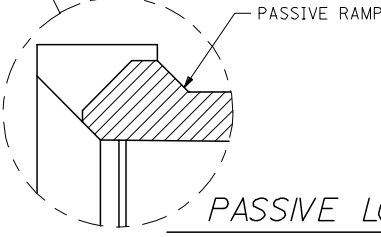
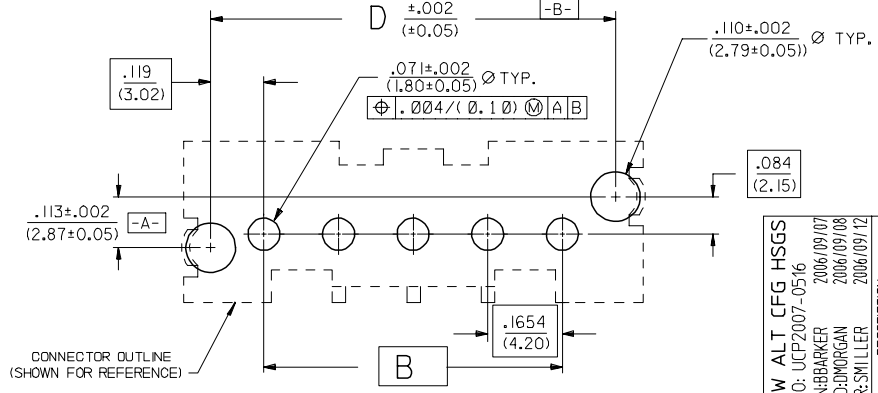
**NOTES:**

1. ASSEMBLY NO. 71233-0007 SHOWN FOR ILLUSTRATION.
2. MATES WITH PART NO. 71694-\*\*\*\*, AND 5557-\*\*.
3. SEE FOLLOWING PAGES FOR PART NOS. & CONFIGURATIONS.
4. FINISHES (SEE CHART):  
 TIN OVERALL - .000150/(0.0038) MINIMUM TIN OVERALL, NICKEL UNDERPLATE OVERALL.  
 30 GOLD - .000030/(0.00076) MINIMUM SELECT GOLD AND .000100/(0.00254) MINIMUM SELECT TIN OVER NICKEL UNDERPLATE OVERALL.  
 15 GOLD - .000015/(0.00038) MINIMUM SELECT GOLD AND .000150/(0.00381) MINIMUM SELECT TIN OVER NICKEL UNDERPLATE OVERALL.
5. ITEM NO'S PRECEDED BY AN \*X\* IN THE CHARTS ARE NOT AVAILABLE.
6. HOUSING MATERIAL: HIGH TEMP. 94V-0 GLASS FILLED POLYESTER MATERIAL COLOR: WHITE
7. PIN MATERIAL: BRASS.
8. PART CONFORMS TO SPECIFICATION NO. PS-71690-001.
9. PACKAGING SPECIFICATIONS:  
 FOR TRAY, SEE PK-71232-0000  
 FOR TUBE, SEE PK-71233-0000



**VERTICAL TAIL HOLE PATTERN**

CONNECTOR SIDE SHOWN

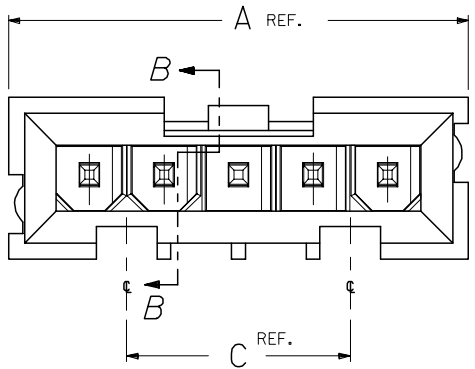


NOTE FOR LEAD FREE CONVERSION:

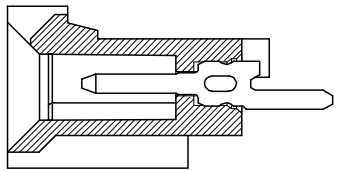
THE PRIMARY SHIPPING CARTON WILL BE LABELED \*COMPLIANT TO ROHS DIRECTIVE 2002/95/EC AND ELV ANNEX II OF DIRECTIVE 2000/53/EC\*. CARTONS WITHOUT THIS LABEL MAY CONTAIN PRODUCT WITH LEAD.

4	L
3	L
2	M
1	M

SHOW ALT CFG HSGS EC NO: UCP2007-0516 2006/09/07 DRW:NBARKER CHKD:DMORGAN APPR:SMILLER 2006/09/08 2006/09/12	QUALITY SYMBOLS	GENERAL TOLERANCES (UNLESS SPECIFIED)	DIMENSION STYLE	SCALE	DESIGN UNITS	THIRD ANGLE PROJECTION	
	▽=0 ▽=0	mm INCH 4 PLACES ± --- ± --- 3 PLACES ± --- ± .010 2 PLACES ± 0.38 ± .015 1 PLACE ± 0.25 ± --- ANGULAR ±1/2°	IN/MM DRAWN BY DATE RWB 7/19/93 CHECKED BY DATE PAR 7/19/93 APPROVED BY DATE FAH 7/19/93	5:1	INCH	☉ THIRD ANGLE PROJECTION	
	DRAFT WHERE APPLICABLE MUST REMAIN WITHIN DIMENSIONS	SEE TABLES	MATERIAL NO. SDA-71231-****	DOCUMENT NO. SDA-71231-****	SHEET NO. 1 OF 4	SINGLE ROW MINI-FIT HEADER, VERTICAL, THRU-HOLE SALES DWG MOLEX MOLEX INCORPORATED	
	THIS DRAWING CONTAINS INFORMATION THAT IS PROPRIETARY TO MOLEX INCORPORATED AND SHOULD NOT BE USED WITHOUT WRITTEN PERMISSION						



SEE SHEET 1 FOR ALL OTHER INFORMATION



SECTION B-B

NO PEG OPTION

VERTICAL CONFIGURATIONS

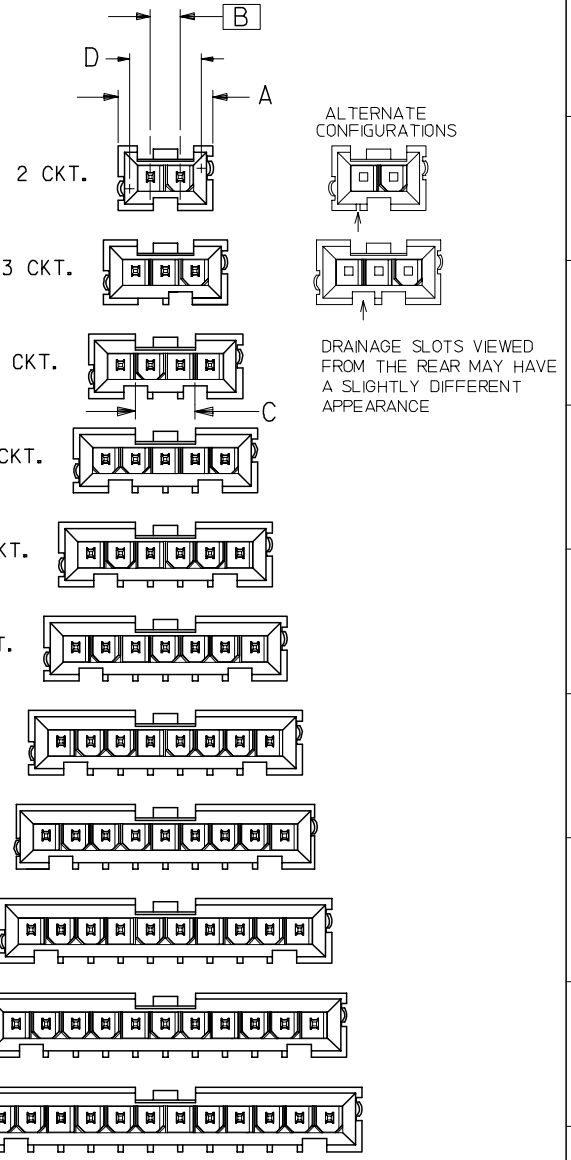
OVERALL DIMENSIONS

ASSEMBLIES WITH PEGS

SIZE	DIM. "A"		DIM. "B" BASIC		DIM. "C" REF.		DIM. "D"	
	INCH	(MM)	INCH	(MM)	INCH	(MM)	INCH	(MM)
2	0.524	(13.31)	0.1654	(4.200)	N/A	N/A	.403	(10.24)
3	0.689	(17.51)	0.3307	(8.400)	N/A	N/A	.569	(14.44)
4	0.855	(21.71)	0.4961	(12.600)	0.330	(8.40)	.734	(18.64)
5	1.020	(25.91)	0.6614	(16.800)	0.496	(12.60)	.899	(22.84)
6	1.185	(30.11)	0.8268	(21.000)	0.661	(16.80)	1.064	(27.04)
7	1.351	(34.31)	0.9921	(25.200)	0.826	(21.00)	1.230	(31.24)
8	1.516	(38.51)	1.1575	(29.400)	0.992	(25.20)	1.395	(35.44)
9	1.682	(42.71)	1.3228	(33.600)	1.157	(29.40)	1.561	(39.64)
10	1.847	(46.91)	1.4882	(37.800)	1.322	(33.60)	1.726	(43.84)
11	2.012	(51.11)	1.6535	(42.000)	1.488	(37.80)	1.891	(48.04)
12	2.177	(55.31)	1.8189	(46.200)	1.653	(42.00)	2.057	(52.24)

ASSEMBLIES WITHOUT PEGS

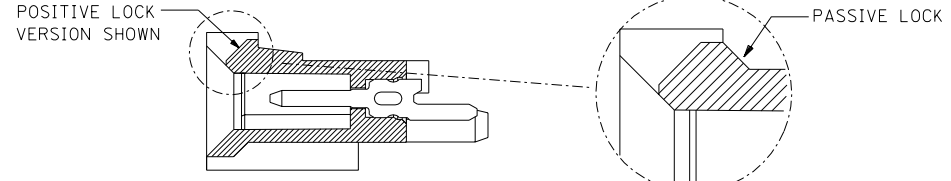
SIZE	DIM. "A"		DIM. "B" BASIC		DIM. "C" REF.	
	INCH	(MM)	INCH	(MM)	INCH	(MM)
2	0.524	(13.31)	0.1654	(4.200)	N/A	N/A
3	0.689	(17.51)	0.3307	(8.400)	N/A	N/A
4	0.855	(21.71)	0.4961	(12.600)	0.330	(8.40)
5	1.020	(25.91)	0.6614	(16.800)	0.496	(12.60)
6	1.185	(30.11)	0.8268	(21.000)	0.661	(16.80)
7	1.351	(34.31)	0.9921	(25.200)	0.826	(21.00)
8	1.516	(38.51)	1.1575	(29.400)	0.992	(25.20)
9	1.682	(42.71)	1.3228	(33.600)	1.157	(29.40)
10	1.847	(46.91)	1.4882	(37.800)	1.322	(33.60)
11	2.012	(51.11)	1.6535	(42.000)	1.488	(37.80)
12	2.177	(55.31)	1.8189	(46.200)	1.653	(42.00)



ADD ALT CONFIGS EC NO: UCP2007-0516 DRAWN: BARKER 2006/09/07 CHKD: BORGAN 2006/09/08 APPR: MILLER 2006/09/12 M	QUALITY SYMBOLS ▽=0 ▽=0	GENERAL TOLERANCES (UNLESS SPECIFIED) mm INCH 4 PLACES ± --- ± --- 3 PLACES ± --- ± .010 2 PLACES ± 0.38 ± .015 1 PLACE ± 0.25 ± --- ANGULAR ±1/2°	DIMENSION STYLE IN/MM DRAWN BY: RWB DATE: 7/19/93 CHECKED BY: PAR DATE: 7/19/93 APPROVED BY: FAH DATE: 7/19/93	SCALE: 5:1 DESIGN UNITS: INCH THIRD ANGLE PROJECTION
		SEE TABLES DRAFT WHERE APPLICABLE MUST REMAIN WITHIN DIMENSIONS	MATERIAL NO.: SDA-71231-*** DOCUMENT NO.: SHEET NO.: 2 OF 4	
		THIS DRAWING CONTAINS INFORMATION THAT IS PROPRIETARY TO MOLEX INCORPORATED AND SHOULD NOT BE USED WITHOUT WRITTEN PERMISSION		
		MOLEX MOLEX INCORPORATED		

13 12 11 10 9 8 7 6 5 4 3 2 1

CKT SIZE	ASSEMBLY NUMBER	TAIL VERSION	PEGS	LOCK	PACKAGING PER	PLATING SEE NOTE 4	CKT SIZE	ASSEMBLY NUMBER	TAIL VERSION	PEGS	LOCK	PACKAGING PER	PLATING SEE NOTE 4	
2	71231-0001	STD..125	YES	POSITIVE	PK-71232-0000	TIN OVERALL	2	71231-0002	STD..125	YES	PASSIVE	PK-71232-0000	TIN OVERALL	
3	71231-0003	STD..125	YES	POSITIVE	PK-71232-0000		3	71231-0004	STD..125	YES	PASSIVE	PK-71232-0000		PK-71232-0000
4	71231-0005	STD..125	YES	POSITIVE	PK-71232-0000		4	71231-0006	STD..125	YES	PASSIVE	PK-71232-0000		PK-71232-0000
5	71231-0007	STD..125	YES	POSITIVE	PK-71232-0000		5	71231-0008	STD..125	YES	PASSIVE	PK-71232-0000		PK-71232-0000
6	71231-0009	STD..125	YES	POSITIVE	PK-71232-0000		6	71231-0010	STD..125	YES	PASSIVE	PK-71232-0000		PK-71232-0000
7	71231-0011	STD..125	YES	POSITIVE	PK-71232-0000		7	71231-0012	STD..125	YES	PASSIVE	PK-71232-0000		PK-71232-0000
8	71231-0013	STD..125	YES	POSITIVE	PK-71232-0000		8	71231-0014	STD..125	YES	PASSIVE	PK-71232-0000		PK-71232-0000
9	71231-0015	STD..125	YES	POSITIVE	PK-71232-0000		9	71231-0016	STD..125	YES	PASSIVE	PK-71232-0000		PK-71232-0000
10	71231-0017	STD..125	YES	POSITIVE	PK-71232-0000		10	71231-0018	STD..125	YES	PASSIVE	PK-71232-0000		PK-71232-0000
11	71231-0019	STD..125	YES	POSITIVE	PK-71232-0000		11	71231-0020	STD..125	YES	PASSIVE	PK-71232-0000		PK-71232-0000
12	71231-0021	STD..125	YES	POSITIVE	PK-71232-0000		12	71231-0022	STD..125	YES	PASSIVE	PK-71232-0000		PK-71232-0000
2	71231-0101	STD..125	YES	POSITIVE	PK-71232-0000		30 GOLD	2	71231-0102	STD..125	YES	PASSIVE		PK-71232-0000
3	71231-0103	STD..125	YES	POSITIVE	PK-71232-0000	3		71231-0104	STD..125	YES	PASSIVE	PK-71232-0000	PK-71232-0000	
4	71231-0105	STD..125	YES	POSITIVE	PK-71232-0000	4		71231-0106	STD..125	YES	PASSIVE	PK-71232-0000	PK-71232-0000	
5	71231-0107	STD..125	YES	POSITIVE	PK-71232-0000	5		71231-0108	STD..125	YES	PASSIVE	PK-71232-0000	PK-71232-0000	
6	71231-0109	STD..125	YES	POSITIVE	PK-71232-0000	6		71231-0110	STD..125	YES	PASSIVE	PK-71232-0000	PK-71232-0000	
7	71231-0111	STD..125	YES	POSITIVE	PK-71232-0000	7		71231-0112	STD..125	YES	PASSIVE	PK-71232-0000	PK-71232-0000	
8	71231-0113	STD..125	YES	POSITIVE	PK-71232-0000	8		71231-0114	STD..125	YES	PASSIVE	PK-71232-0000	PK-71232-0000	
9	71231-0115	STD..125	YES	POSITIVE	PK-71232-0000	9		71231-0116	STD..125	YES	PASSIVE	PK-71232-0000	PK-71232-0000	
10	71231-0117	STD..125	YES	POSITIVE	PK-71232-0000	10		71231-0118	STD..125	YES	PASSIVE	PK-71232-0000	PK-71232-0000	
11	71231-0119	STD..125	YES	POSITIVE	PK-71232-0000	11		71231-0120	STD..125	YES	PASSIVE	PK-71232-0000	PK-71232-0000	
12	71231-0121	STD..125	YES	POSITIVE	PK-71232-0000	12		71231-0122	STD..125	YES	PASSIVE	PK-71232-0000	PK-71232-0000	
2	71231-0201	STD..125	NO	POSITIVE	PK-71232-0000	TIN OVERALL		2	71231-0202	STD..125	NO	PASSIVE	PK-71232-0000	TIN OVERALL
3	71231-0203	STD..125	NO	POSITIVE	PK-71232-0000		3	71231-0204	STD..125	NO	PASSIVE	PK-71232-0000	PK-71232-0000	
4	71231-0205	STD..125	NO	POSITIVE	PK-71232-0000		4	71231-0206	STD..125	NO	PASSIVE	PK-71232-0000	PK-71232-0000	
5	71231-0207	STD..125	NO	POSITIVE	PK-71232-0000		5	71231-0208	STD..125	NO	PASSIVE	PK-71232-0000	PK-71232-0000	
6	71231-0209	STD..125	NO	POSITIVE	PK-71232-0000		6	71231-0210	STD..125	NO	PASSIVE	PK-71232-0000	PK-71232-0000	
7	71231-0211	STD..125	NO	POSITIVE	PK-71232-0000		7	71231-0212	STD..125	NO	PASSIVE	PK-71232-0000	PK-71232-0000	
8	71231-0213	STD..125	NO	POSITIVE	PK-71232-0000		8	71231-0214	STD..125	NO	PASSIVE	PK-71232-0000	PK-71232-0000	
9	71231-0215	STD..125	NO	POSITIVE	PK-71232-0000		9	71231-0216	STD..125	NO	PASSIVE	PK-71232-0000	PK-71232-0000	
10	71231-0217	STD..125	NO	POSITIVE	PK-71232-0000		10	71231-0218	STD..125	NO	PASSIVE	PK-71232-0000	PK-71232-0000	
11	71231-0219	STD..125	NO	POSITIVE	PK-71232-0000		11	71231-0220	STD..125	NO	PASSIVE	PK-71232-0000	PK-71232-0000	
12	71231-0221	STD..125	NO	POSITIVE	PK-71232-0000		12	71231-0222	STD..125	NO	PASSIVE	PK-71232-0000	PK-71232-0000	
2	71231-0301	STD..125	NO	POSITIVE	PK-71232-0000		30 GOLD	2	71231-0302	STD..125	NO	PASSIVE	PK-71232-0000	
3	71231-0303	STD..125	NO	POSITIVE	PK-71232-0000	3		71231-0304	STD..125	NO	PASSIVE	PK-71232-0000	PK-71232-0000	
4	71231-0305	STD..125	NO	POSITIVE	PK-71232-0000	4		71231-0306	STD..125	NO	PASSIVE	PK-71232-0000	PK-71232-0000	
5	71231-0307	STD..125	NO	POSITIVE	PK-71232-0000	5		71231-0308	STD..125	NO	PASSIVE	PK-71232-0000	PK-71232-0000	
6	71231-0309	STD..125	NO	POSITIVE	PK-71232-0000	6		71231-0310	STD..125	NO	PASSIVE	PK-71232-0000	PK-71232-0000	
7	71231-0311	STD..125	NO	POSITIVE	PK-71232-0000	7		71231-0312	STD..125	NO	PASSIVE	PK-71232-0000	PK-71232-0000	
8	71231-0313	STD..125	NO	POSITIVE	PK-71232-0000	8		71231-0314	STD..125	NO	PASSIVE	PK-71232-0000	PK-71232-0000	
9	71231-0315	STD..125	NO	POSITIVE	PK-71232-0000	9		71231-0316	STD..125	NO	PASSIVE	PK-71232-0000	PK-71232-0000	
10	71231-0317	STD..125	NO	POSITIVE	PK-71232-0000	10		71231-0318	STD..125	NO	PASSIVE	PK-71232-0000	PK-71232-0000	
11	71231-0319	STD..125	NO	POSITIVE	PK-71232-0000	11		71231-0320	STD..125	NO	PASSIVE	PK-71232-0000	PK-71232-0000	
12	71231-0321	STD..125	NO	POSITIVE	PK-71232-0000	12		71231-0322	STD..125	NO	PASSIVE	PK-71232-0000	PK-71232-0000	



L	SEE SHEET I	C	SEE SHEET I	DIMENSIONS SHOWN (METRIC) INCH UNLESS OTHERWISE SPECIFIED TOLERANCES: ANGULAR ± 1/2° 3 PLACE ± --- --- 2 PLACE ± --- ± --- 1 PLACE --- ± --- DRAFT WHERE APPLICABLE MUST REMAIN WITHIN DIMENSIONS DRWG. BY: RWB CHK'D. BY: PAR APP'D. BY: FAH SCALE:	REVISIONS LTR. REVISIONS	REVISE ONLY ON CAD SYSTEM TITLE: SINGLE ROW MINI-FIT HEADER VERTICAL THRU-HOLE BLIND MATE SALES ASSEMBLY FROM: MOLEX INCORPORATED SHEET NO. DATE LISLE, ILL. 60532 U.S.A. 3 08/02/93 PART NO. DRWG. NO. SEE CHART SDA-71231-***** FILE NAME: 571231P3 DIV. SIZE MOLEX INC. AND SHOULD NOT BE USED WITHOUT WRITTEN PERMISSION TC C
H	SEE SHEET I	F	SEE SHEET I			
G	SEE SHEET I	E	SEE SHEET I			
F	SEE SHEET I	D	SEE SHEET I			
K	SEE SHEET I	A	SEE SHEET I			

13 12 11 10 9 8 7 6 5 4 3 2 1