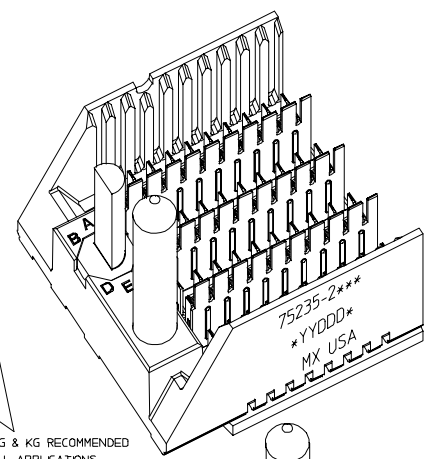
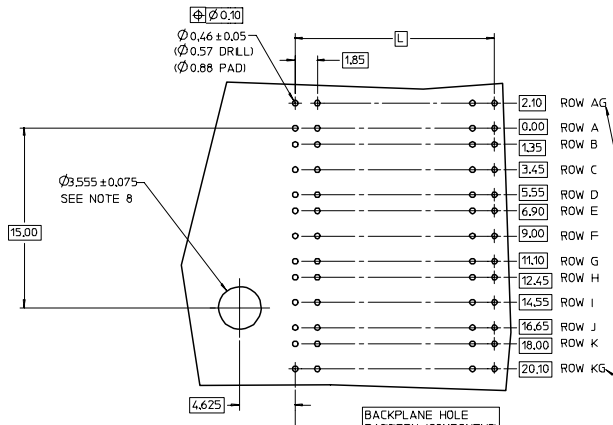
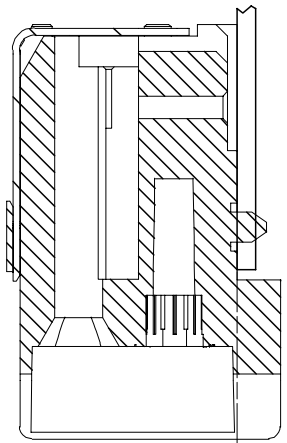
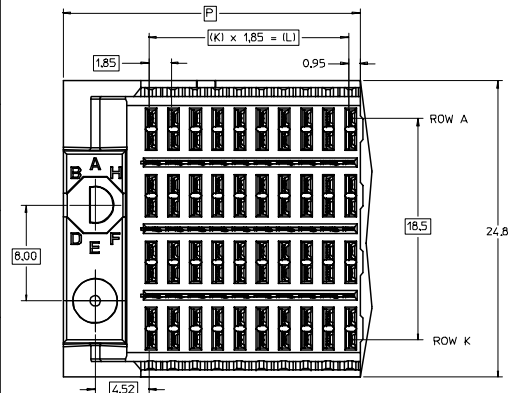


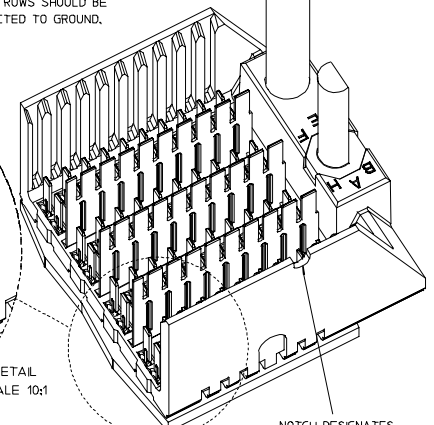
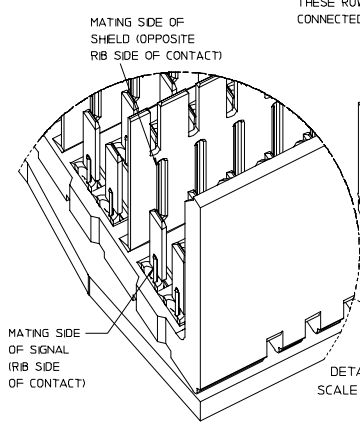
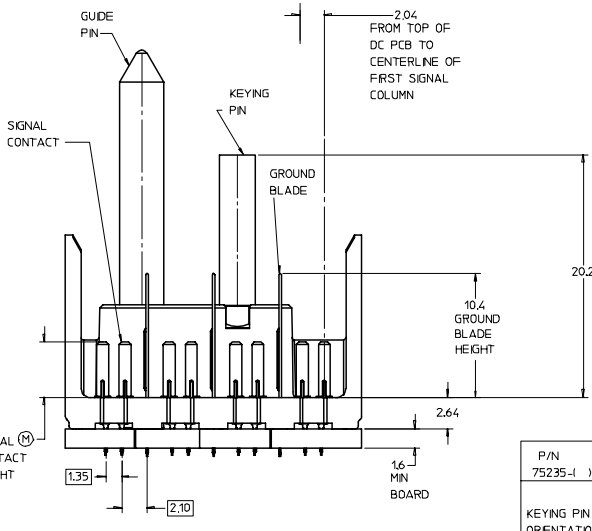
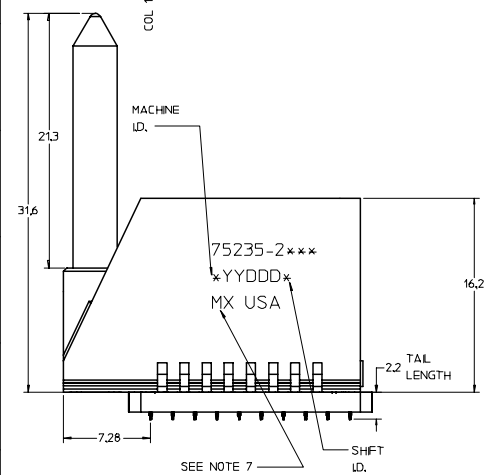
20 19 18 17 16 15 14 13 12 11 75235 9 8 7 6 5 4 3 2 1

L
K
J
I
H
G
F
E
D
C
B
A

L
K
J
I
H
G
F
E
D
C
B
A



ROW AG & KG RECOMMENDED FOR ALL APPLICATIONS. THESE ROWS SHOULD BE CONNECTED TO GROUND.

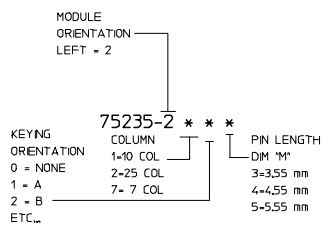


DETAIL SCALE 10:1

NOTCH DESIGNATES POSITION A1, ARCH AND NOTCH ON OPPOSITE SIDE OF PART MARKING.

PART NUMBER TABLE				
ASSY PART NO.	K	L	P	TOTAL NO. OF DIFFERENTIAL PAIRS
75235-21**	9	16.65	24.78	40
75235-22**	24	44.40	52.53	100
75235-27**	6	11.10	19.23	28

- NOTES:
- MATERIAL: HOUSING - LIQUID CRYSTAL POLYMER (LCP) GLASS-FILLED, UL 94V-0, COLOR - BLACK. SIGNAL CONTACT AND GROUND BLADE - HIGH PERFORMANCE COPPER ALLOY.
 - FINISHES: SELECTIVE GOLD (Au) ON CONTACT AREA, SELECTIVE TIN/LEAD (Sn/Pb) ON PCB TAILS, NICKEL (Ni) OVERALL.
 - THIS PART CONFORMS TO MOLEX PRODUCT SPECIFICATION PS-75221-999.
 - FOR MIXED CONTACT MATING LENGTHS CONSULT MOLEX FOR AVAILABILITY. CONTACT PAIRS MUST BE THE SAME LENGTH.
 - FOR SPECIFIC PART NUMBER AND MATING INFORMATION PLEASE REFER TO CHART.
 - PACKAGE PER PK-70873-563.
 - EITHER MARK PART NUMBER AND DATE CODE APPROXIMATELY WHERE SHOWN OR PLACE A LABEL ON THE TUBE.
 - OPTIONAL HOLE LOCATION FOR GROUNDED GUIDE PIN OR ADDITIONAL GUIDE PIN SUPPORT. SEE DRAWING 75234-100 FOR DETAIL & LOCATION.



P/N 75235-()	-**0*	-**1*	-**2*	-**3*	-**4*	-**5*	-**6*	-**7*	-**8*
KEYING PIN ORIENTATION									

REVISED EC NO: UCP2006-0268 DRWN: BINGHAM 2005/08/12 CHKD: SREED 2005/08/12 APPR: CBXLER 2005/08/15	QUALITY SYMBOLS 0 1	GENERAL TOLERANCES (UNLESS SPECIFIED) 4 PLACES ±--- ±--- 3 PLACES ±--- ±--- 2 PLACES ±--- ±--- 1 PLACE ±--- ±--- ANGULAR ±---°	SCALE 5:1	DESIGN UNITS METRIC	THIRD ANGLE PROJECTION	REVISE ON CAD ONLY
			DIMENSION STYLE MM ONLY	TITLE GBX 4-PAIR LEFT END BACKPLANE SALES ASSEMBLY		
REVISION DESCRIPTION	DRAFT WHERE APPLICABLE MUST REMAIN WITHIN DIMENSIONS	APPROVED BY CBXLER 2003/10/22	DRAWN BY NMARTIN 2003/10/22	CHECKED BY SREED 2003/10/22	MATERIAL NO. SEE CHART	DOCUMENT NO. SD-75235-210
			THIS DRAWING CONTAINS INFORMATION THAT IS PROPRIETARY TO MOLEX INCORPORATED AND SHOULD NOT BE USED WITHOUT WRITTEN PERMISSION			
			MOLEX MOLEX INCORPORATED		SHEET NO. 1 OF 1	

19 18 17 16 15 14 13 12 11 10 9 8 7 6 5 4 3 2 1