

**PLEASE CHECK WWW.MOLEX.COM FOR LATEST PART INFORMATION**

**Part Number:** [0352841617](#)  
**Status:** **Active**  
**Description:** 2.28mm (.090") Tab Wire-to-Wire Uniconn Housing, Female, 16 Circuits

**Documents:**

[3D Model](#) [Product Specification PS-35282-001 \(PDF\)](#)  
[Drawing \(PDF\)](#) [RoHS Certificate of Compliance \(PDF\)](#)

**General**

Product Family Crimp Housings  
 Series [35284](#)  
 Product Name Uniconn

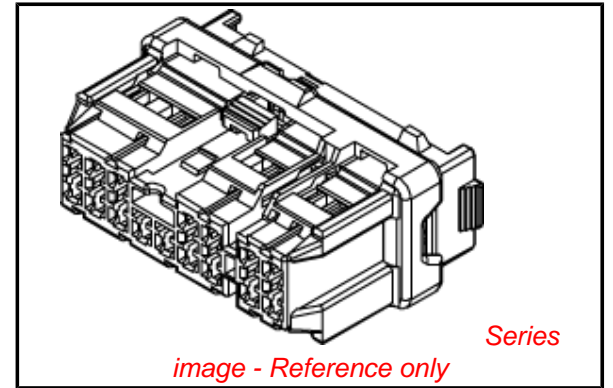
**Physical**

Circuits (maximum) 16  
 Color - Resin Black, Brown  
 Gender Female  
 Glow-Wire Compliant No  
 Material - Resin Polyester  
 Number of Rows 2  
 Packaging Type Bag  
 Panel Mount No  
 Pitch - Mating Interface (in) 0.150 In  
 Pitch - Mating Interface (mm) 3.80 mm  
 Temperature Range - Operating -40°C to +80°C

**Material Info**

**Reference - Drawing Numbers**

Product Specification PS-35282-001  
 Sales Drawing SD-35284-161\*



**EU RoHS**

**ELV and RoHS Compliant**  
**REACH SVHC**  
 Not Reviewed  
**Halogen-Free Status**

**China RoHS**



**Halogen-Free**

**Need more information on product environmental compliance?**

Email [productcompliance@molex.com](mailto:productcompliance@molex.com)  
 For a multiple part number RoHS Certificate of Compliance, [click here](#)

Please visit the [Contact Us](#) section for any non-product compliance questions.

**Search Parts in this Series**

[35284Series](#)

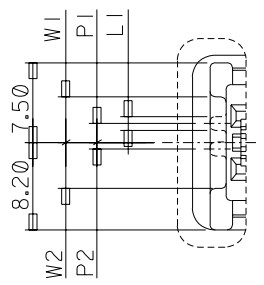
**Mates With**

[35282](#)

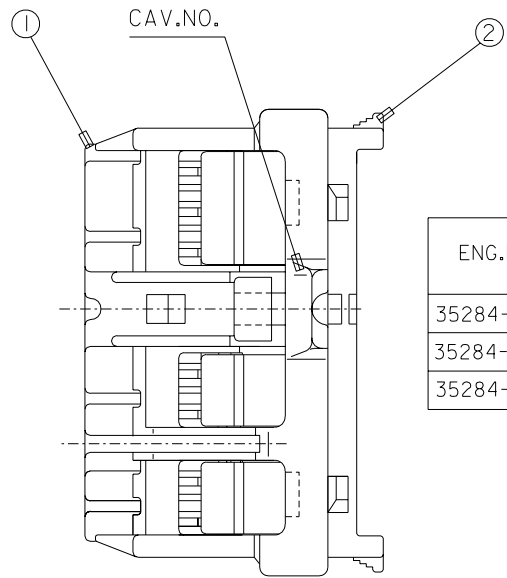
**Use With**

[35420](#) , [35421](#)

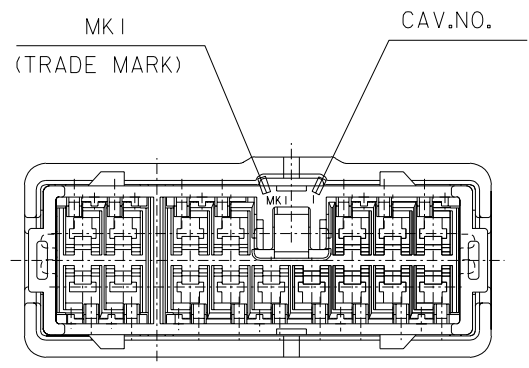
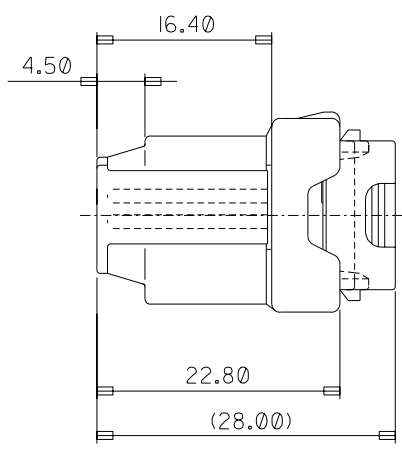
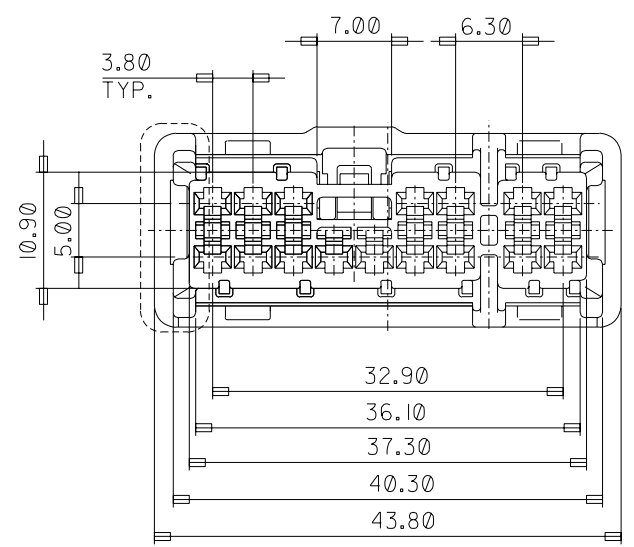
PROJECT NO. SD-35284-1610  
 SIMILAR ITEM  
 DO NOT SCALE DRAWING DIMENSION IN METRIC



POLARIZED GUIDE RIBS



| ENG.NO.    | DIMENSIONS  |      |      |      |      | COLOR   |
|------------|-------------|------|------|------|------|---------|
|            | L1          | P1   | P2   | W1   | W2   |         |
| 35284-1690 | // (NO RIB) |      |      | 4.20 | 2.70 | NATURAL |
| 35284-1695 | 1.30        | 1.80 | //   | 4.30 | 4.30 | GRAY    |
| 35284-1697 | 1.30        | //   | 0.60 | 4.30 | 4.30 | BROWN   |



|   | PART NO.   | PART NAME                   | MATERIAL   |
|---|------------|-----------------------------|------------|
| ① | 35284-169* | UNICCONN FEMALE HOUSING-16P | PBT        |
| ② | 35285-1681 | UNICCONN FEMALE TPA-16P     | PBT, BLACK |

|   |                                      |  |   |  |   |                  |           |  |
|---|--------------------------------------|--|---|--|---|------------------|-----------|--|
| REVISED<br>EC NO. KOR2003-0057<br>DRWN: S.M.KIM 03/09/20<br>CHK: B.C.YOON 03/09/20<br>APPR: G.M.LEE | QUALITY SYMBOLS<br>MAJOR<br>CRITICAL | GENERAL TOLERANCES:<br>(UNLESS SPECIFIED)                        | SCALE<br>1:1  | DESIGN UNITS<br><input checked="" type="checkbox"/> mm <input type="checkbox"/> INCH | DIMENSIONS:<br><input type="checkbox"/> mm <input checked="" type="checkbox"/> INCH<br><input type="checkbox"/> mm ONLY | SHT              | REV       |  |
|   |                                      | 4 PLACES ±0.1<br>3 PLACES ±0.1<br>2 PLACES ±0.1<br>1 PLACE ±0.30 | DRAGON BY & DATE<br>W.Y. YANG, 97/11/17<br>CHECKED BY & DATE<br>B.K. CHOI, 97/11/17<br>APPROVED BY & DATE<br>C.W. LEE, 97/11/17 | TITLE:<br>UNICCONN FEMALE ASS'Y-16P<br>MOLEX INCORPORATED                            |   |                  |           |  |
| B   | REV                                  | ANGULAR: ±1.0°   | CAD FILENAME<br>SD2841610.DGN   | MATERIAL NO.<br>SEE TABLE  | DRAWING NO.<br>SD 35284-1610  | SHEET NO.<br>1/1 | SIZE<br>C |  |
|   |                                      | DRAFT WHERE APPLICABLE MUST REMAIN WITHIN DIMENSIONS             | THIS DRAWING CONTAINS INFORMATION THAT IS PROPRIETARY TO MOLEX INCORPORATED AND SHOULD NOT BE USED WITHOUT WRITTEN PERMISSION.  |  |   |                  | MX-A2     |  |