

Freescale Semiconductor, Inc.

DEMO9S08RG60

Demonstration Board for Motorola MC9S08RG60

Freescale Semiconductor, Inc.

Axiom Manufacturing • 2813 Industrial Lane • Garland, TX 75041

Email: Sales@axman.com Web: <http://www.axman.com>

**For More Information On This Product,
Go to: www.freescale.com**

CONTENTS

Cautionary Notes3

Terminology3

FEATURES.....4

GETTING STARTED.....5

REFERENCE DOCUMENTATION5

DEMO9S08RG60 STARTUP.....6

What Do the Demo Programs Do?.....6

Executing the Demo Programs.....7

Selecting the Demo Programs.....7

Table 1: Demo Program Selection.....7

DEBUG MONITOR OPERATION.....8

MEMORY MAP.....8

Table 2: Monitor Memory Map.....8

DEMO9S08RG60 Board Operation9

POWER SUPPLY9

PWR_SEL Jumper9

Table 3: PWR_SEL Jumper Settings10

PWR – Terminal Block10

MCU Connector.....10

RESET SWITCH.....10

CRYSTAL OSCILLATOR10

COMMUNICATIONS11

Table 4: SCII Connections.....11

SCII Connector11

Figure 1: SCII Connector.....11

USER OPTIONS12

LED Indicators12

Pushbutton Switches12

Table 5: User Option Jumper Settings12

APPENDIX A.....13

DEMO9S08RG60 I/O PORT CONNECTORS.....13

DEBUG PORT.....13

MCU I/O Port Connector.....13

APPENDIX B.....14

MECHANICAL DETAILS14

APPENDIX C.....15

DEMO9S08RG60 BILL OF MATERIALS15

Freescale Semiconductor, Inc.

Cautionary Notes

- 1) Electrostatic Discharge (ESD) prevention measures should be used when handling this product. ESD damage is not a warranty repair item.
- 2) Axiom Manufacturing does not assume any liability arising out of the application or use of any product or circuit described herein; neither does it convey any license under patent rights or the rights of others.
- 3) EMC Information on the DEMO9S08RG60 board:
 - a) This product as shipped from the factory with associated power supplies and cables, has been verified to meet with requirements of CE and the FCC as a **CLASS B** product.
 - b) This product is designed and intended for use as a development platform for hardware or software in an educational or professional laboratory.
 - c) In a domestic environment, this product may cause radio interference in which case the user may be required to take adequate prevention measures.
 - d) Attaching additional wiring to this product or modifying the products operation from the factory default as shipped may effect its performance and cause interference with other apparatus in the immediate vicinity. If such interference is detected, suitable mitigating measures should be taken.

Terminology

This development board uses option selection jumpers. A jumper is a plastic shunt that connects 2 terminals electrically. Terminology for application of the option jumpers is as follows:

Jumper on, in, or installed - jumper is installed such that 2 pins are connected together.

Jumper off, out, or idle - jumper is installed on 1 pin only. It is recommended that jumpers be idled by installing on 1 pin so they will not be lost.

Cut-Trace – a circuit trace connection between component pads. The circuit trace may be cut using a knife to break the default connection. To reconnect the circuit, simply install a suitably sized 0-ohm resistor or attach a wire across the pads.

FEATURES

The DEMO9S08RG60 is an evaluation or demonstration board for the MC9S08RG60 microcontroller. Development of applications is quick and easy with the included wall plug, DB9 serial cable, sample software tools, examples, and debug monitor. The DEBUG port is provided for development tool application and is compatible with HCS08BDM interface cables and software. A 40-pin connector allows connecting the DEMO9S08RG60 module to an expanded evaluation environment.

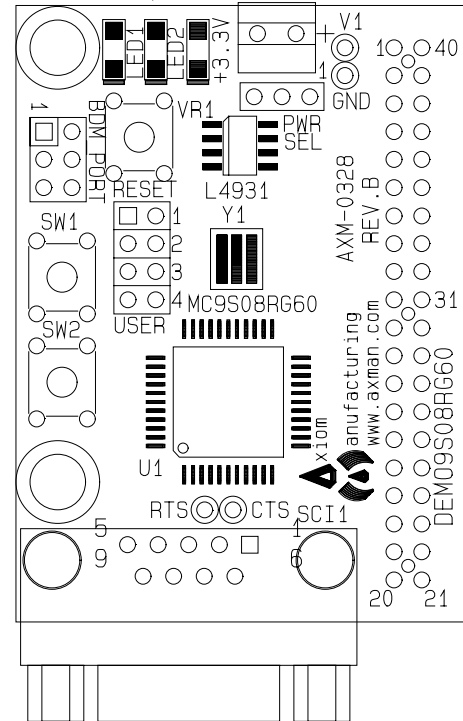
Features:

- ◆ MC9S08RG60 CPU
 - * 60K Byte Flash
 - * 2K Bytes Ram
 - * 40 I/O lines (44-pin package)
 - * Timer/PWM
 - * SCI and SPI Communications Ports
 - * 12 Key Board Wake-up Ports
 - * BDM DEBUG Port
 - * Analog Comparator
 - * 8Mhz Internal Bus Operation
 - * 8 High Current Pins
- ◆ Power Input Selection Jumper
- ◆ 16 MHz Crystal Oscillator
- ◆ Regulated +3.3V power supply
- ◆ RS-232 Serial Port w/ DB9 Connector
- ◆ 2 Channel, 16 bit, Timer/Pulse Width Modulator (TPM) with Input Capture, Output Compare, and PWM capability
- ◆ On-Chip Analog Comparator with internal reference and full rail-to-rail operation
- ◆ User Components Provided
 - * 2 Push Switches (PTA0, PTA1)
 - * 2 LED Indicators (PTA7, PTD3)
- ◆ 40 pin MCU I/O Port connector provides access to most MCU I/O signals
- ◆ Supplied with DB9 Serial Cable, Documentation (CD), Manual, and Wall plug type power supply.

Specifications:

Board Size 2.2" x 1.6"

Power Input: +5 to +16VDC, 9VDC typical



GETTING STARTED

The DEMO9S08RG60 single board computer is a fully assembled, fully functional development board for the Motorola MC9S08RG60 microcontroller. The module is provided with a serial cable for stand-alone operation. Support software for this development board is provided for Windows 95/98/NT/2000/XP operating systems.

Development board users should also be familiar with the hardware and software operation of the target HCS08. Refer to the MC9S08RG60 User Manual and Reference Manual for details. The demonstration board's purpose is to promote the features of the MC9S08RG60 and to assist the user in quickly developing an application with a known working environment. Users should be familiar with memory mapping, memory types, and embedded software design for quick, successful, application development.

Application development may be performed by using the embedded serial interface monitor, or a compatible HCS08 BDM cable with supporting host software. The included serial monitor provides an effective and low cost debug method. Note that when a BDM cable is used for debugging, the BDM pod should be powered from an external supply.

A serial debug monitor is provided in the MC9S08RG60 internal flash memory and uses some HCS08 resources for operation. See application note, AN2140, from Motorola for complete details. User application may be executed by loading the program start address into the Reset Vector (0xFBFE, 0xFBFF) and loading the program into device Flash Memory. The monitor remains in protected flash memory for future use if needed.

Reference Documentation

Reference documents are provided on the support CD in Acrobat Reader format.

DEMO9S08RG60_SCH_A.pdf	DEMO9S08RG60 Module Schematic Rev A
DEMOS08RG60_MAN.pdf	DEMO9S08RG60 Board User manual (this document)
MC9S08RG60/D.pdf	MC9S08RG60 Device User Guide
GetStartDEMO9S08RG60.pdf	DEMO9S08RG60 Quick Start
AN-2140	HCS08 Serial Monitor Application Note
AN-2493	HCS08 Low-Power Modes Application Note
AN-2596	Using the HCS08 On-Chip Debug System Application Note
AN-2616	Getting Started with HCS08 and CodeWarrior Application Note
AN2616SW.zip	CodeWarrior software zip file.
MON_PLUS_DEMO_RG60.s19	Object Code for installed demo programs

DEMO9S08RG60 STARTUP

To start the DEMO programs, install the PWR_SEL jumper across pins 2-3 then apply power to the module through the on-board terminal block or the MCU_PORT connector.

There are three examples programmed into the DEMO9S08RG60 board. The programs are:

- 1) **Debug monitor**
- 2) **Stop3 demo**
- 3) **Paced-loop demo**

The **Debug Monitor** is the most important program loaded into the MCU residing on the Demo board. In conjunction with software running on a host personal computer (PC), the debug monitor enables users to program FLASH and debug their programs. This Demo requires CodeWarrior to be installed on the development PC.

The other demo programs offer examples of some simple uses of the Demo board.

The **Stop3 Demo** illustrates the low-power capability of the MC9S08RG60 microcontroller operating in stop3 mode.

The **Paced-Loop Demo** demonstrates a framework that users can implement in their system to periodically execute user routines.

What Do the Demo Programs Do?

The **Stop3 demo** program executes by default at power up if no pushbuttons are held down. This program demonstrates operation of the microcontroller in low power, stop3, mode. The program uses the real time interrupt (RTI) to recover from stop3 mode.

In stop3 mode, clocks are halted and only IRQ, KBI, LVI, and RTI interrupts can occur. For this reason when using the serial debugger, you can not trace through the demo code once you have reached a stop instruction.

If you are using the serial debugger, you press the go button in the debugger program, and test 1 is entered (No user switches pressed) you will no longer be able to halt or trace the demo code. This is because there are no clocks to the serial communications module.

With the Stop3 Demo running, LED1 will flash approximately twice a second. While the LED is off, the MCU is in low-power, stop3 mode, and will remain in stop3 mode until the next RTI. RTI is generated periodically by an MCU timer. During Stop3 Demo execution, press and hold SW1 for at least 0.5sec. LED1 will turn-on for approximately 3 seconds. Pressing SW2 for at least 0.5sec will cause LED2 to turn-on.

The **Software-paced loop demo** program executes when SW2 is held down at power-up. The software-paced loop program blinks LED1 and LED2. LED1 will blink on and off every second. LED2 will blink on and off every two seconds. Both LEDs blink at a 50% duty cycle.

The **Debug Monitor** program is executed when SW1 is held down at power-up. The serial debugger, when used with a host PC and CodeWarrior software, enables a user to erase device FLASH memory, program FLASH memory, load application programs, and debug the application programs. The debug monitor dedicates SC11 as its connection to the host PC and does not use the traditional background debug mode, thus eliminating the necessity for a background debug mode cable. Free software is available for execution on a PC as an interface to the monitor. Refer to application note AN2140 for a full explanation for using the debugger.

Executing the Demo Programs

Before you can run the demo programs, configuration jumpers must be installed on the Demo board. To run the Demo programs install all 4 User Interface jumpers (User-1 through User-4). Install the PWR_SEL jumper as shown above to select the applied voltage source.

If neither push-button switch is depressed during RESET or at power-on, the Stop3 Demo executes automatically. As noted above, this demo highlights the low-power feature of the MC9S08RG60 MCU.

To execute the Paced Loop Demo, press and hold SW2 then press and release the RESET switch.

To use the monitor program, connect a straight through DB-9 serial cable between the COM port on the PC and the SC11 connector on the Demo board. CodeWarrior software must be installed on the host PC to support the serial monitor.

Selecting the Demo Programs

Pushbutton switches are used to select between installed demo programs. The switches are read at the rising edge of RESET. Hold down the chosen pushbutton while applying power or while pressing the RESET switch. The actions of the switches are shown in the table below.

Table 1: Demo Program Selection

Switch (SWx)	Demo Program Executed
No Switch held down	Stop3 Demo
SW2	Paced-Loop Demo
SW1	Debug Monitor

NOTES:

- 1) When power is applied to the Demo board, if none of the switches is held down, the low-power, stop3, demo program executes by default.

- 2) When power is applied to the Demo board and SW2 is held down, the paced-loop demo program executes.
- 3) When power is applied to the Demo board and SW1 is held down, the serial Debug Monitor program will execute. CodeWarrior must be running on the host PC to use the monitor program. Connect a straight through DB-9 serial cable between COM port on the PC and SCI1 on the Demo board to allow communications.

DEBUG MONITOR OPERATION

MEMORY MAP

Table 2: Monitor Memory Map

0x0000 - 0x0045	Direct Page Register Space. See the 9S08RG60 User Manual for details
0x0046 - 0x0845	RAM memory space Initial Monitor Stack Pointer = 0x107F
0x 0846 - 0x17FF	Lower flash block – User application memory
0x1800 - 0x182B	9S08RG60 High Page Register block
0x182C - 0xFBCB	User Application Flash Memory
0xFBCC - 0xFBFF	User Interrupt Vectors See AN2140 for details on application
0xFC00 - 0xFFFF	Monitor Flash Memory Space (Protected)

See the AN2140 application note on the monitor for complete details of operation. Basic operation is provided in this manual. The monitor occupies 1K bytes of flash memory and about to 50 bytes of stack space. It provides a binary command set via the SCI1 port.

COMMUNICATION:

The MCU supports a maximum 38.4K bps serial communication rate on the SCI1 interface port.

POWER ON or RESET PROMPT:

The monitor provides a binary prompt to the Demo board serial SCI1 port.

COMMANDS:

No user commands can be applied via the keyboard with software such as HyperTerminal or AxIDE. The monitor commands are binary and not compatible with keyboard (ASCII) entry or display. Host based software should interface with the monitor on the serial communication port to provide development support.

INTERRUPT SERVICE SUPPORT:

The monitor enables automatic hardware vector relocation in the MC9S08RG60 so user interrupt vectors appear from 0xFBCC to 0xFBFF. Users do not have access to the SCI1, SWI, and RESET vectors while the monitor is operating. Programming the user Reset vector (0XFBFE:0xFBFF) will cause the monitor to execute the user program on Reset. See the AN2140 application note for user interrupt application.

DEMO9S08RG60 Board Operation

The DEMO9S08RG60 board provides input and output features to assist in application development. Access to MCU ports is available through module the MCU_PORT connector. The MCU_PORT connector may be used to interface power to the module as well as RS-232 communications signals. Care must be exercised when using the MCU_PORT to power the module, as only regulated +3.3V should be applied to this connection.

Five option jumpers and 3 cut-traces setup module operation. Enabling an associated option requires installing a jumper, or shunt, across the appropriate header pins. Removing the shunt will disable the associated option. An option that is enabled by a cut-trace can be disabled by removing the circuit trace between the cut-trace component pads. Install a suitably sized 0-ohm resistor or piece of wire to re-enable the option.

POWER SUPPLY

Input power may be applied by external connection to a 2 position terminal block and 3.3V regulator or directly from connector J1. The input supply is selected by the PWR_SEL option.

PWR_SEL Jumper

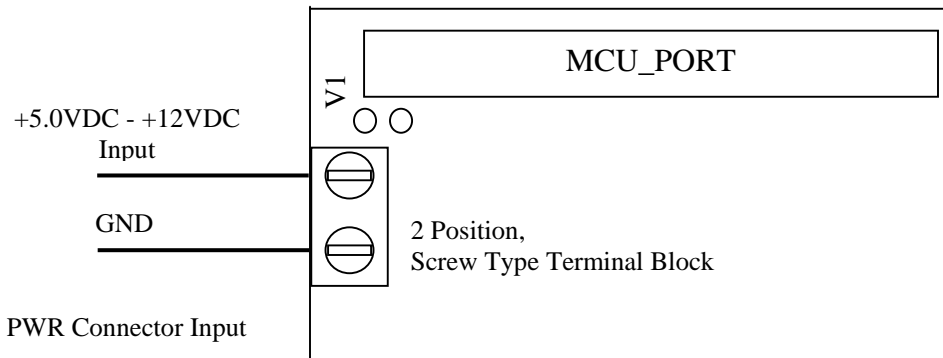
The PWR_SEL jumper selects the source of power input to the DEMO9S08RG60 module. The module may be powered from connections to a 2 position, screw type, terminal block or from 40-pin MCU connector. Power input to the terminal block must be DC voltage between +5V and +12V. Power input on the MCU connector **must be** regulated voltage between +3.0VDC and +3.3VDC. Use of the MCU_PORT connector input allows use of batteries to power the module. Damage may occur if the MCU_PORT power input pins are over-driven. Refer to the table below to determine correct PWR_SEL jumper setting.

Table 3: PWR_SEL Jumper Settings

Connector Pin	Power Option Selected
1-2	Regulated +3.0VDC to +3.3VDC from MCU Connector
2-3	On-board regulator connected to input power

PWR – Terminal Block

The PWR terminal block allows external voltage to be applied to the module. Input voltage should be limited to between +5VDC and +12VDC. Input voltage of +9VDC is typical. The terminal block is a screw type connector that will accept a maximum 16 AWG wire.



MCU Connector

Power may be applied to the board through the MCU_PORT connector pins J1-1 and J1-2. Use of this option requires a regulated voltage input limited to +3.3VDC (+/- 5%). Care should be exercised not to over-drive this input.

Reset Switch

The RESET switch provides a method to apply an asynchronous reset to the module. Pressing the RESET switch applies a low voltage level to the PTD1/RESET* input. A resistor tied to the high voltage rail will prevent spurious RESET input to the MCU.

Crystal Oscillator

Crystal oscillator, Y1, provides a 16.0 MHz base operating frequency to the MCU. This provides an 8.0 MHz internal operating frequency. The HCS08 uses dedicated oscillator inputs. This crystal input is not routed to the MCU Port connector

Freescale Semiconductor, Inc.

Communications

The DEMO9S08RG60 module provides a single SCI communications port. This port is connected to the MCU_PORT and to the SCI1 connector. An RS-232 translator (U2) has been provided between the SCI1 connector and the MCU. Communication signals applied to the MCU-PORT connector must be directly compatible with the HCS08 device; no translation support is provided through this path. As added development support, handshake signals RTS and CTS are available at the output of U2. These signals are routed to vias located behind the SCI1 connector. RTS has been biased properly to support 2-wire RS-232 communications.

Use of the MCU_PORT interface for RS-232 services requires disabling the on-board RS-232 translator. This is accomplished by opening cut-traces CT1, CT2, and CT3. Simply remove the circuit trace between cut-trace pads to open the circuit. To restore the circuit, install a suitably sized 0-ohm resistor or a short piece of wire across the cut-trace pads. See Cut-Trace Setting above for details.

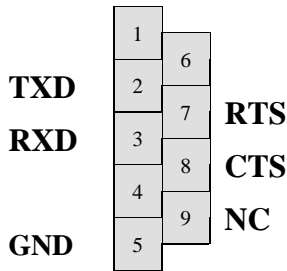
Table 4: SCI1 Connections

HCS08Port	COM Signal	I/O PORT Connector	Signal Disable
	RS-232 Disable		CT3
PTB0/TXD1	SCI1 TXD OUT	3	CT1
PTB1/RXD1	SCI1 RXD IN	4	CT2

SCI1 Connector

A standard 9-pin Dsub connector provides external connections for the SCI1 port. The SCI1 port is used by default with the serial debug monitor. Component U2 provides RS-232 translation services. The figure below details the DB9 connector.

Figure 1: SCI1 Connector



Female DB9 connector that interfaces to the HCS08 internal SCI1 serial port via the U2 RS232 transceiver. It provides simple 2 wire asynchronous serial communications without flow control. Flow control is provided at test points on the module.

Pins 1, 4, and 6 are connected together.

User Options

LED Indicators

Indicators LED1 and LED2 are enabled from HCS08 I/O ports by the USER option bank. The LED indicators will light with a logic low signal driven from the respective MCU I/O port if the option jumper is installed. MCU ports PTA7 and PTD3 drive LED1 and LED2 respectively. The table below details the user jumper settings.

Pushbutton Switches

Two push button switches provide momentary active low input for user applications. Switches SW1 and SW2 are enabled to the HCS08 I/O ports by the USER option bank. SW1 and SW2 provide input to HCS08 I/O ports PTA0 and PTA1 respectively. These switches are also used for DEMO program selection during RESET or POR (provided the DEMO program is installed in flash at start-up). The table below details the user jumper settings.

Table 5: User Option Jumper Settings

Jumper	On	Off	MCU PORT
User 1	Enable SW1	Disable Sw1	PTA0 (33)
User 2	Enable SW2	Disable Sw2	PTA1 (34)
User 3	Enable LED1	Disable LED1	PTA7 (44)
User 4	Enable LED2	Disable LED2	PTD3 (27)

APPENDIX A

DEMO9S08RG60 I/O PORT CONNECTORS

DEBUG PORT

The Debug or BDM port is a 6-pin header compatible with a Motorola Background Debug Mode (BDM) Pod. This allows the connection of a background debugger for software development, programming, and debugging in real-time without using HCS08I/O resources.

BGND/PTG0	1	2	GND	See the HCS08Reference Manual for complete documentation of the BDM.
N/C	3	4	/RESET	
N/C	5	6	+3.3V	

MCU I/O Port Connector

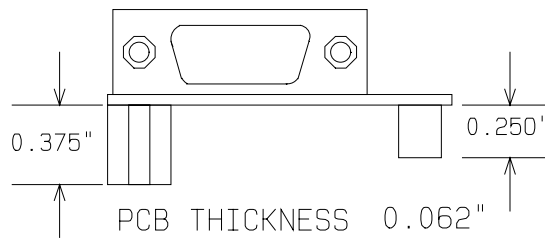
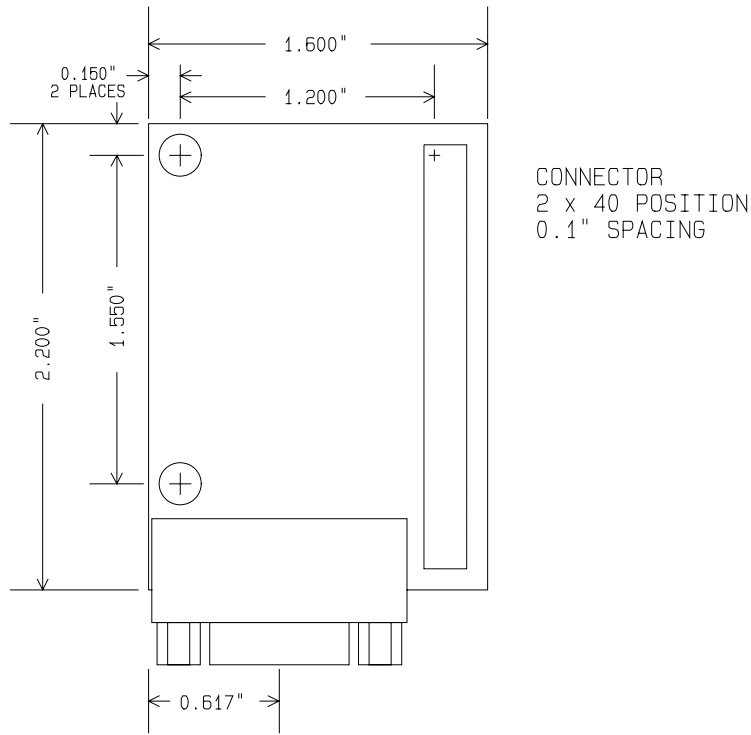
This port connector provides access to DEMO9S08RG60 I/O ports except as noted.

+3.3V	1	40	PTD2/IRQ
GND	2	39	PTD1/RESET*
PTB0/TXD	3	38	PTD0/BKGD/MS
PTB1/RXD	4	37	PTB2
PTC0/KBI2P0	5	36	PTB3
PTC1/KBI2P1	6	35	PTB4
PTD6/TPMCH0	7	34	PTB5
PTB7/TPMCH1	8	33	PTB6
PTC4/MOSI	9	32	PTD4/ACMP-
PTC5/MISO	10	31	PTD5/ACMP+
PTC6/SPSCK	11	30	PTA0/KBI1P0
PTC7/SS*	12	29	PTA1/KBI1P1
PTE0	13	28	PTA2/KBI1P2
PTE1	14	27	PTA3/KBI1P3
PTE2	15	26	PTC2/KBI2P2
PTE3	16	25	PTC3/KBI2P3
PTE4	17	24	PTA4/KBI1P4
PTE5	18	23	PTA5/KBI1P5
PTE6	19	22	PTAA6/KBI1P6
PTE7	20	21	I/O

Note:
User interface switches and LED signals are not routed to the MCU_PORT.

APPENDIX B

Mechanical Details



Freescale Semiconductor, Inc.

APPENDIX C

DEMO9S08RG60 BILL OF MATERIALS

Item	Qty	Unit	Title	Reference(m)	Mfr Name	Mfr P/N
1	3	each	Cap, Elec, 10uF, 10V, Tant, SMA	C2, C9, C12	Kemet	T491A106K010
2	5	each	Cap, Mon, .1uF, 50V, 0805	C1, C5, C8, C10, C11	Meritek	MA080525U104M500
3	4	each	Cap, Mon, 1uF, 16V, 0805	C3, C4, C6, C7		
4	3	each	Res, Carbon, 330 ohm, 1/16W, 5%, 0805	R4, R5, R7		
5	1	each	Res, Carbon, 4.7K ohm, 5%, 0805	R2		
6	2	each	Res, Carbon, 10K ohm, 5%, 0805	R3, R6		
7	1	each	Res, Carbon, 1M ohm, 5%, 1/16w, 0805	R1		
8	1	each	Resonator, Cer, 16.00MHz, w/Caps, 3Pos, SMT	Y1	Panasonic	EFO-BM1605E5
9	1	each	Diode, Schottky, 30V, 200mA, BAT54C, Com. Cathode, SOT23	D1	General Sem.	
10	3	each	LED, Green, w/reflector, 1206, SMT	LED1, LED2, +3.3V	Rohm	SML-010MTT86
11	1	each	IC, Dual RS232 XCVR, 3.3V, 16SOIC	U2	Intersil	ICL3232ECBN
12	1	each	IC, MCU, MC9S08RG60, 44LQFP	U1	Motorola	MC9S08G60
13	1	each	VReg, LDO, 3.3V, 250mA, 8 SOIC	VR1	STMicroelectronics	L4931CD33
14	3	each	Sw, PB, 5mm Sq, Thru	SW1, SW2, RESET	E-Switch	EG1827
15	5	each	Hdw, Shunt, 2 Pos, .1"	PWR_SEL, USER-1, USER-2, USER-3, USER-4	Generic	
16	2	each	Hdw, Hex Standoff, 4-40 Thd, .375", Al		Keystone	2202
17	2	each	Hdw, Screw, 4-40, 1/4", Pan Head, SS, Captive Washer			
19	1	each	Conn, 2x20 Socket Hdr, Pass Thru, .1", Bottom Entry, SMT	J1	Samtec	SSM-120-L-DV-K-BE-A
20	1	each	Conn, Term Blk, 2Pos, 3.55mm, thru	PWR	On Shore Technology	ED555/2DS
21	1	each	Conn, Dsub, 9P, F, RA, PCB Mount	SCI1		
22	1	each	Conn, 1x3 Pin Header, .1" Ctr, Thru	PWR_SEL		
23	1	each	Conn, 2x3 Pin Header, .1" Ctr, Thru	BDM_PORT		
24	1	each	Conn, 2x4 Pin Header, .1" Ctr, Thru	USER		
25	1	each	PCB, MC9S08RG60DEMO Module			

**For More Information On This Product,
Go to: www.freescale.com**