

SPECIFICATIONS

Mechanical

Mating Force: 3.50Kg (7.71Lb) max.
Unmating Force: 1.00Kg (2.20Lb) min.
Durability: 1500 Cycles

Electrical

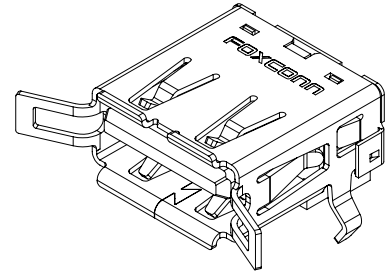
Current Rating: 1.5A
Contact Resistance: 30mΩ max.
Dielectric Withstanding Voltage: 750V AC/1min min.
Insulation Resistance: 1000MΩ min.

Physical

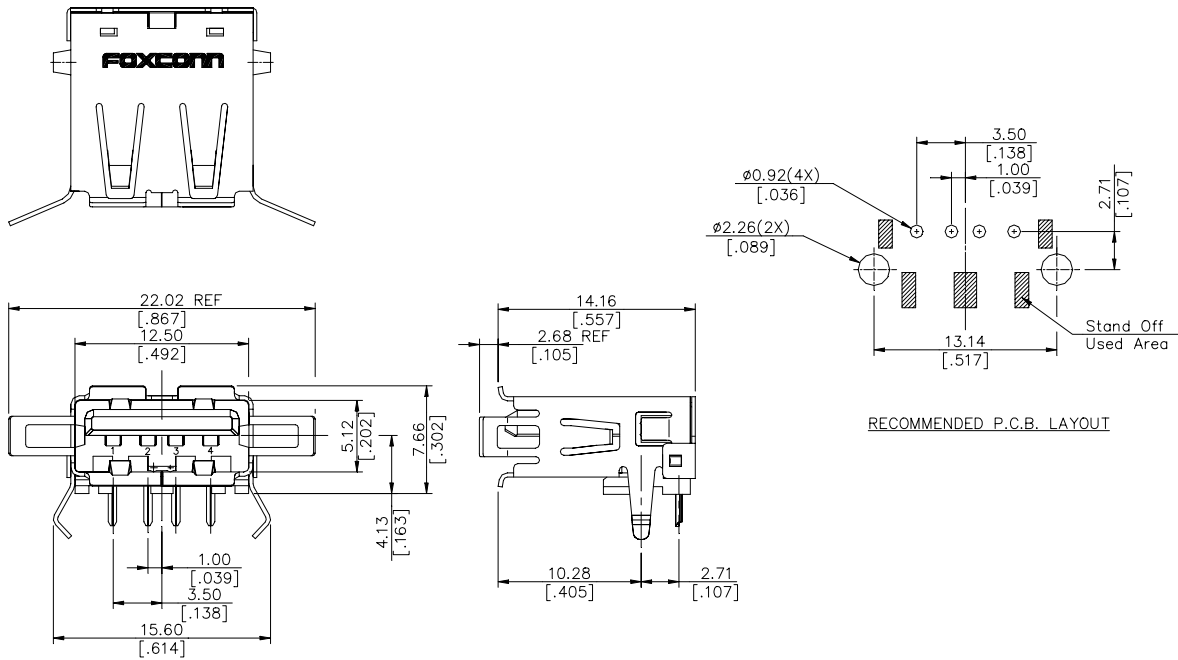
Housing: Thermoplastic, UL 94V-0 rated
Contact and Shell: Copper alloy
Plating: See "ORDERING INFORMATION"
Operating Temperature: -55°C to +85°C

USB Connector

UB Series
Right Angle, T/H Type
4 Pos.



DRAWING



ORDERING INFORMATION

PRODUCT NO.: UB 1 1 1 2 * - 4K0

USB Series	1	1	1	2	*	-	4K0
USB A Type							
Termination Type							
0= Straight							
1= Right Angle							
3= Upright							
5= SMT.							
Contact Design Type							
1= Female							
No. of Pos.							
1= 4 Pos.							
Modify Code							
Mating Area Plating							
3= 30u" Gold							
C= Gold Flash & 30u" Pa/Ni							
H= 30u" Gold (Lead Free)							
Q= Gold Flash & 30u" Pa/Ni (Lead Free)							
Body Length							
2= 4.13 [.163]							
3= 6.50 [.256]							

UB1112Q-4K0	30u"Pa/Ni & GOLD FLASH AT CONTACT AREA(LEAD FREE)
UB1112H-4K0	30u" Au AT CONTACT AREA (LEAD FREE)
UB1112C-4K0	30u"Pa/Ni & GOLD FLASH AT CONTACT AREA
UB11123-4K0	30u" Au AT CONTACT AREA
P/N	PLATING