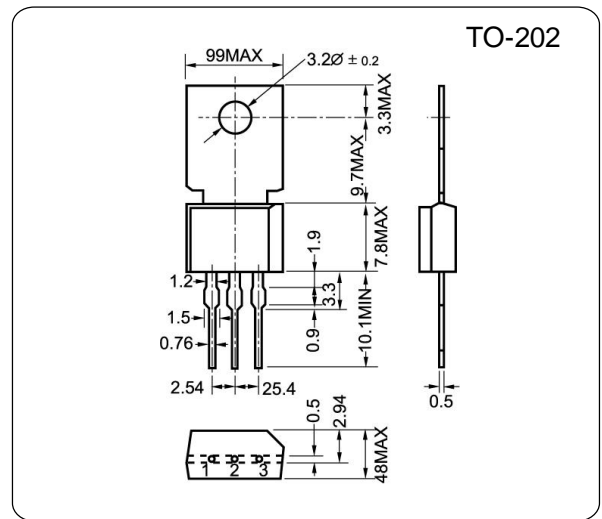


GENERAL DESCRIPTION

Thanks to highly sensitive triggering levels, the X04 SCR series is suitable for all applications where the available gate current is limited, such as capacitive discharge ignitions, motor control in kitchen aids, overvoltage crowbar protection in low power supplies...

ABSOLUTE MAXIMUM RATINGS (Ta = 25 °C)

Parameter	Symbol	Typ	Unit
Repetitive peak off-state voltages	V_{DRM} V_{RRM}	400	V
Average on-state current	$I_{T(AV)}$	2.5	A
RMS on-state current	$I_{T(RMS)}$	4.0	A
Non-repetitive peak on-state current	I_{TSM}	33	A
Max. Operating Junction Temperature	T_j	110	°C
Storage Temperature	T_{stg}	-45~150	°C


ELECTRICAL CHARACTERISTICS (Ta = 25 °C)

Parameter	Symbol	Test Conditions	Min	Typ	Max	Unit
Repetitive peak off-state voltages	V_{DRM} V_{RRM}		—	400	—	V
Average on-state current	$I_{T(AV)}$	half sine wave; $T_{mb} < 103\text{ °C}$	—	2.5	—	A
RMS on-state current	$I_{T(RMS)}$	all conduction angles	—	4.0	—	A
On-state voltage	V_{TM}	$I_T = 8.0\text{ A}$ $t_p = 380\text{ }\mu\text{ s}$	—	1.4	1.80	V
Holding current	I_H	$V_D = 12\text{ V}$; $I_{GT} = 0.1\text{ A}$	—	—	5.0	mA
Latching current	I_L	$V_D = 12\text{ V}$; $I_{GT} = 0.1\text{ A}$	6.0	—	—	mA
Gate trigger current	I_{GT}	$V_D = 12\text{ V}$; $I_T = 0.1\text{ A}$	—	—	200	uA
Gate trigger voltage	V_{GT}	$V_D = 12\text{ V}$; $I_T = 0.1\text{ A}$	—	0.8	1.5	V