

FEATURES AND SPECIFICATIONS

Features and Benefits

- Pre-assembled shield
- Plug shield coined at seam
- 1-step termination for low applied cost in cable assembly
- Clear polycarbonate housing for termination inspection
- 2 strain reliefs

Reference Information

Product Specification: PS-71350A
 Packaging: Bag
 Tooling Information: See end of section
 UL File No.: E29179
 CSA File No.: LR19980
 Designed In: Inches

Electrical

Voltage: 30V
 Current: 1.5A
 Contact Resistance: 10mΩ max.
 Dielectric Withstanding Voltage: 1000V AC rms
 Insulation Resistance: 500 MΩ min.

Electrical (cont'd)

Shielding Effectiveness: 30 to 500 MHz—20 dB min.
 500 MHz to 1 GHz—10 dB min.
 Electrostatic Discharge Protection: 20kV min.

Mechanical

Cable Pull-Out Force: 30 lb min.
 Plug to Socket Latch Strength: 15 lb min.
 Mating Force: 1.4 lb
 Unmating Force: 1.3 lb
 Normal Force: 100g min.
 Durability: 500 cycles min.

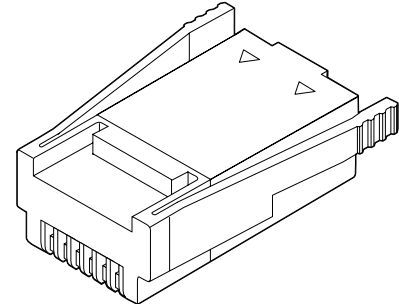
Physical

Housing: Clear thermoplastic, UL 94V-0
 Contact: Phosphor Bronze
 Plating: 50μ" select Gold in contact area, Tin/Lead in insulation displacement section, both over Nickel plate
 Shields: Brass with Tin-over-Nickel plate
 Operating Temperature: -20 to +80°C
 Wire Accommodation: 24 to 28 AWG foil-shielded flat, round and retractile cable

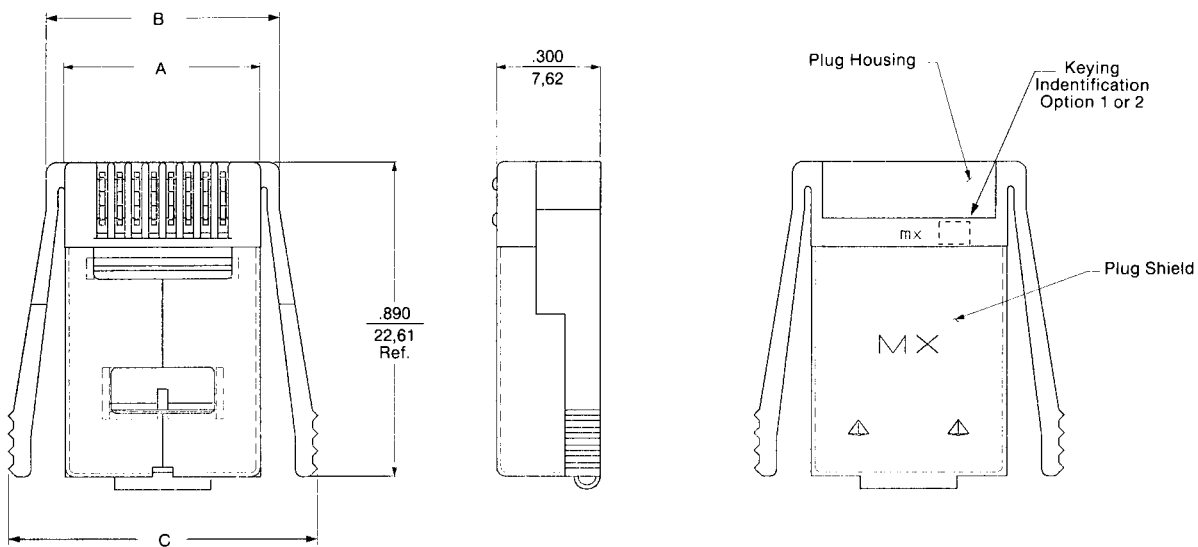


SEMCONN™ Shielded Plug Assembly for .050" Pitch Shielded Flat Cable

71350



CATALOG DRAWING (FOR REFERENCE ONLY)



ORDERING INFORMATION AND DIMENSIONS

Circuits	Order No.			Dimension		
	Non-Keyed Version	Keying Option 1	Keying Option 2	A	B	C
4	• 15-83-0604*	• 15-83-0634	• 15-83-0654	9.30 (.366)	12.06 (.475)	17.22 (.678)
6	• 15-83-0606*	• 15-83-0636	• 15-83-0656	11.84 (.466)	14.60 (.575)	19.76 (.778)
8	• 15-83-0608*	• 15-83-0638	• 15-83-0658	14.38 (.566)	17.14 (.675)	22.30 (.878)
16	• 15-83-0616*	• 15-83-0646	• 15-83-0666	24.54 (.966)	27.30 (1.075)	32.46 (1.278)

• US Standard Product, available through Molex franchised distributors

* Industry compatible

I/O Connectors

Q