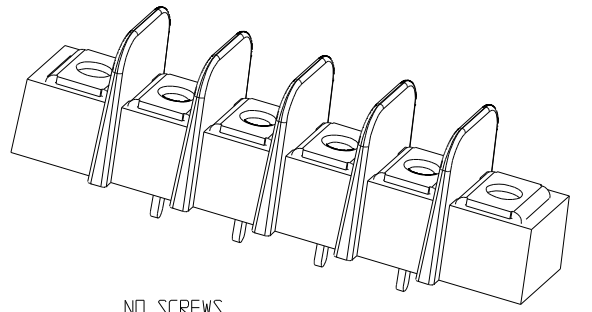
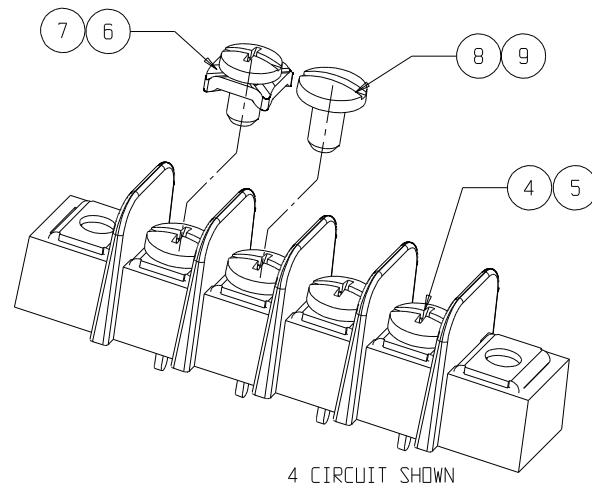
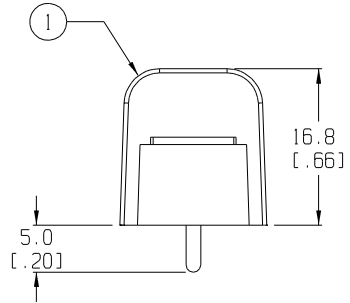
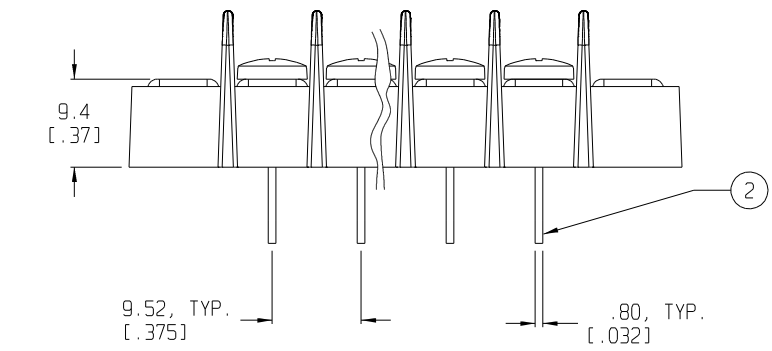


WIRE READY SPEC. (OPTION -47)
(FOR OPTIONAL SCREW -50
AND STANDARD SCREW.)



NO SCREWS
(OPTION -58 AND -59)
4 CIRCUIT SHOWN

NOTES:

1. MATERIAL: SEE TABLE
2. FINISHES: SEE TABLE
3. PRODUCT SPECIFICATION: NOT REQUIRED
4. PACKAGING: NOT REQUIRED
5. MATES WITH: NONE
6. INCH DIMENSIONS ARE IN BRACKETS [XXX].
7. REFER TO SD-38120-001 FOR IMPRINTING OPTIONS 10A AND 11A.
8. REFER TO SD-38120-007 FOR IMPRINTING OPTION 12A.

11	XX	#6-32 WRDY W/WASH SCR (-47, -50)	STEEL	ZN, CLEAR CHROMATE
10	XX	#6-32 PH/SLOT WRDY SCR (OPT -47)	STEEL	ZN, CLEAR CHROMATE
9	XX	#6-32 SLOTTED SCREW (OPT -56)	STAINLESS STEEL	PASSIVATE
8	XX	#6-32 SLOTTED SCREW (OPT -45)	STEEL	ZN, CLEAR CHROMATE
7	XX	#6-32 PH/SL W/WASH SCR (-49, -50)	BRASS	NICKEL
6	XX	#6-32 PH/SL W/WASH SCR (OPT -50)	STEEL	ZN, CLEAR CHROMATE
5	XX	#6-32 PH/SLOTTED SCREW (OPT -49)	BRASS	NICKEL
4	XX	#6-32 PH/SLOTTED SCREW (STD)	STEEL	ZN, CLEAR CHROMATE
3	2	MOUNTING PLATE	BRASS	NICKEL
2	XX	TERMINAL	BRASS	BRT. TIN/CU
1	1	BARRIER TERMINAL STRIP	THERMOPLASTIC	BLACK
ITEM	QTY.	DESCRIPTION	MATERIAL	FINISH

RELEASED
EC NO. WH 10-16-03
DRWN: CH'K: APPR:

DESCRIPTION

REV

QUALITY SYMBOLS

MAJOR =

CRITICAL =

SPC =

S =

GENERAL TOLERANCES: (UNLESS SPECIFIED)	
	INCH
4 PLACES	±.0015
3 PLACES	±.008
2 PLACES	±.13
1 PLACE	±.3
ANGULAR: ±2°	
DRAFT WHERE APPLICABLE MUST REMAIN WITHIN DIMENSIONS	

SCALE 2:1	DESIGN UNITS <input type="checkbox"/> mm <input checked="" type="checkbox"/> INCH
DRAWN BY & DATE W. HOWARD 10-16-03	
CHECKED BY & DATE	
APPROVED BY & DATE	
CAD FILENAME 725XX	

THIRD ANGLE PROJECTION

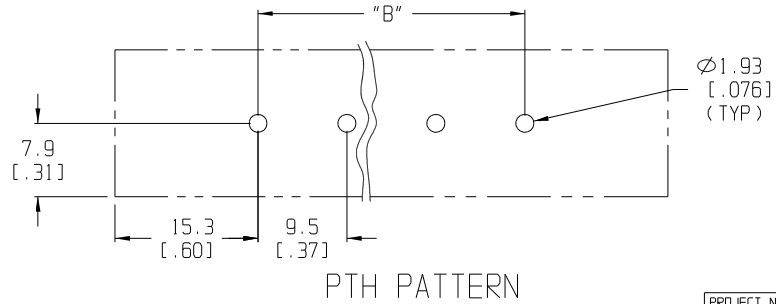
TITLE:
SR BTS, PC, RA ASS'Y

MOLEX INCORPORATED

PROJECT NO.		SHT	REV
DIMENSIONS:			
<input checked="" type="checkbox"/> mm INCH	<input type="checkbox"/> INCH mm	<input type="checkbox"/> mm ONLY	REVISE ON CAD ONLY
MATERIAL NO. SEE TABLE	DRAWING NO. SD-38720-001	SHEET NO. 1 OF 2	
THIS DRAWING CONTAINS INFORMATION THAT IS PROPRIETARY TO MOLEX INCORPORATED AND SHOULD NOT BE USED WITHOUT WRITTEN PERMISSION.			SIZE B

MATERIAL NO. (OPT 12A)	MATERIAL NO. (OPT 11A)	MATERIAL NO. (OPT 10A)	MATERIAL NO. (OPT -59)	MATERIAL NO. (OPT -58)	MATERIAL NO. (OPT -56)	MATERIAL NO. (OPT -50)	MATERIAL NO. (OPT -49, -50)	MATERIAL NO. (OPT -49)	MATERIAL NO. (OPT -47, -50)	MATERIAL NO. (STD)	NUMBER OF CIRCUITS "XX"
38729-0872	38729-0025	38729-1039		38729-0750	38729-0791	38720-7402	38729-1381	38720-6802		38720-6202	02
		38729-0014			38729-0117	38720-7403		38720-6803	38720-8603	38720-6203	03
38729-0256		38729-0940	38729-0945		38729-0839	38720-7404	38729-1159	38720-6804		38720-6204	04
		38729-0346			38729-1253	38720-7405	38729-1382	38720-6805		38720-6205	05
			38729-0400	38729-0386	38729-0980	38720-7406	38729-1383	38720-6806		38720-6206	06
		38729-0423	38729-0407	38729-0435	38729-0440	38720-7407		38720-6807		38720-6207	07
38729-0497				38729-0508	38729-0532	38720-7408		38720-6808		38720-6208	08
		38729-0548		38729-0560		38720-7409		38720-6809		38720-6209	09
		38729-1011	38729-0598	38729-0598		38720-7410		38720-6810		38720-6210	10
					38729-1252	38720-7411				38720-6211	11
		38729-0720			38729-0735	38720-7412		38720-6812		38720-6212	12
				38729-0809		38720-7413				38720-6213	13
				38729-0004		38720-7414		38720-6814		38720-6214	14
										38720-6215	15
										38720-6216	16
										38720-6217	17
										38720-6218	18
										38720-6219	19
										38720-6220	20
										38720-6221	21
										38720-6222	22
										38720-6223	23
										38720-6224	24
										38720-6225	25
										38720-6226	26

NUMBER OF CIRCUITS "XX"	DIM. "A"	DIM. "B"	DIM. "C"	DIM. "D"
02	40.1 [1.58]	9.53 [0.375]	28.6 [1.13]	21.1 [0.83]
03	49.7 [1.96]	19.05 [0.750]	38.1 [1.50]	30.6 [1.21]
04	59.2 [2.33]	28.58 [1.125]	47.6 [1.88]	40.1 [1.58]
05	68.7 [2.71]	38.10 [1.500]	57.2 [2.25]	49.7 [1.96]
06	78.2 [3.08]	47.63 [1.875]	66.7 [2.63]	59.2 [2.33]
07	87.8 [3.46]	57.15 [2.250]	76.2 [3.00]	68.7 [2.71]
08	97.3 [3.83]	66.68 [2.625]	85.7 [3.38]	78.2 [3.08]
09	106.8 [4.21]	76.20 [3.000]	95.3 [3.75]	87.8 [3.46]
10	116.3 [4.58]	85.73 [3.375]	104.8 [4.13]	97.3 [3.83]
11	125.9 [4.96]	95.25 [3.750]	114.3 [4.50]	106.8 [4.21]
12	135.4 [5.33]	104.78 [4.125]	123.8 [4.88]	116.3 [4.58]
13	144.9 [5.71]	114.30 [4.500]	133.4 [5.25]	125.9 [4.96]
14	154.4 [6.08]	123.83 [4.875]	142.9 [5.63]	135.4 [5.33]
15	164.0 [6.46]	133.35 [5.250]	152.4 [6.00]	144.9 [5.71]
16	173.5 [6.83]	142.88 [5.625]	161.9 [6.38]	154.4 [6.08]
17	183.0 [7.21]	152.40 [6.000]	171.5 [6.75]	164.0 [6.46]
18	192.5 [7.58]	161.93 [6.375]	181.0 [7.13]	173.5 [7.21]
19	202.1 [7.96]	171.45 [6.750]	190.5 [7.50]	183.0 [7.58]
20	211.6 [8.33]	180.98 [7.125]	200.0 [7.88]	192.5 [7.96]
21	221.1 [8.71]	190.50 [7.500]	209.6 [8.25]	202.1 [7.96]
22	230.6 [9.08]	200.03 [7.875]	219.1 [8.63]	211.6 [8.33]
23	240.2 [9.46]	209.55 [8.250]	228.6 [9.00]	221.1 [8.71]
24	249.7 [9.83]	219.08 [8.625]	238.1 [9.38]	230.6 [9.08]
25	259.2 [10.21]	228.60 [9.000]	247.7 [9.75]	240.2 [9.46]
26	268.7 [10.58]	238.13 [9.375]	257.2 [10.13]	249.7 [9.83]



EC NO. SEE SHT 1 DRAWN: N/A CHK: N/A APPR: N/A REV: N/A	QUALITY SYMBOLS: MAJOR = CRITICAL = SPC =	GENERAL TOLERANCES: (UNLESS SPECIFIED)	SCALE: 2:1 DESIGN UNITS: <input type="checkbox"/> mm <input checked="" type="checkbox"/> INCH	THIRD ANGLE PROJECTION	PROJECT NO. DIMENSIONS: <input checked="" type="checkbox"/> mm <input type="checkbox"/> INCH <input type="checkbox"/> mm ONLY	SHT REV
		4 PLACES ±.0015 3 PLACES ±.038 ±.005 2 PLACES ±.13 ±.01 1 PLACE ±.3	DRAWN BY & DATE W. HOWARD 10-16-03	CHECKED BY & DATE	TITLE: SR BTS, PC, RA ASS'Y	REVISE ON CAD ONLY
		ANGULAR: ±2°	APPROVED BY & DATE	CAD FILENAME 725XX	MOLEX INCORPORATED	SHEET NO. 2 OF 2
		DRAFT WHERE APPLICABLE MUST REMAIN WITHIN DIMENSIONS	THIS DRAWING CONTAINS INFORMATION THAT IS PROPRIETARY TO MOLEX INCORPORATED AND SHOULD NOT BE USED WITHOUT WRITTEN PERMISSION.	MATERIAL NO. SEE TABLE DRAWING NO. SD-38720-001	SIZE B	