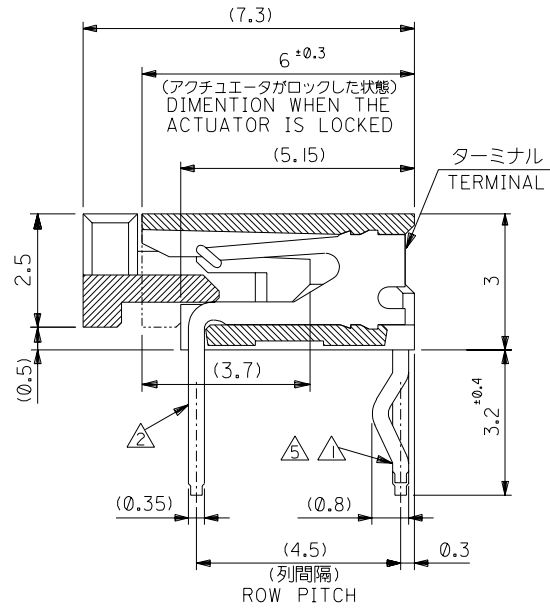
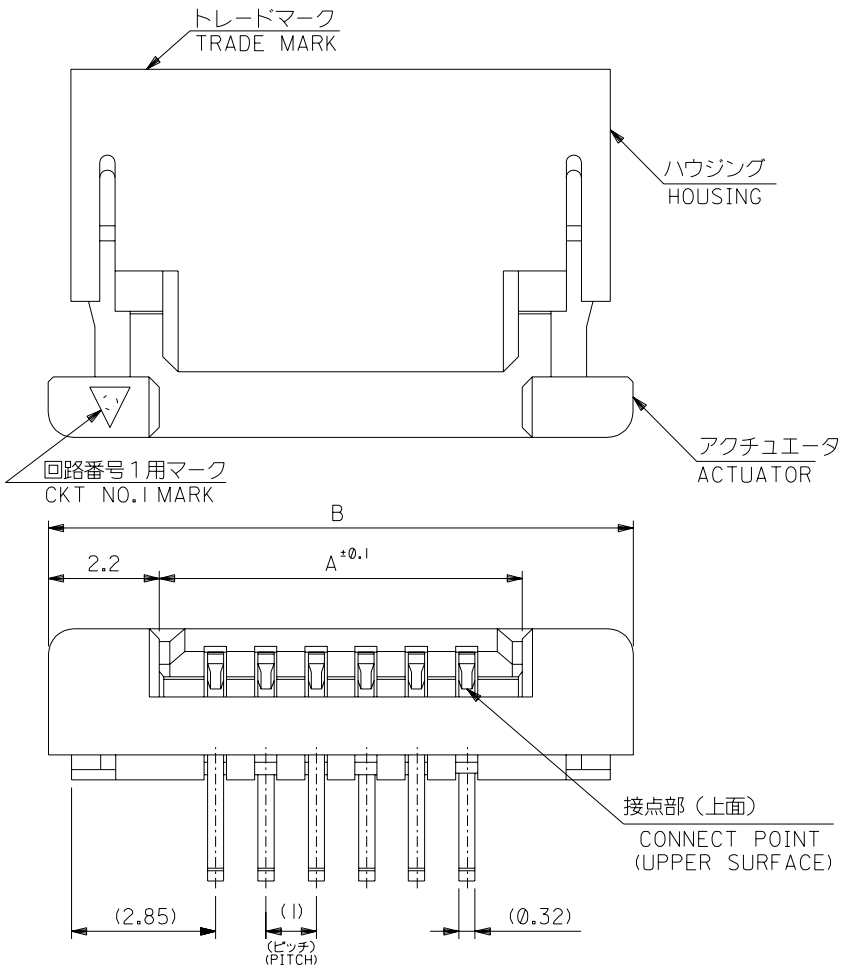


DWG. NO. SD-52089-010



35.6	31.2	52089-3029	30
34.6	30.2	-2929	29
33.6	29.2	-2829	28
32.6	28.2	-2729	27
31.6	27.2	-2629	26
30.6	26.2	-2529	25
29.6	25.2	-2429	24
28.6	24.2	-2329	23
27.6	23.2	-2229	22
26.6	22.2	-2129	21
25.6	21.2	-2029	20
24.6	20.2	-1929	19
23.6	19.2	-1829	18
22.6	18.2	-1729	17
21.6	17.2	-1629	16
20.6	16.2	-1529	15
19.6	15.2	-1429	14
18.6	14.2	-1329	13
17.6	13.2	-1229	12
16.6	12.2	-1129	11
15.6	11.2	-1029	10
14.6	10.2	-0929	9
13.6	9.2	-0829	8
12.6	8.2	-0729	7
11.6	7.2	-0629	6
10.6	6.2	-0529	5
9.6	5.2	52089-0429	4
B	A	MATERIAL NO.	極数 CKT.

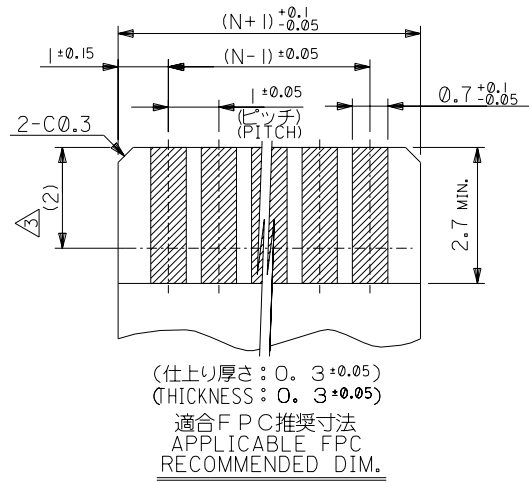
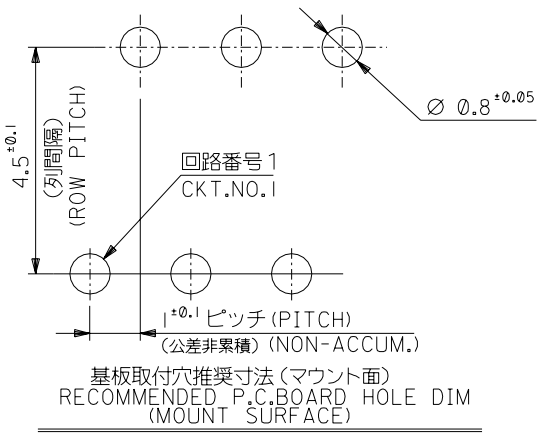
DO NOT SCALE DRAWING

EC NO. DRWN: CHK: APPR:	EC NO. DRWN: CHK: APPR:	EC NO. DRWN: CHK: APPR:	EC NO. DRWN: CHK: APPR:	EC NO. DRWN: CHK: APPR:
RELEASED				
EC NO. J2004-2520				
DRWN: H.KAWABATA '04/02/18				
CHK: K.TOJO '04/02/18				
APPR: M.SASAO '04/02/18				
DESCRIPTION				
MATERIAL 材料				
SHEET 2 OF 2 参照 REFER TO SHEET 2 OF 2				
FINISH 仕上げ				
—//—				
WIRE RANGE 適用電線範囲				
—//—				
INS. RANGE 被覆外径				
—//—				

GENERAL TOLERANCES: (UNLESS SPECIFIED) 一般公差	SCALE	DESIGN UNITS	THIRD ANGLE PROJECTION	DIMENSIONS:	SHT	REV
10 UNDER 未満	—//—	mm <input checked="" type="checkbox"/> INCH <input type="checkbox"/>	<input type="checkbox"/> <input checked="" type="checkbox"/>	<input type="checkbox"/> mm <input type="checkbox"/> INCH <input type="checkbox"/>		
10 OVER 以上						
30 UNDER 未満						
30 OVER 以上						
ANGLE 角度						

MODEL NO.	52089-***29
DESIGNED BY & DATE	H.KAWABATA '04/02/18
CHECKED BY & DATE	K.TOJO '04/02/18
APPROVED BY & DATE	M.SASAO '04/02/18
CAD FILENAME	SD-52089-010.S01

TITLE:		I.0 FPC CONN. Z.I.F.R/A	
		-LEAD FREE-	
<b>MOLEX INCORPORATED</b>			
MATERIAL NO.	DRAWING NO.	SHEET NO.	REV
SEE CHART	SD-52089-010	1 OF 2	
THIS DRAWING CONTAINS INFORMATION THAT IS PROPRIETARY TO MOLEX INCORPORATED AND SHOULD NOT BE USED WITHOUT WRITTEN PERMISSION.			
			SIZE B



注記 NOTES

- △ CKT NO.1を基準に偶数番目のソルダーテール。  
EVEN NUMBER SOLDER TAIL
- △ CKT NO.1を基準に奇数番目のソルダーテール。  
ODD NUMBER SOLDER TAIL
- △ 接点部までの嵌合長さ。  
LENGTH TO CONTACT POINT.
- 4. 使用材料  
MATERIAL  
ハウジング : 66ナイロン, UL94V-0  
HOUSING : 66NYLON, UL94V-0  
アクチュエータ : ポリエステル, UL94V-0  
ACTUATOR : POLYESTER, UL94V-0  
ターミナル : リン青銅, ニッケル下地 錫ビスマスメッキ  
TERMINAL : PHOS-BRO.TIN-BISMUTH PLATED OVER NICKEL
- △ キングはソルダーテール△の両端のみに適用。  
KINK APPLIES BOTH SIDE △ TERMINALS ONLY
- 6. 本製品は 52089-\*\*\*20 の鉛フリー品である。  
THIS PRODUCT IS LEAD FREE OF 52089-\*\*\*20

FPCについて:  
打抜き方向は導体側から補強板側を推奨致します。  
補強フィルム材質はポリイミドを推奨致します。  
接着剤は熱硬化接着剤を推奨致します。

ABOUT FPC:  
RECOMMENDED PUNCHER DIRECTION : FORM CONDUCTOR SIDE TO STIFFENER BOARD SIDE.  
RECOMMENDED MATERIAL:  
STIFFENER FILM : POLYIMIDE  
BONDING AGENT : THERMOSETTING BONDING AGENT

EC NO. DRWN: CHK: APPR:		EC NO. DRWN: CHK: APPR:		EC NO. DRWN: CHK: APPR:		EC NO. DRWN: CHK: APPR:		SEE SHEET 1 OF 2 EC NO. DRWN: CHK: APPR:		MATERIAL 材料 注記参照 SEE NOTES		GENERAL TOLERANCES: (UNLESS SPECIFIED) 一般公差		SCALE —//—		DESIGN UNITS ☑ mm ☐ INCH		THIRD ANGLE PROJECTION		DIMENSIONS: ☐ mm ☐ INCH ☑ mm ONLY		SHT REV			
										FINISH 仕上げ ——//——		10 UNDER 未満		±0.2		DRAWN BY & DATE H.KAWABATA '04/02/18		TITLE: 1.0 FPC CONN. Z.I.F. R/A -LEAD FREE-		MATERIAL NO. DRAWING NO. SD-52089-010		SHEET NO. 2 OF 2			
										30 UNDER 未満		±0.25		CHECKED BY & DATE K.TOJO '04/02/18											
										30 OVER 以上		±0.3		APPROVED BY & DATE M.SASAO '04/02/18											
										WIRE RANGE 適用電線範囲 ——//——		ANGLE 角度		±3°		CAD FILENAME SD-52089-010.S02									
										INS. RANGE 被覆外径 ——//——												THIS DRAWING CONTAINS INFORMATION THAT IS PROPRIETARY TO MOLEX INCORPORATED AND SHOULD NOT BE USED WITHOUT WRITTEN PERMISSION.		SIZE B	