

**64M x 72 2-Bank Registered/Buffered SDRAM Module****Features**

- 168-Pin Registered 8-Byte Dual In-Line Memory Module
- 64Mx72 Synchronous DRAM DIMM
- Performance:

		-260	-360	-360	Units
	Device Latency	2	2	3	
f _{CK}	Clock Frequency	100	66	100	MHz
t _{AC}	Clock Access Time	7.2	10.2	7.2	ns

- Intended for 66/100MHz and PC100 applications
- Inputs and outputs are LVTTTL (3.3V) compatible
- Single 3.3V ± 0.3V power supply
- Single Pulsed RAS interface
- SDRAMs have four internal banks
- Module has two physical banks
- Fully synchronous to positive clock edge

- Programmable operation:
 - DIMM CAS Latency: 3, 4 (Registered mode); 2, 3 (Buffered mode)
 - Burst Type: Sequential or Interleave
 - Burst Length: 1, 2, 4, 8, Full-Page (Full-Page supports Sequential burst only)
 - Operation: Burst Read and Write or Multiple Burst Read with Single Write
- Data Mask for Byte Read/Write control
- Auto Refresh (CBR) and Self Refresh
- Automatic and controlled Precharge commands
- Suspend mode and Power Down mode
- 12/11/2 Addressing (Row/Column/Bank)
- 4096 refresh cycles distributed across 64ms
- Card size: 5.25" x 1.70" x 0.320"
- Gold contacts
- DRAMs in TSOJ - 2 High Package
- Serial Presence Detect with Write protect

Description

IBM13M64734CCA is a registered 168-Pin Synchronous DRAM Dual In-Line Memory Module (DIMM) organized as a 64Mx72 high-speed memory array and is configured as two 32Mx72 physical banks. The DIMM uses 18 64Mx4 SDRAMs in 400 mil TSOJ stacked packages. The DIMM achieves high-speed data-transfer rates of up to 100MHz by employing a prefetch/pipeline hybrid architecture that synchronizes the output data to a system clock.

The DIMM is intended for use in applications operating from 66MHz to 100MHz, PC100, memory bus speeds, and/or heavily loaded bus applications. All control and address signals are re-driven through registers/buffers to the SDRAM devices. The DIMM can be operated in either Registered mode (REGE pin tied high), where the control/address input signals are latched in the register on one rising clock edge and sent to the SDRAM devices on the following rising clock edge (data access is delayed by one clock), or in Buffered mode (REGE pin tied low), where the input signals pass through the register/buffer to the SDRAM devices on the same clock. XTK simulation models of the DIMM are available to determine which mode to design for.

A phase-lock loop (PLL) on the DIMM is used to re-drive the clock signals to both the SDRAM devices and the registers to minimize system clock loading.

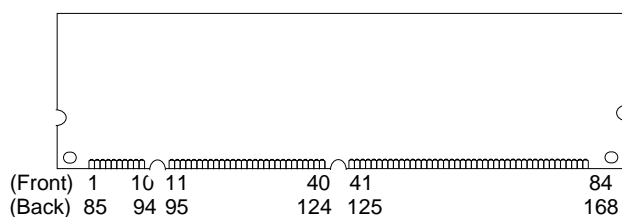
(CK0 is connected to the PLL, and CK1, CK2, and CK3 are terminated on the DIMM.) A single clock enable (CKE0) controls all devices on the DIMM, enabling the use of SDRAM Power Down modes; the stacked devices share a common CKE pin.

Prior to any access operation, the device $\overline{\text{CAS}}$ latency and burst type/length/operation type must be programmed into the DIMM by address inputs A0-A9 using the mode register set cycle. The DIMM $\overline{\text{CAS}}$ latency when operated in Buffered mode is the same as the device $\overline{\text{CAS}}$ latency as specified in the SPD EEPROM. The DIMM $\overline{\text{CAS}}$ latency when operated in Registered mode is one clock later due to the address and control signals being clocked to the SDRAM devices.

The DIMM uses serial presence detects implemented via a serial EEPROM using the two-pin IIC protocol. The first 128 bytes of serial PD data are programmed and locked by the DIMM manufacturer. The last 128 bytes are available to the customer and may be write protected by providing a high level to pin 81 on the DIMM. An on-board pull-down resistor keeps this in the Write Enable mode.

All IBM 168-pin DIMMs provide a high-performance, flexible 8-byte interface in a 5.25" long space-saving footprint.

Card Outline



Pin Description

CK0 - CK3	Clock Inputs	DQ0 - DQ63	Data Input/Output
CKE0	Clock Enable	CB0 - CB7	Check Bit Data Input/Output
$\overline{\text{RAS}}$	Row Address Strobe	DQMB0 - DQMB7	Data Mask
$\overline{\text{CAS}}$	Column Address Strobe	V_{DD}	Power (3.3V)
$\overline{\text{WE}}$	Write Enable	V_{SS}	Ground
$\overline{\text{S}}_0, \overline{\text{S}}_1, \overline{\text{S}}_2, \overline{\text{S}}_3$	Chip Selects	NC	No Connect
A0 - A9, A11	Address Inputs	SCL	Serial Presence Detect Clock Input
A10/AP	Address Input/Autoprecharge	SDA	Serial Presence Detect Data Input/Output
BA0, BA1, (A13, A12)	SDRAM Bank Address Inputs	SA0-2	Serial Presence Detect Address Inputs
WP	SPD Write Protect	REGE	Register Enable



Pinout

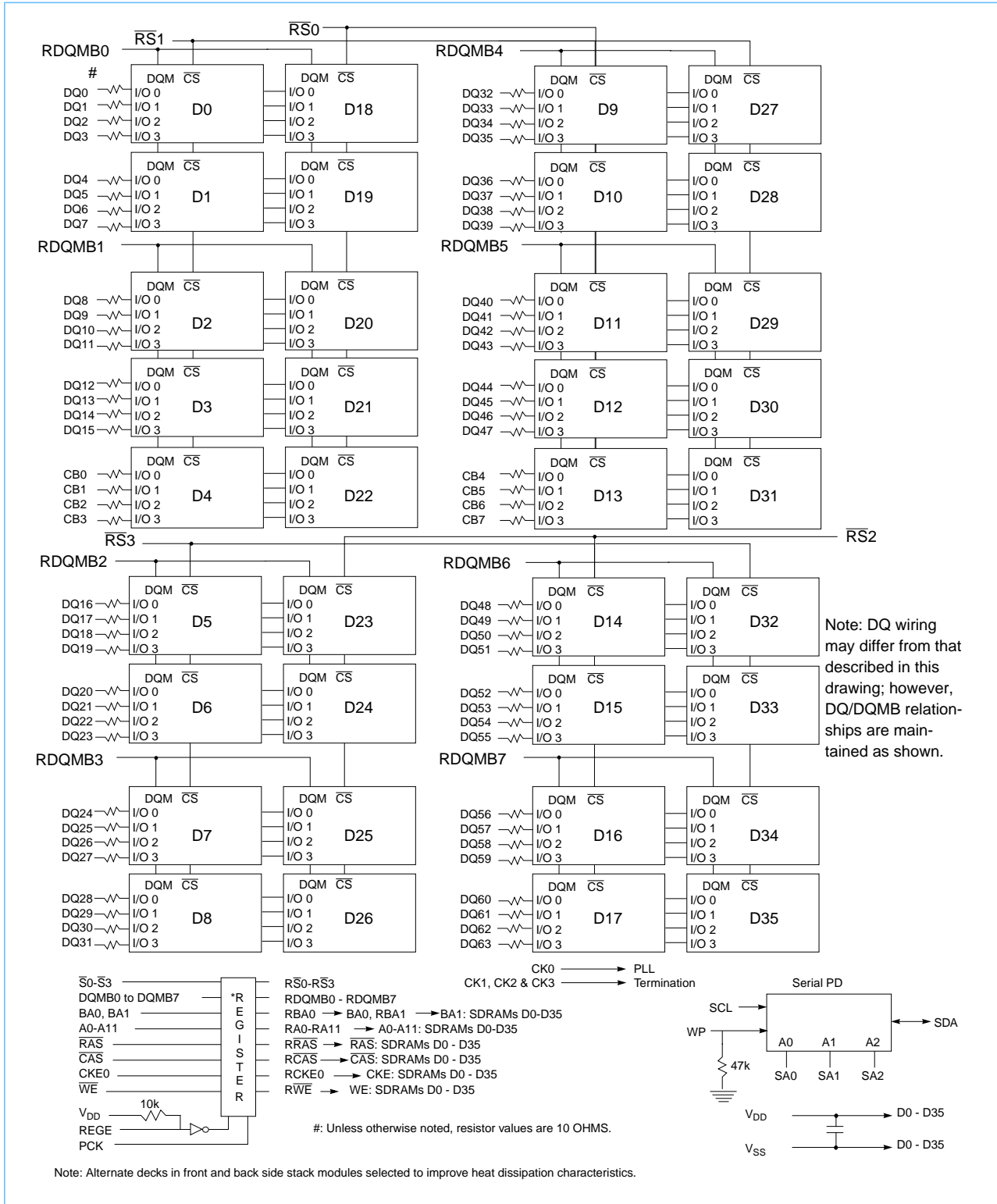
Pin#	Front Side	Pin#	Back Side	Pin#	Front Side	Pin#	Back Side	Pin#	Front Side	Pin#	Back Side	Pin#	Front Side	Pin#	Back Side
1	V _{SS}	85	V _{SS}	22	CB1	106	CB5	43	V _{SS}	127	V _{SS}	64	V _{SS}	148	V _{SS}
2	DQ0	86	DQ32	23	V _{SS}	107	V _{SS}	44	NC	128	CKE0	65	DQ21	149	DQ53
3	DQ1	87	DQ33	24	NC	108	NC	45	$\overline{S}2$	129	$\overline{S}3$	66	DQ22	150	DQ54
4	DQ2	88	DQ34	25	NC	109	NC	46	DQMB2	130	DQMB6	67	DQ23	151	DQ55
5	DQ3	89	DQ35	26	V _{DD}	110	V _{DD}	47	DQMB3	131	DQMB7	68	V _{SS}	152	V _{SS}
6	V _{DD}	90	V _{DD}	27	\overline{WE}	111	\overline{CAS}	48	NC	132	NC	69	DQ24	153	DQ56
7	DQ4	91	DQ36	28	DQMB0	112	DQMB4	49	V _{DD}	133	V _{DD}	70	DQ25	154	DQ57
8	DQ5	92	DQ37	29	DQMB1	113	DQMB5	50	NC	134	NC	71	DQ26	155	DQ58
9	DQ6	93	DQ38	30	$\overline{S}0$	114	$\overline{S}1$	51	NC	135	NC	72	DQ27	156	DQ59
10	DQ7	94	DQ39	31	NC	115	\overline{RAS}	52	CB2	136	CB6	73	V _{DD}	157	V _{DD}
11	DQ8	95	DQ40	32	V _{SS}	116	V _{SS}	53	CB3	137	CB7	74	DQ28	158	DQ60
12	V _{SS}	96	V _{SS}	33	A0	117	A1	54	V _{SS}	138	V _{SS}	75	DQ29	159	DQ61
13	DQ9	97	DQ41	34	A2	118	A3	55	DQ16	139	DQ48	76	DQ30	160	DQ62
14	DQ10	98	DQ42	35	A4	119	A5	56	DQ17	140	DQ49	77	DQ31	161	DQ63
15	DQ11	99	DQ43	36	A6	120	A7	57	DQ18	141	DQ50	78	V _{SS}	162	V _{SS}
16	DQ12	100	DQ44	37	A8	121	A9	58	DQ19	142	DQ51	79	CK2	163	CK3
17	DQ13	101	DQ45	38	A10/AP	122	BA0	59	V _{DD}	143	V _{DD}	80	NC	164	NC
18	V _{DD}	102	V _{DD}	39	BA1	123	A11	60	DQ20	144	DQ52	81	WP	165	SA0
19	DQ14	103	DQ46	40	V _{DD}	124	V _{DD}	61	NC	145	NC	82	SDA	166	SA1
20	DQ15	104	DQ47	41	V _{DD}	125	CK1	62	NC	146	NC	83	SCL	167	SA2
21	CB0	105	CB4	42	CK0	126	NC	63	NC	147	REGE	84	V _{DD}	168	V _{DD}

Note: All pin assignments are consistent with all 8-byte unbuffered versions.

Ordering Information

Part Number	Organization	Clock Cycle	\overline{CAS} Latency	Access Time	Leads	Dimension	Power
IBM13M64734CCA-260Y	64Mx72	10ns	2	6.0ns	Gold	5.25" x 1.70" x 0.320"	3.3V
IBM13M64734CCA-360Y	64Mx72	10ns	3	6.0ns			

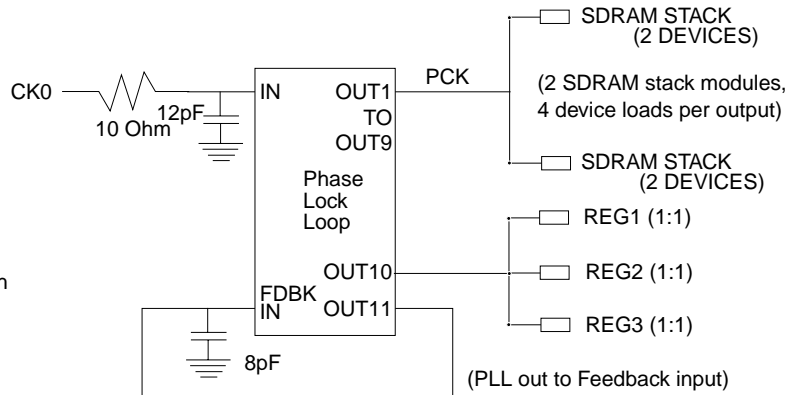
x72 ECC SDRAM DIMM Block Diagram (2-Bank, x4 SDRAMs)



Clock Wiring

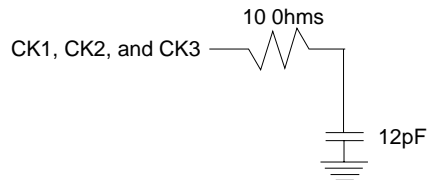
Clock Net Wiring (CK0):

One of 9 SDRAM outputs shown.
 All PLL clock SDRAM loads equal.
 Achieved in part through equal length wiring.



- Notes:**
1. The PLL is programmed via a combination of the feedback path and on DIMM loading. PLL feedback produces zero phase shift from the delayed CK0 input.
 2. Card wiring and capacitance loading variation: $\pm 100\text{ps}$.
 3. Timing is based on a driver with a 1 Volt/ns rise time.

Terminated Clock Nets (CK1, CK2, and CK3):





Input/Output Functional Description

Symbol	Type	Signal	Polarity	Function
CK0 - CK3	Input	Pulse	Positive Edge	The system clock inputs. All of the SDRAM inputs are sampled on the rising edge of their associated clock. CK0 drives the PLL. CK1, CK2 & CK3 are terminated.
CKE0	Input	Level	Active High	Activates the SDRAM CK signal when high and deactivates the CK signal when low. By deactivating the clocks, CKE low initiates the Power Down mode, Suspend mode, or the Self Refresh mode.
$\overline{S0} - \overline{S3}$	Input	Pulse	Active Low	Enables the associated SDRAM command decoder when low and disables the command decoder when high. When the command decoder is disabled, new commands are ignored but previous operations continue. Physical Bank 0 is selected by $\overline{S0}$ and $\overline{S2}$; Bank 1 is selected by $\overline{S1}$ and $\overline{S3}$.
\overline{RAS} , \overline{CAS} , \overline{WE}	Input	Pulse	Active Low	When sampled at the positive rising edge of the clock, \overline{CAS} , \overline{RAS} , and \overline{WE} define the operation to be executed by the SDRAM.
BA0, 1	Input	Level	—	Selects which SDRAM bank of four is activated.
A0 - A9, A11 A10/AP	Input	Level	—	During a Bank Activate command cycle, A0-A11 defines the row address (RA0-RA11) when sampled at the rising clock edge. During a Read or Write command cycle, A0-A9 and A11 defines the column address (CA0-CA9, C11) when sampled at the rising clock edge. In addition to the column address, AP is used to invoke autoprecharge operation at the end of the burst read or write cycle. If AP is high, autoprecharge is selected and BA0, BA1 defines the bank to be precharged. If AP is low, autoprecharge is disabled. During a Precharge command cycle, AP is used in conjunction with BA0, BA1 to control which bank(s) to precharge. If AP is high, all banks will be precharged regardless of the state of BA0 or BA1. If AP is low, then BA0 and BA1 are used to define which bank to precharge.
DQ0 - DQ63, CB0 - CB7	Input Output	Level	—	Data and Check Bit Input/Output pins.
DQMB0 - DQMB7	Input	Pulse	Active High	The Data Input/Output masks, associated with one data byte, place the DQ buffers in a high impedance state when sampled high. In Read mode, DQMB has a latency of two clock cycles in Buffered mode or three clock cycles in Registered mode, and controls the output buffers like an output enable. In Write mode, DQMB has a zero clock latency in Buffered mode and a latency of one clock cycle in Registered mode. In this case, DQMB operates as a byte mask by allowing input data to be written if it is low but blocks the write operation if it is high.
V _{DD} , V _{SS}	Supply			Power and ground for the module.
REGE	Input	Level	Active High (Register Mode Enable)	The Register Enable pin is used to permit the DIMM to operate in Buffered mode (inputs re-driven asynchronously) or Registered mode (signals re-driven to SDRAMs when clock rises, and held valid until next rising clock).
SA0 - 2	Input	Level	—	These signals are tied at the system planar to either V _{SS} or V _{DD} to configure the SPD EEPROM.
SDA	Input Output	Level	—	This is a bidirectional pin used to transfer data into or out of the SPD EEPROM. A resistor must be connected from the SDA bus time to V _{DD} to act as a pull up.
SCL	Input	Pulse	—	This signal is used to clock data into and out of the SPD EEPROM. A resistor may be connected from the SCL bus time to V _{DD} to act as a pull up.
WP	Input	Level	Active High	This signal is pulled low on the DIMM to enable data to be written into the last 128 bytes of the SPD EEPROM.



Serial Presence Detect (Part 1 of 2)

Byte #	Description	SPD Entry Value	Serial PD Data Entry (Hexadecimal)	Notes	
0	Number of Serial PD Bytes Written during Production	128	80		
1	Total Number of Bytes in Serial PD device	256	08		
2	Fundamental Memory Type	SDRAM	04		
3	Number of Row Addresses on Assembly	12	0C		
4	Number of Column Addresses on Assembly	11	0B		
5	Number of DIMM Banks	2	02		
6 - 7	Data Width of Assembly	x72	4800		
8	Assembly Voltage Interface Levels	LVTTTL	01		
9	SDRAM Device Cycle Time (CL = 3)	10.0ns	A0	1, 2	
10	SDRAM Device Access Time from Clock at CL=3	6.0ns	60		
11	DIMM Configuration Type	ECC	02		
12	Assembly Refresh Rate/Type	SR/1X(15.625us)	80		
13	SDRAM Device Width	x4	04		
14	Error Checking SDRAM Device Width	x4	04		
15	SDRAM Device Attr: Min Clk Delay, Random Col Access	1 Clock	01		
16	SDRAM Device Attributes: Burst Lengths Supported	1,2,4,8, Full Page	8F		
17	SDRAM Device Attributes: Number of Device Banks	4	04		
18	SDRAM Device Attributes: $\overline{\text{CAS}}$ Latency	2, 3	06		
19	SDRAM Device Attributes: $\overline{\text{CS}}$ Latency	0	01		
20	SDRAM Device Attributes: $\overline{\text{WE}}$ Latency	0	01		
21	SDRAM Module Attributes	Registered/Buffered with PLL	IF		
22	SDRAM Device Attributes: General	Write-1/Read Burst, Pre-charge All, Auto-Precharge	0E		
23	Minimum Clock Cycle at CLX-1 (CL = 2)	-260	10.0ns	A0	1, 2
		-360	15.0ns	FO	
24	Maximum Data Access Time (t_{AC}) from Clock at CLX-1 (CL = 2)	-260	6.0ns	60	
		-360	9.0ns	90	
25	Minimum Clock Cycle Time at CLX-2 (CL = 1)	N/A	00		
26	Maximum Data Access Time (t_{AC}) from Clock at CLX-2 (CL = 1)	N/A	00		
27	Minimum Row Precharge Time (t_{RP})	20.0ns	14		
28	Minimum Row Active to Row Active delay (t_{RRD})	20.0ns	14		

- In a registered DIMM, data is delayed an additional clock cycle due to the on-DIMM pipeline register (i.e., Device CL [clock cycles] + 1 = DIMM $\overline{\text{CAS}}$ latency).
- Minimum application clock cycle time is 10ns (100MHz) for the -260 and -360.
- cc = Checksum Data byte, 00-FF (Hex).
- "R" = Alphanumeric revision code, A-Z, 0-9.
- rr = ASCII coded revision code byte "R".
- ww = Binary coded decimal week code, 01-52 (Decimal) → 01-34 (Hex).
- yy = Binary coded decimal year code, 00-99 (Decimal) → 00-63 (Hex).
- ss = Serial number data byte, 00-FF (Hex).



Serial Presence Detect (Part 2 of 2)

Byte #	Description	SPD Entry Value	Serial PD Data Entry (Hexadecimal)	Notes
29	Minimum \overline{RAS} to \overline{CAS} delay (t_{RCD})	20.0ns	14	
30	Minimum \overline{RAS} Pulse width (t_{RAS})	50.0ns	32	
31	Module Bank Density	256MB	40	
32	Address and Command Setup Time Before Clock	2.0ns	20	
33	Address and Command Hold Time After Clock	1.0ns	10	
34	Data Input Setup Time Before Clock	2.0ns	20	
35	Data Input Hold Time After Clock	1.0ns	10	
36 - 61	Reserved	Undefined	00	
62	SPD Revision	PC100 1.2A	12	
63	Checksum for bytes 0 - 62	Checksum Data	cc	3
64 - 71	Manufacturers' JEDEC ID Code	IBM	A400000000000000	
72	Assembly Manufacturing Location	Toronto, Canada	91	
		Vimercate, Italy	53	
73 - 90	Assembly Part Number	-260 ASCII '13M64734CC"R"-260Y'	31334D36343733344343rr 2D323630592020	4, 5
		-360 ASCII '13M64734CC"R"-360Y'	31334D36343733344343rr 2D333630592020	
91 - 92	Assembly Revision Code	"R" plus ASCII blank	rr20	5
93 - 94	Assembly Manufacturing Date	Year/Week Code	yyww	6, 7
95 - 98	Assembly Serial Number	Serial Number	ssssssss	8
99 - 125	Reserved	Undefined	Not Specified	
126	Module Supports this Clock Frequency	100MHz	64	
127	Attributes for clock frequency defined in Byte 126	-260 CLK0, CL=2,3 ConAP	87	
		-360 CLK0, CL=3, ConAP	85	
128 - 255	Open for Customer Use	Undefined	00	

1. In a registered DIMM, data is delayed an additional clock cycle due to the on-DIMM pipeline register (i.e., Device CL [clock cycles] + 1 = DIMM CAS latency).
2. Minimum application clock cycle time is 10ns (100MHz) for the -260 and -360.
3. cc = Checksum Data byte, 00-FF (Hex).
4. "R" = Alphanumeric revision code, A-Z, 0-9.
5. rr = ASCII coded revision code byte "R".
6. ww = Binary coded decimal week code, 01-52 (Decimal) → 01-34 (Hex).
7. yy = Binary coded decimal year code, 00-99 (Decimal) → 00-63 (Hex).
8. ss = Serial number data byte, 00-FF (Hex).



Absolute Maximum Ratings

Symbol	Parameter	Rating	Units	Notes
V_{DD}	Power Supply Voltage	-0.3 to +4.6		
V_{IN}	Input Voltage	SDRAM Devices	-1.0 to +4.6	V 1
		Serial PD Device	-0.3 to +6.5	
		Register	0 - V_{DD}	
		PLL	0 - V_{DD}	
V_{OUT}	Output Voltage	SDRAM Devices	-1.0 to +4.6	
		Serial PD Device	-0.3 to +6.5	
T_A	Operating Temperature (ambient)	0 to +70	°C	1
T_{STG}	Storage Temperature	-55 to +125	°C	1
P_D	Power Dissipation	10ns	24.7	W 1, 2
		15ns	19.30	
I_{OUT}	Short Circuit Output Current	50	mA	1
F_{MIN}	Minimum Operating Frequency	66	MHz	

1. Stresses greater than those listed under "Absolute Maximum Ratings" may cause permanent damage to the device. This is a stress rating only and functional operation of the device at these or any other conditions above those indicated in the operational sections of this specification is not implied. Exposure to absolute maximum rating conditions for extended periods may affect reliability.
2. Maximum power is calculated assuming physical Bank 0 is in AutoRefresh mode and physical Bank 1 is in AutoRefresh mode.

Recommended DC Operating Conditions ($T_A = 0$ to 70°C)

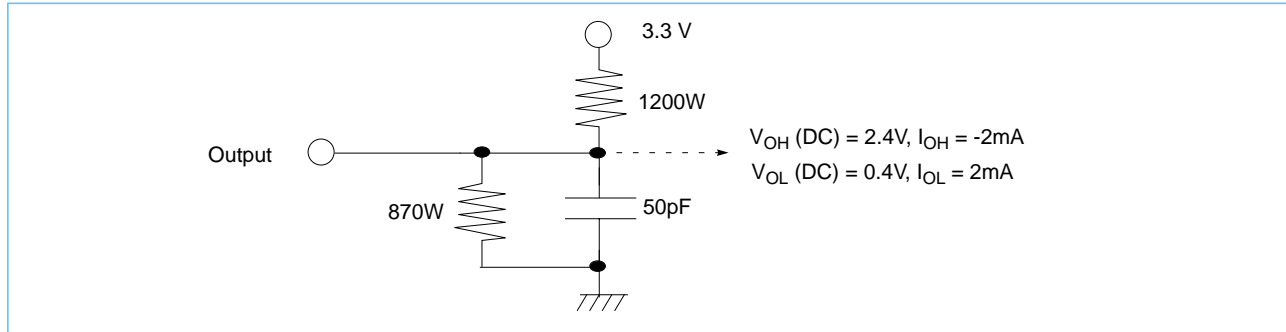
Symbol	Parameter	Rating			Units	Notes
		Min.	Typ.	Max.		
V_{DD}	Supply Voltage	3.0	3.3	3.6	V	1
V_{IH}	Input High Voltage	2.0	—	$V_{DD} + 0.3$	V	1
V_{IL}	Input Low Voltage	-0.3	—	0.8	V	1

1. All voltages referenced to V_{SS} .

Capacitance ($T_A= 25^\circ\text{C}$, $f=1\text{MHz}$, $V_{DD}= 3.3\text{V} \pm 0.3\text{V}$)

Symbol	Parameter	Organization	Units
		x72 Max.	
C _{I1}	Input Capacitance (A0 - A9, A10/AP, A11, BA0, BA1)	19	pF
C _{I2}	Input Capacitance ($\overline{\text{RAS}}$)	18	pF
C _{I3}	Input Capacitance ($\overline{\text{CAS}}$)	18	pF
C _{I4}	Input Capacitance (S0 - S3)	15	pF
C _{I5}	Input Capacitance (CKE0)	38	pF
C _{I6}	Input Capacitance (CK0)	28	pF
C _{I7}	Input Capacitance (DQMB0 - DQMB7)	14	pF
C _{I8}	Input Capacitance (SA0 - SA2, SCL, WP)	9	pF
C _{I9}	Input Capacitance (REGE)	10	pF
C _{I10}	Input Capacitance (CK1, CK2, and CK3)	16	pF
C _{I11}	Input Capacitance ($\overline{\text{WE}}$)	19	pF
C _{IO1}	Input/Output Capacitance (DQ0 - DQ63, CB0 - CB7)	20	pF
C _{IO2}	Input/Output Capacitance (SDA)	11	pF

DC Output Load Circuit



Input/Output Characteristics (T_A = 0 to +70°C, V_{DD} = 3.3V ± 0.3V)

Symbol	Parameter	x72		Units	Notes
		Min.	Max.		
I _{I(L)}	Input Leakage Current, any input (0.0V ≤ V _{IN} ≤ 3.6V), All Other Pins Not Under Test = 0V	Address and Control Inputs		10	10
		DQ0-63, CB0 - 7		-4	+4
I _{O(L)}	Output Leakage Current (D _{OUT} is disabled, 0.0V ≤ V _{OUT} ≤ 3.6V)	DQ0-63, CB0 - 7		-4	+4
		SDA		-1	+1
V _{OH}	Output Level Output "H" Level Voltage (I _{OUT} = -2.0mA)	2.4	V _{DD}	V	1
V _{OL}	Output Level Output "L" Level Voltage (I _{OUT} = +2.0mA)	0.0	0.4		

1. See DC output load circuit.



Operating, Standby, and Refresh Currents ($T_A = 0$ to $+70^\circ\text{C}$, $V_{DD} = 3.3\text{V} \pm 0.3\text{V}$)

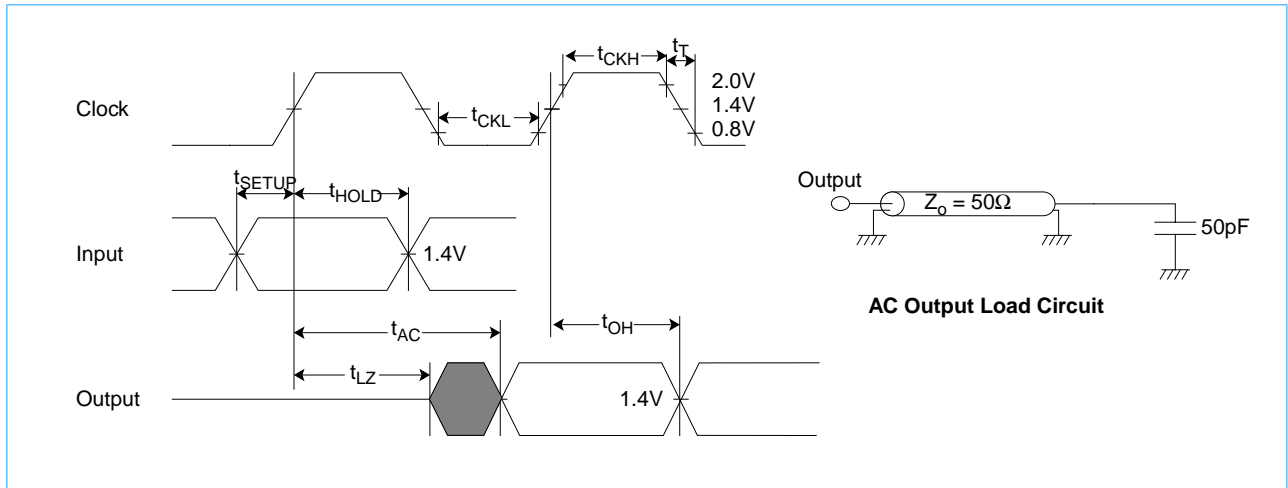
Parameter	Symbol	Test Condition	Speed		Units	Notes
			$f_{CK} = 100\text{Mhz}$ -260, -360	$f_{CK} = 66\text{Mhz}$ -260, -360		
Burst Operating Mode/Active Standby	I_{CC4}/I_{CC3N}	$\text{CKE} \geq V_{IH}(\text{min}), t_{CK} = \text{min}, \bar{S}0 - \bar{S}3 = V_{IH}(\text{min})$	2529	1707	mA	1, 2, 3
Burst Operating Mode/Precharge Standby	I_{CC4}/I_{CC2N}	$\text{CKE} \geq V_{IH}(\text{min}), t_{CK} = \text{min}, \bar{S}0 - \bar{S}3 = V_{IH}(\text{min})$	2439	1635	mA	1, 2, 3
Burst Operating Mode/Auto Refresh	I_{CC4}/I_{CC5}	$\text{CKE} \geq V_{IH}(\text{min}), t_{CK} = \text{min}, \bar{S}0 - \bar{S}3 = V_{IH}(\text{min})$	5357	3993	mA	1, 2, 3
Non-burst Operating Mode/Active Standby	I_{CC1}/I_{CC3N}	$\text{CKE} \geq V_{IH}(\text{min}), t_{CK} = \text{min}, \bar{S}0 - \bar{S}3 = V_{IH}(\text{min})$	2657	1959	mA	1, 2, 3
Non-burst Operating Mode/Precharge Standby	I_{CC1}/I_{CC2N}	$\text{CKE} \geq V_{IH}(\text{min}), t_{CK} = \text{min}, \bar{S}0 - \bar{S}3 = V_{IH}(\text{min})$	1865	1491	mA	1, 2, 3
Non-burst Operating Mode/Auto Refresh	I_{CC1}/I_{CC5}	$\text{CKE} \geq V_{IH}(\text{min}), t_{CK} = \text{min}, \bar{S}0 - \bar{S}3 = V_{IH}(\text{min})$	5177	4083	mA	1, 3
Active Standby/Active Standby	I_{CC3N}/I_{CC3N}	$\text{CKE} \geq V_{IH}(\text{min}), t_{CK} = \text{min}, \bar{S}0 - \bar{S}3 = V_{IH}(\text{min})$	1847	1275	mA	3
Active Standby/Precharge Standby	I_{CC3N}/I_{CC2N}	$\text{CKE} \geq V_{IH}(\text{min}), t_{CK} = \text{min}, \bar{S}0 - \bar{S}3 = V_{IH}(\text{min})$	1757	1203	mA	3
Active Standby/Auto Refresh	I_{CC3N}/I_{CC5}	$\text{CKE} \geq V_{IH}(\text{min}), t_{CK} = \text{min}, \bar{S}0 - \bar{S}3 = V_{IH}(\text{min})$	4457	3399	mA	1, 3
Precharge Standby/Precharge Standby	I_{CC2N}/I_{CC2N}	$\text{CKE} \geq V_{IH}(\text{min}), t_{CK} = \text{min}, \bar{S}0 - \bar{S}3 = V_{IH}(\text{min})$	1667	1131	mA	3
Precharge Standby/Auto Refresh	I_{CC2N}/I_{CC5}	$\text{CKE} \geq V_{IH}(\text{min}), t_{CK} = \text{min}, \bar{S}0 - \bar{S}3 = V_{IH}(\text{min})$	4367	3327	mA	1, 3
Auto Refresh/Auto Refresh	I_{CC5}/I_{CC5}	$\text{CKE} \geq V_{IH}(\text{min}), t_{CK} = \text{min}, \bar{S}0 - \bar{S}3\bar{S}0 - \bar{S}3$	6849	5361	mA	1, 3
Active Standby Power Down/Active Standby Power Down	I_{CC3p}/I_{CC3p}	$\text{CKE} \leq V_{IL}(\text{max}), t_{CK} = \text{min}, \bar{S}0 - \bar{S}3 = V_{IH}(\text{min})$	767	663	mA	3
Active Standby Power Down/Precharge Standby Power Down	I_{CC3p}/I_{CC2p}	$\text{CKE} \leq V_{IL}(\text{max}), t_{CK} = \text{min}, \bar{S}0 - \bar{S}3 = V_{IH}(\text{min})$	605	501	mA	3
Precharge Standby Power Down/Precharge Standby Power Down	I_{CC2p}/I_{CC2p}	$\text{CKE} \leq V_{IL}(\text{max}), t_{CK} = \text{min}, \bar{S}0 - \bar{S}3 = V_{IH}(\text{min})$	443	339	mA	3
Precharge Standby Non-power Down/Precharge Standby Non-power Down (NO CLOCK)	I_{CC2NS}/I_{CC2NS}	$\text{CKE} \geq V_{IH}(\text{min}), t_{CK} = \text{Infinity}, \bar{S}0 - \bar{S}3 = V_{IH}(\text{min})$	395	395	mA	3
Precharge Standby Power Down/Precharge Standby Power Down (NO CLOCK)	I_{CC2PS}/I_{CC2PS}	$\text{CKE} \geq V_{IH}(\text{min}), t_{CK} = \text{Infinity}, \bar{S}0 - \bar{S}3 = V_{IH}(\text{min})$	71	71	mA	3
Self Refresh Current/ Self Refresh Current	I_{CC6}/I_{CC6}	$\text{CKE} \geq V_{IH}(\text{min}), t_{CK} = \text{Infinity}, \bar{S}0 - \bar{S}3 = V_{IH}(\text{min})$	107	107	mA	3

1. Input signals are changed once during $t_{CK}(\text{min})$. $t_{CK}(\text{min}) = 10\text{ns}$ for -260, -360;
2. The specified values are obtained with the output open.
3. These parameters and symbols refer to a combination of physical bank 0/physical bank 1.

AC Characteristics. ($T_A = 0$ to $+70^\circ\text{C}$, $V_{DD} = 3.3\text{V} \pm 0.3\text{V}$)

1. An initial pause of $200\mu\text{s}$, with CKE0 held high, is required after power-up. A Precharge All Banks command must be given followed by a minimum of eight Auto (CBR) Refresh cycles before or after the Mode Register Set operation.
2. AC timing tests have $V_{IL} = 0.8\text{V}$ and $V_{IH} = 2.0\text{V}$ with the timing referenced to the 1.40V crossover point.
3. The Transition time is measured between V_{IH} and V_{IL} (or between V_{IL} and V_{IH}).
4. AC measurements assume $t_T = 1.2\text{ns}$ (1 Volt/ns rise time).
5. In addition to meeting the transition rate specification, the clock and CKE must transit between V_{IH} and V_{IL} (or between V_{IL} and V_{IH}) in a monotonic manner.
6. A 1 ms stabilization time is required for the integrated PLL circuit to obtain phase lock of its feedback signal to its reference signal.

AC Characteristics Diagrams





Clock and Clock Enable Parameters

Symbol	Parameter		-260 (Device CL, t_{RCD} , t_{RP} = 2, 2, 2)		-360 (Device CL, t_{RCD} , t_{RP} = 3, 2, 2)		Units	Notes
			Min.	Max.	Min.	Max.		
t_{CK4}	Clock Cycle Time, DIMM \overline{CAS} Latency = 4	Registered	10	1000	10	1000	ns	1
t_{CK3}	Clock Cycle Time, DIMM \overline{CAS} Latency = 3	Registered	10	1000	15	1000	ns	1
		Buffered	10	1000	10	1000	ns	
t_{CK2}	Clock Cycle Time, DIMM \overline{CAS} Latency = 2	Buffered	10	1000	15	1000	ns	1
t_{AC4}	Clock Access Time, DIMM \overline{CAS} Latency = 4	Registered	—	7.2	—	7.2	ns	1, 2
t_{AC3}	Clock Access Time, DIMM \overline{CAS} Latency = 3	Registered	—	7.2	—	10.2	ns	1, 2
		Buffered	—	7.2	—	7.2	ns	
t_{AC2}	Clock Access Time, DIMM \overline{CAS} Latency = 2	Buffered	—	7.2	—	10.2	ns	1, 2
t_{CKH}	Clock High Pulse Width		3	—	3	—	ns	3
t_{CKL}	Clock Low Pulse Width		3	—	3	—	ns	3
t_{CES}	Clock Enable Setup Time	Registered	2.1	—	2.1	—	ns	1
		Buffered	7.4	—	7.4	—	ns	
t_{CEH}	Clock Enable Hold Time	Registered	1.5	—	1.5	—	ns	1
		Buffered	0	—	0	—	ns	
t_{SB}	Power Down Mode Entry Time		0	10	0	10	ns	
t_T	Transition Time (Rise and Fall)		0.5	10	0.5	10	ns	

1. DIMM \overline{CAS} latency = device CL [clock cycles] + 1 for Register mode; DIMM \overline{CAS} latency is one clock less for Buffer mode.
2. Access time is measured at 1.4V. See AC output load circuit.
3. t_{CKH} is the pulse width of CLK measured from the positive edge to the negative edge referenced to V_{IH} (min). t_{CKL} is the pulse width of CLK measured from the negative edge to the positive edge referenced to V_{IL} (max).



Common Parameters

Symbol	Parameter	-260		-360		Units	Notes	
		Min.	Max.	Min.	Max.			
t _{CS}	Command Setup Time	Registered	2.0		2.0	ns	1	
		Buffered	7.4		7.4	ns		
t _{CH}	Command Hold Time	Registered	1.1		1.1	ns	1	
		Buffered	0.0		0.0	ns		
t _{AS}	Address and Bank Select Setup Time	Registered	2.0		2.0	ns	1	
		Buffered	7.4		7.4	ns		
t _{AH}	Address and Bank Select Hold Time	Registered	1.5		1.0	ns	1	
		Buffered	0.0		0.0	ns		
t _{RCD}	$\overline{\text{RAS}}$ to $\overline{\text{CAS}}$ Delay		2.0		2.0	ns	2	
t _{RC}	Bank Cycle Time		70		70	ns	2	
t _{RAS}	Active Command Period		50	100000	50	100000	ns	2
t _{RP}	Precharge Time		20		20	ns	2	
t _{RRD}	Bank to Bank Delay Time		20		20	ns	2	
t _{CCD}	$\overline{\text{CAS}}$ to $\overline{\text{CAS}}$ Delay Time (Same Bank)		1		1	CLK		

1. The set up and hold times refer to the addition of the register. Note that although the Buffered set up times appear much greater, there is no additional clock cycle as there is in Registered mode.
2. These parameters account for the number of clock cycles and depend on the operating frequency of the clock as follows: the number of clock cycles = specified value of timing/clock period (count fractions as a whole number).

Mode Register Set Cycle

Symbol	Parameter	-260		-360		Units	Notes
		Min.	Max.	Min.	Max.		
t _{RSC}	Mode Register Set Cycle Time		20		—	ns	1

1. These parameters account for the number of clock cycles and depend on the operating frequency of the clock as follows: the number of clock cycles = specified value of timing/clock period (count fractions as a whole number).

Refresh Cycle

Symbol	Parameter	-260		-360		Units	Notes
		Min.	Max.	Min.	Max.		
t _{REF}	Refresh Period		—		64	ms	1

1. 4096 cycles.



Read Cycle

Symbol	Parameter	-260		-360		Units	Notes
		Min.	Max.	Min.	Max.		
t _{OH}	Data Out Hold Time	3.6		3.6		ns	
t _{LZ}	Data Out to Low Impedance Time	0.6		0.6		ns	
t _{HZ3}	Data Out to High Impedance Time	3.5	6.7	3.5	6.7	ns	1
t _{HZ2}	Data Out to High Impedance Time	3.5	6.7	3.5	6.7	ns	
t _{DQZ}	DQM Data Out Disable Latency	Registered	3		3	CLK	
		Buffered	2		2	CLK	

1. Referenced to the time at which the output achieves the open circuit condition, not to output voltage levels.

Write Cycle

Symbol	Parameter	-260		-360		Units	
		Min.	Max.	Min.	Max.		
t _{DS}	Data In Setup Time	2.1	—	2.1	—	ns	
t _{DH}	Data In Hold Time	1.6	—	1.6	—	ns	
t _{DPL}	Data input to Precharge	Registered	10	—	10	—	ns
		Buffered	20	—	20	—	ns
t _{DAL3}	Data input to Active, CL = 3	Registered	4	—	4	—	CLK
		Buffered	5	—	5	—	CLK
t _{DAL2}	Data input to Active CL = 2	Registered	4	—	4	—	CLK
		Buffered	5	—	5	—	CLK
t _{DQW}	DQM Write Mask Latency	Registered	1	—	1	—	CLK
		Buffered	0	—	0	—	CLK

Presence Detect Read and Write Cycle

Symbol	Parameter	Min.	Max.	Units	Notes
f_{SCL}	SCL Clock Frequency		100	KHz	
T_I	Noise Suppression Time Constant at SCL, SDA Inputs		100	ns	
t_{AA}	SCL Low to SDA Data Out Valid	0.3	3.5	μ s	
t_{BUF}	Time the Bus Must Be Free before a New Transmission Can Start	4.7		μ s	
$t_{HD:STA}$	Start Condition Hold Time	4.0		μ s	
t_{LOW}	Clock Low Period	4.7		μ s	
t_{HIGH}	Clock High Period	4.0		μ s	
$t_{SU:STA}$	Start Condition Setup Time (for a Repeated Start Condition)	4.7		μ s	
$t_{HD:DAT}$	Data in Hold Time	0		μ s	
$t_{SU:DAT}$	Data in Setup Time	250		ns	
t_r	SDA and SCL Rise Time		1	μ s	
t_f	SDA and SCL Fall Time		300	ns	
$t_{SU:STO}$	Stop Condition Setup Time	4.7		μ s	
t_{DH}	Data Out Hold Time	300		ns	
t_{WR}	Write Cycle Time		15	ms	1

1. The write cycle time (t_{WR}) is the time from a valid stop condition of a write sequence to the end of the internal erase/program cycle. During the write cycle, the bus interface circuits are disabled, SDA is allowed to remain high per the bus-level pull-up resistor, and the device does not respond to its slave address.

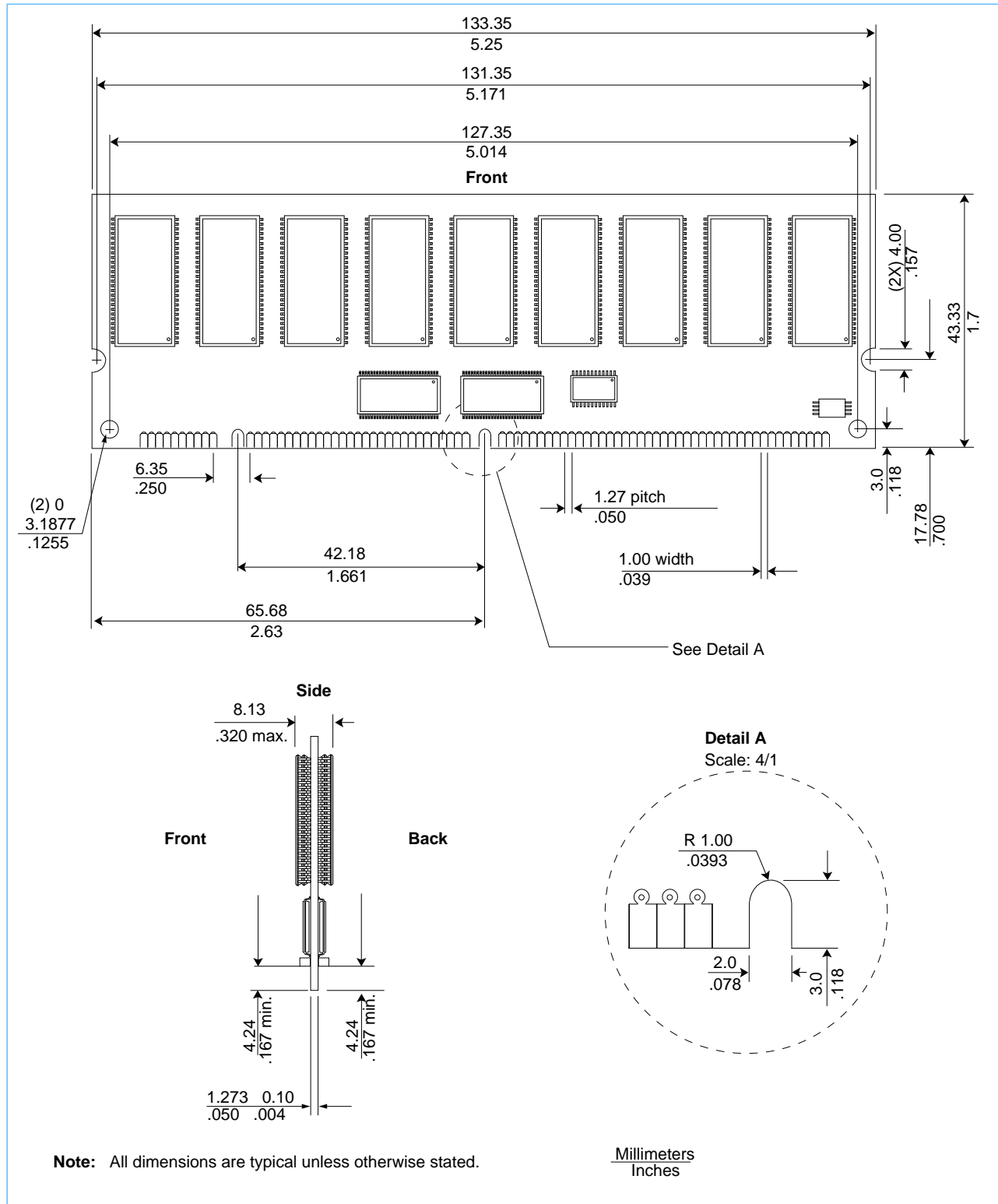
Functional Description and Timing Diagrams

Refer to the IBM 128Mb Synchronous DRAM Die Revision A datasheet (Document 33L8019) for the functional description and timing diagrams for Buffered mode operation.

Refer to the IBM Application Notes *Serial Presence Detect on Memory DIMMs* and *SDRAM Presence Detect Definitions* for the Serial Presence Detect functional description and timings.



Layout Drawing





Revision Log

Rev	Contents of Modification
7/99	Initial release.
8/99	Removed Preliminary
10/99	Made minor corrections.



© Copyright International Business Machines Corporation 1999

All Rights Reserved

Printed in the United States of America October 1999

The following are trademarks of International Business Machines Corporation in the United States, or other countries, or both.

IBM IBM Logo

Other company, product and service names may be trademarks or service marks of others.

All information contained in this document is subject to change without notice. The products described in this document are NOT intended for use in implantation or other life support applications where malfunction may result in injury or death to persons. The information contained in this document does not affect or change IBM product specifications or warranties. Nothing in this document shall operate as an express or implied license or indemnity under the intellectual property rights of IBM or third parties. All information contained in this document was obtained in specific environments, and is presented as an illustration. The results obtained in other operating environments may vary.

THE INFORMATION CONTAINED IN THIS DOCUMENT IS PROVIDED ON AN "AS IS" BASIS. In no event will IBM be liable for damages arising directly or indirectly from any use of the information contained in this document.

IBM Microelectronics Division
1580 Route 52, Bldg. 504
Hopewell Junction,
NY 12533-6351

The IBM home page can be found at
<http://www.ibm.com>

The IBM Microelectronics Division home page
can be found at <http://www.chips.ibm.com>

09K3884.F38744
10/99