

FEATURES AND SPECIFICATIONS

Features and Benefits

- Sizes 2 to 12 circuits
- With locking ramp

Reference Information

Packaging: Bag

UL File No.: E29179

CSA File No.: LR19980

Mates With: 5271-NA, 5272-NA, 5273-NA, 5274-NA,

5096-NC and 53405 headers

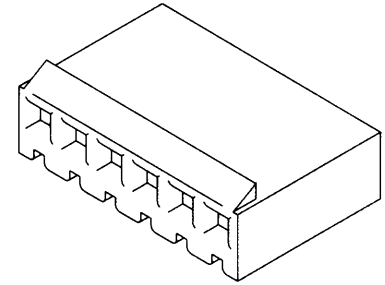
Use With: 2478, 5167, 2578 and 5168

Designed In: Millimeters



3.96mm (.156") Pitch KK[®] Crimp Terminal Housing

5239-N



Electrical

Voltage: 250V

Current: 7.0A

Contact Resistance: 10mΩ max.

Dielectric Withstanding Voltage: 1500V AC/1 min.

Insulation Resistance: 1000 MΩ min.

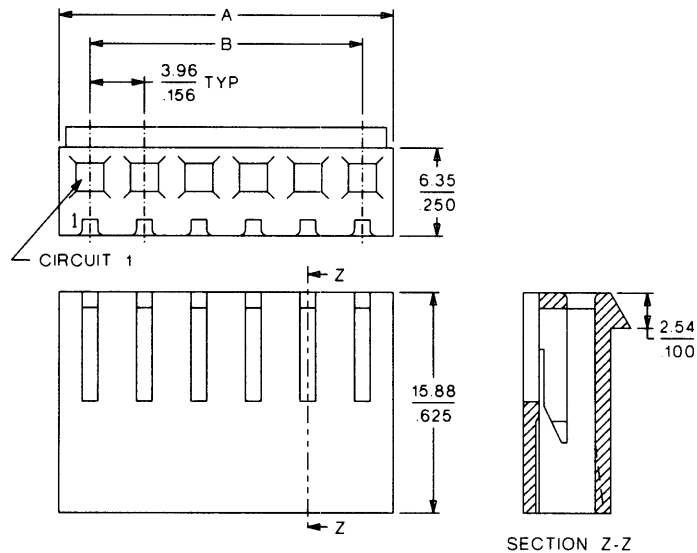
Physical

Housing: 6/6 nylon, UL 94V-2

Operating Temperature: -40 to +105°C

3.00 to 7.92mm (.118 to .312") Pitch

CATALOG DRAWING (FOR REFERENCE ONLY)



ORDERING INFORMATION AND DIMENSIONS

Circuits	Order No.	Dimension	
		A	B
2	09-52-4024	8.61 (.339)	3.96 (.156)
3	09-52-4034	12.57 (.495)	7.92 (.312)
4	09-52-4044	16.53 (.651)	11.88 (.468)
5	09-52-4054	20.49 (.807)	15.84 (.624)
6	09-52-4064	24.45 (.963)	19.80 (.780)
7	09-52-4074	28.41 (1.119)	23.76 (.935)
8	09-52-4084	32.37 (1.274)	27.72 (1.091)
9	09-52-4094	36.33 (1.430)	31.68 (1.247)
10	09-52-4104	40.29 (1.586)	35.64 (1.403)
11	09-52-4114	44.25 (1.742)	39.60 (1.559)
12	09-52-4124	48.21 (1.898)	43.56 (1.715)