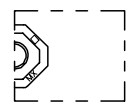
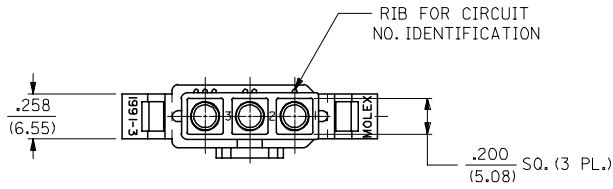


13 12 11 10 9 8 7 6 5 4 3 2 1

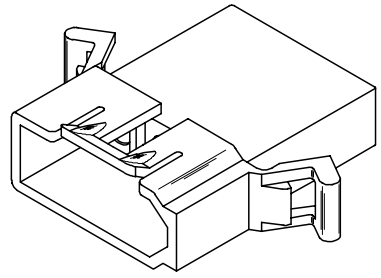
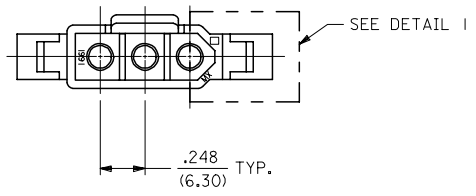
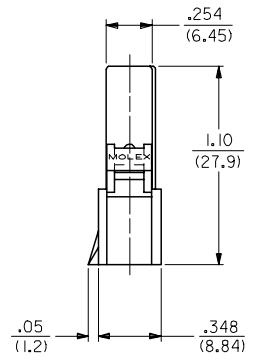
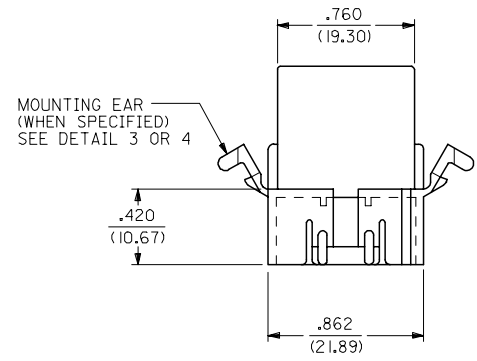
J
I
H
G
F
E
D
C
B
A

J
I
H
G
F
E
D
C
B
A



PT. NO. (19-09-2033)
ENG. NO. 1991-3P4
PLUG WITHOUT MTG. EARS AND
WITHOUT SQUARE ENDS.
FOR USE WITH 2687 CONNECTOR

DETAIL 1



PLUG HOUSING

3	X
2	X
1	X

UPDATE TITLE BLOCK FC NO: UCP2007-1498 DRWN: AELHAG 2007/04/04 CHKD: AELHAG 2007/04/04 APPR: FSM TH 2007/04/04 REVISIONS X	QUALITY SYMBOLS 	GENERAL TOLERANCES (UNLESS SPECIFIED)		DIMENSION STYLE IN/MM	SCALE 2:1	DESIGN UNITS INCH	THIRD ANGLE PROJECTION		
		4 PLACES ± .005 3 PLACES ± .005 2 PLACES ± 0.13 ± .010 1 PLACE ± 0.25 ± .010	DRAWN BY GEP	DATE 1988/03/07	TITLE .093/(2.36) HOUSINGS, PLUG AND RECEPTACLE, 3 CKT, .248/(6.30) CTRS				
		ANGULAR ± 1 °	CHECKED BY RW	DATE 1988/03/07	MATERIAL NO. RAS				
		DRAFT WHERE APPLICABLE MUST REMAIN WITHIN DIMENSIONS	APPROVED BY RAS	DATE 1988/03/07	SEE CHART		DOCUMENT NO. SD-1991-3*	SHEET NO. 1 OF 3	

12 11 10 9 8 7 6 5 4 3 2 1

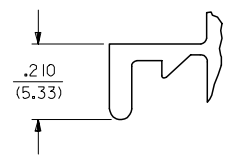
13 12 11 10 9 8 7 6 5 4 3 2 1

PLUG		
PART NO.	ENG. NO.	PKG. INFORMATION
I9-09-2031	I991-3P	PK-1991-001
I9-09-7031	I991-3PBK	PK-1991-001
I9-09-7032	I991-3PIBK	PK-1991-001
I9-09-2033	I991-3P4	OBS.
I9-09-2032	I991-3PI	PK-1991-002
I9-09-7034	I991-3PIOR	PK-1991-001

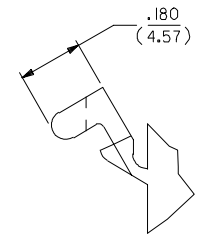
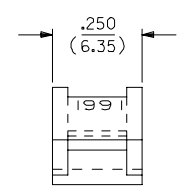
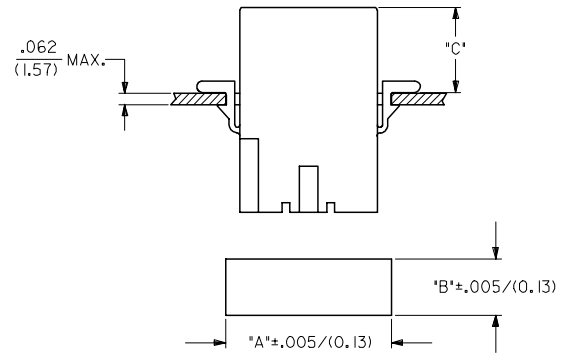
RECEPTACLE		
PART NO.	ENG. NO.	PKG. INFORMATION
I9-09-1032	I991-3R1	PK-1991-001
I9-09-6031	I991-3RBK	PK-1991-001
I9-09-6032	I991-3RIBK	PK-1991-001
I9-09-1030	I991-3R5	OBS.

LEGEND:

1991-3****
 CIRCUIT SIZE
 P = PLUG
 R = RECEPTACLE
 BLANK = PLUG; WITH PREBENT EARS PER DETAIL 4
 1 = WITHOUT EARS
 4 = WITHOUT EARS, WITHOUT SQUARE ENDS PER DETAIL 1
 5 = RECEPT; WITH PREBENT EARS, PER DETAIL 4
 COLOR: BLANK=NATURAL COLOR
 AM=AMBER BK=BLACK BU=BLUE
 BN=BROWN CY=GRAY GN=GREEN
 OR=ORANGE RD=RED YW=YELLOW



DETAIL 3
STANDARD MOUNTING EAR
(SCALE 4:1)



DETAIL 4
PREBENT MOUNTING EAR
(SCALE 4:1)

HOUSING	DIM. "A"	DIM. "B"	DIM. "C" STD. EAR	DIM. "C" PREBENT
PLUG	.1022/(25.96)	.365/(9.27)	.48/(12.2)	.52/(13.2)
RECEPTACLE	.920/(23.37)	.311/(7.90)	.47/(11.9)	.51/(12.9)

NOTES:

- MATERIAL: NYLON TYPE 6/6. 94V-2.
- FINISH: NOT APPLICABLE
- PRODUCT SPECIFICATION: PS-02-09
- PACKAGING SPECIFICATION: SEE CHART
- ACCEPTS MOLEX .093/(2.36) SERIES TERMINALS.
- VERSION FOR USE WITH 2687 CONNECTOR.
- PARTS CONFORM TO CLASS B REQUIREMENTS OF COSMETIC SPECIFICATION PS-45499-002.

ADD NOTES 2,3,4, & 7 EC NO: UCP2007-1498 DRW: AELHAG 2007/04/04 CHKD: AELHAG 2007/04/04 APPR: FSM TH 2007/04/04 REVISIONS	QUALITY SYMBOLS ▽=0 ▽=0	GENERAL TOLERANCES (UNLESS SPECIFIED) <table border="1"> <tr> <th></th> <th>mm</th> <th>INCH</th> </tr> <tr> <td>4 PLACES</td> <td>± .10</td> <td>± .004</td> </tr> <tr> <td>3 PLACES</td> <td>± .15</td> <td>± .006</td> </tr> <tr> <td>2 PLACES</td> <td>± .25</td> <td>± .010</td> </tr> <tr> <td>1 PLACE</td> <td>± 0.35</td> <td>± .014</td> </tr> </table>		mm	INCH	4 PLACES	± .10	± .004	3 PLACES	± .15	± .006	2 PLACES	± .25	± .010	1 PLACE	± 0.35	± .014	DIMENSION STYLE IN/MM	SCALE 2:1 DESIGN UNITS INCH	THIRD ANGLE PROJECTION
		mm	INCH																	
4 PLACES	± .10	± .004																		
3 PLACES	± .15	± .006																		
2 PLACES	± .25	± .010																		
1 PLACE	± 0.35	± .014																		
DRAWN BY GEP DATE 1988/03/07 CHECKED BY RW DATE 1988/03/07 APPROVED BY RAS DATE 1988/03/07 MATERIAL NO. SD-1991-3* DOCUMENT NO. SD-1991-3* SHEET NO. 3 OF 3	.093/(2.36) HOUSINGS, PLUG AND RECEPTACLE, 3 CKT, .248/(6.30) CTRS. MOLEX INCORPORATED																			
DRAFT WHERE APPLICABLE MUST REMAIN WITHIN DIMENSIONS		SEE CHART		THIS DRAWING CONTAINS INFORMATION THAT IS PROPRIETARY TO MOLEX INCORPORATED AND SHOULD NOT BE USED WITHOUT WRITTEN PERMISSION																

12 11 10 9 8 7 6 5 4 3 2 1