

FEATURES AND SPECIFICATIONS

Features and Benefits

- Wire-to-wire plug for panel-mounted or free-hanging applications
- Positive housing locks to mate with Mini-Fit, Jr. receptacle
- Fully isolated terminals to protect contacts from damage
- Uses standard Mini-Fit series terminals

Reference Information

Product Specification: PS-5556-0001
 Packaging: Tray or bag
 UL File No.: E29179
 CSA File No.: LR19980
 TUV License No.: R75142
 Mates With: 5557 dual row receptacle
 Use With: 5558, 30490 or 44478 terminals
 Designed In: Millimeters

Mechanical

Contact Insertion Force: 1.5kg max.
 Contact Retention to Housing: 3.0kg min.
 Wire Pull-Out Force: 9.0kg min.
 Insertion Force to PCB: 5.0kg max.
 Mating Force: 0.7kg (1.54 lb) max.
 Unmating Force: 0.35kg (0.7 lb) min.
 Normal Force: 200g min.
 Durability: 30 cycles

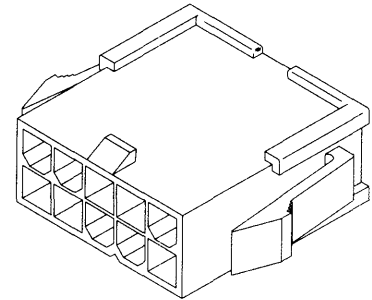
Physical

Housing: 6/6 nylon, UL 94V-2 or 94V-0
 Operating Temperature: -40 to +105°C

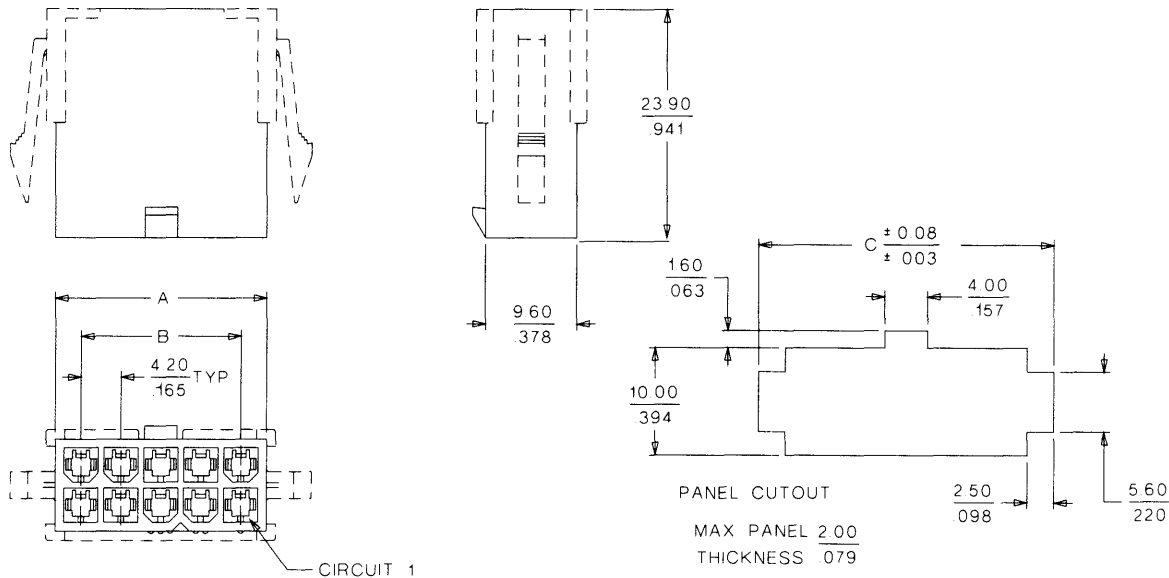
molex® 4.20mm (.165") Pitch Mini-Fit, Jr.™ Plug

5559

Dual Row With and without Panel Mount Ears



CATALOG DRAWING (FOR REFERENCE ONLY)



ORDERING INFORMATION AND DIMENSIONS

Circuits	Order No.				Dimension		
	Panel Mount		Free Hanging		A	B	C
	94V-2	94V-0	94V-2	94V-0			
2	• 39-01-2021	• 39-01-2026	• 39-01-3023	• 39-01-3029	5.40 (.213)		10.80 (.425)
4	• 39-01-2041	• 39-01-2046	• 39-01-3043	• 39-01-3049	9.60 (.378)	4.20 (.165)	15.00 (.591)
6	• 39-01-2061	• 39-01-2066	• 39-01-3063	• 39-01-3069	13.80 (.543)	8.40 (.331)	19.20 (.756)
8	• 39-01-2081	• 39-01-2086	• 39-01-3083	• 39-01-3089	18.00 (.709)	12.60 (.496)	23.40 (.921)
10	• 39-01-2101	• 39-01-2106	• 39-01-3103	• 39-01-3109	22.20 (.874)	16.80 (.661)	27.60 (1.087)
12	• 39-01-2121	• 39-01-2126			26.40 (1.039)	21.00 (.827)	31.80 (1.252)
14	• 39-01-2141	• 39-01-2146	• 39-01-3143	• 39-01-3149	30.60 (1.205)	25.20 (.992)	36.00 (1.417)
16	• 39-01-2161	• 39-01-2166	• 39-01-3163	• 39-01-3169	34.80 (1.370)	29.40 (1.158)	40.20 (1.583)
18	• 39-01-2181				39.00 (1.535)	33.60 (1.323)	44.40 (1.748)
20	• 39-01-2201				43.20 (1.701)	37.80 (1.488)	48.60 (1.913)
22	• 39-01-2221				47.40 (1.866)	42.00 (1.654)	52.80 (2.079)
24	• 39-01-2241				51.60 (2.031)	46.20 (1.819)	57.00 (2.244)

• US Standard Product, available through Molex franchised distributors