

PRINCIPAL SPECIFICATIONS

Model Number	RF/LO Frequency f_0 , GHz	\dagger I/Q Output Bandwidth MHz
IQF-20L-****B	3 to 6	DC - 150

For complete Model Number replace **** with desired LO Center Frequency in MHz

GENERAL SPECIFICATIONS

RF/LO Input Characteristics

\dagger RF Bandwidth:	10% of f_0
Impedance:	50 Ω nom.
VSWR:	2.0:1 max.
RF Power Level:	0 dBm max.
LO Power Level @ f_0 :	+10 dBm nom.

I & Q Output Characteristics

Output Impedance:	50 Ω nom.
-------------------	------------------

Conversion Loss

(RF to I or Q):	8 dB typ., 12 dB max.
-----------------	-----------------------

IF Quadrature Bal., (I to Q), @ 100 kHz IF

Phase (LO= f_0):	$\pm 2^\circ$ nom., $\pm 3^\circ$ max.
Phase (LO= $f_0 \pm 5\%$):	$\pm 2^\circ$ nom., $\pm 5^\circ$ max.
Ampl. LO= f_0 :	0.3 dB max.
Ampl. (LO= $f_0 \pm 5\%$):	0.5 dB max.

Weight, nominal: 0.55 oz (15.4 g)

Operating Temp: -55° to $+85^\circ\text{C}$

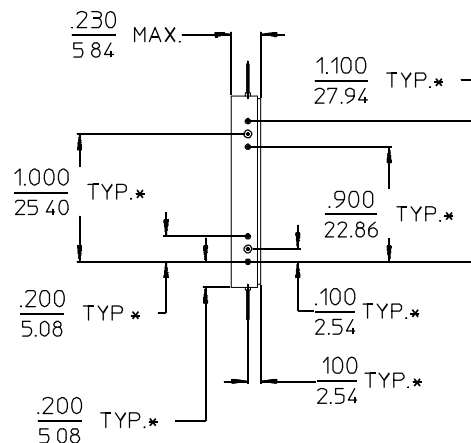
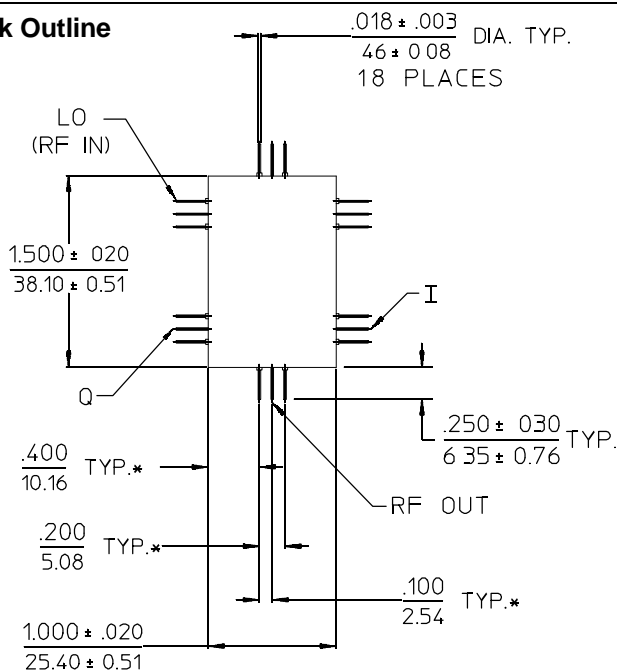
\dagger RF and Video Bandwidths are typically much greater than specified.

General Notes:

- I & Q networks are integrated devices that produce two quadrature-phased, equal amplitude signals when fed RF and LO signals.
- Comprised of standard components, these units are optimized for high accuracy at a specified LO frequency and maintain specified performance across a bandwidth of 10% of the LO frequency.
- I & Q networks can also be used in digital systems as a QPSK demodulator where it recovers two data channels from the incoming phase information. The QPSK input is applied to the RF port while the recovered carrier is applied to the LO port resulting in the two independent data outputs at the I and Q data ports.
- Merrimac I & Q networks comply with the relevant sections of MIL-M-28837 and can be supplied screened for compliance with additional specifications for military and space applications requiring the highest reliability.

www.DataSheet4U.com

L- Flatpack Outline



NOTES:

- Tolerance on 3 place decimals $\pm .010$ (.25) except as noted.
- Dimensions in inches over millimeters.
- Lead dimensions apply only at body.
- All unmarked pins are case ground.

23Feb96