

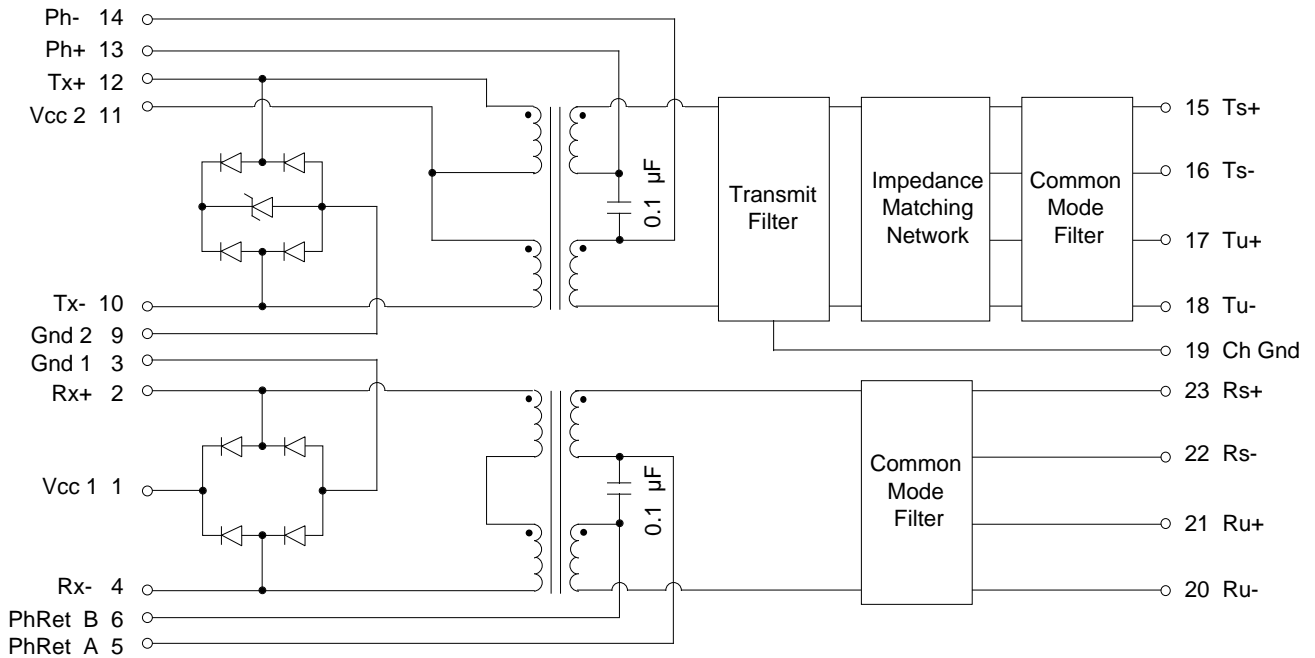
4/16 Mbps Token Ring 24 Pin Module for Transmit and Receive

- Features**
- Supports both STP and UTP Transmission
 - Complies with IEEE 802.5 Specifications
- Overvoltage Protection Circuit

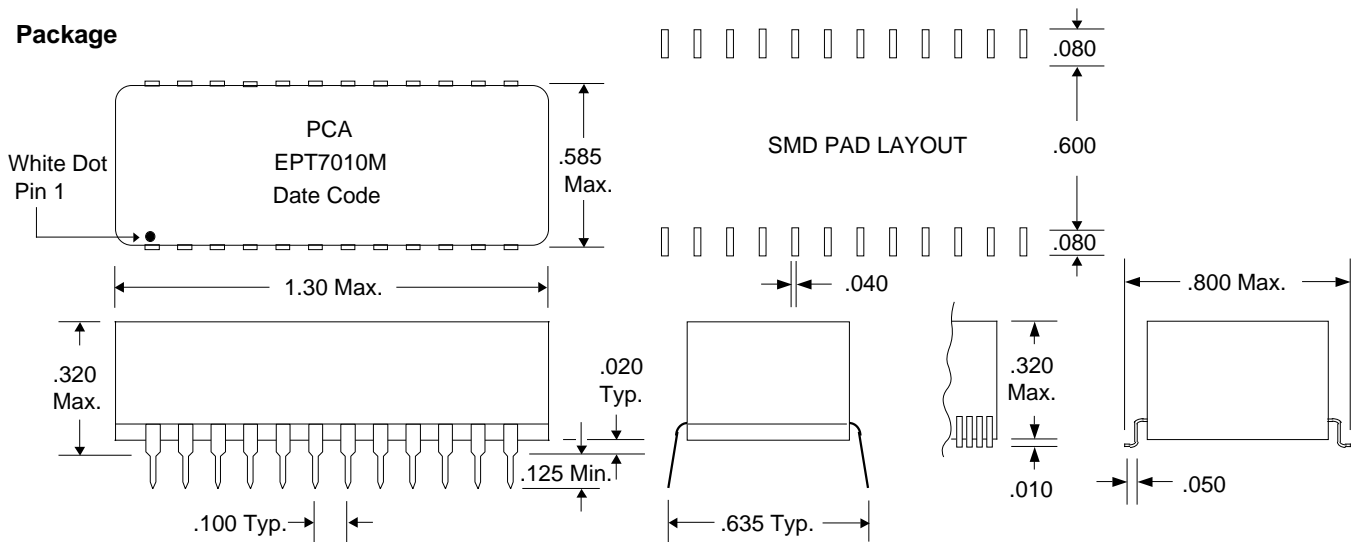
Electrical Specifications @ 25°C

PCA Part Number(s)		EPT7010M & EPT7010MG						
Characteristic Impedance		150						
Insertion Loss	8 MHz	16 MHz	32 MHz	36 MHz	Return Loss	1-17 MHz	17-25 MHz	
	Transmit	-0.5 dB Max.	-0.8 dB Max.	-0.7 dB Max.		-0.30 dB Min.	Transmit	-15 dB Min.
Insertion Loss	8 MHz	16 MHz	24 MHz		Return Loss	1-17 MHz	17-25 MHz	
	Receive	-0.5 dB Max.	-0.5 dB Max.	-0.5 dB Max.		Receive	-20 dB Min.	-15 dB Min.
Common to Common Rejection	20 MHz	100 MHz	200 MHz		Crosstalk	8 MHz	10 MHz	32 MHz
	Transmit	-70 dB Min.	-45 dB Min.	-42 dB Min.		Transmit	-80 dB Typ.	-75 dB Typ.

Schematic



Package



Leads : .018 Typ. x .008/.012

DST7010 Rev. A 1/16/95

Unless Otherwise Noted Dimensions in Inches

Tolerances:
 Fractional = ± 1/32
 .XX = ± .030 .XXX = ± .010



QAF-CS07 8/10/94

16799 SCHOENBORN ST.
 NORTH HILLS, CA 91343
 TEL: (818) 892-0761
 FAX: (818) 894-5791