



FEATURES AND SPECIFICATIONS

Features and Benefits

- 2 to 24 circuits
- High reliability dual beam female contact provides repeatable, gas-tight connection
- Plug & header positive latching system prevents plug movement, freeing hands for easy termination
- Polarizing feature eliminates potential mis-mating and facilitates blind-mating

Electrical

Voltage: 300V
 Maximum Current: 10 Amp
 Insulation Resistance: >5000 Megaohms

Mechanical

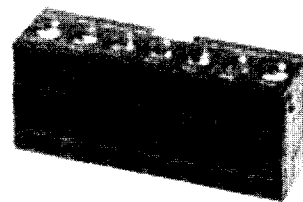
Rec. Tightening Torque: 4 in. lbs. .45 Nm
 Operating Temperature: 140°C
 Wire Strip Length: 1/4" or 6mm

Physical

Housing: Polyimide 6/6 .6 UL94V-0, Black
 Pressure Clamp: Brass
 Pressure Clamp Plating: Nickel
 Contacts: Phosphor Bronze
 Contact Plating: Tin (optional gold)
 Screws: 3mm Steel
 Screw Plating: Zinc chromate
 Wire Range: 12 to 24 AWG, 2.5 to 0.2mm²

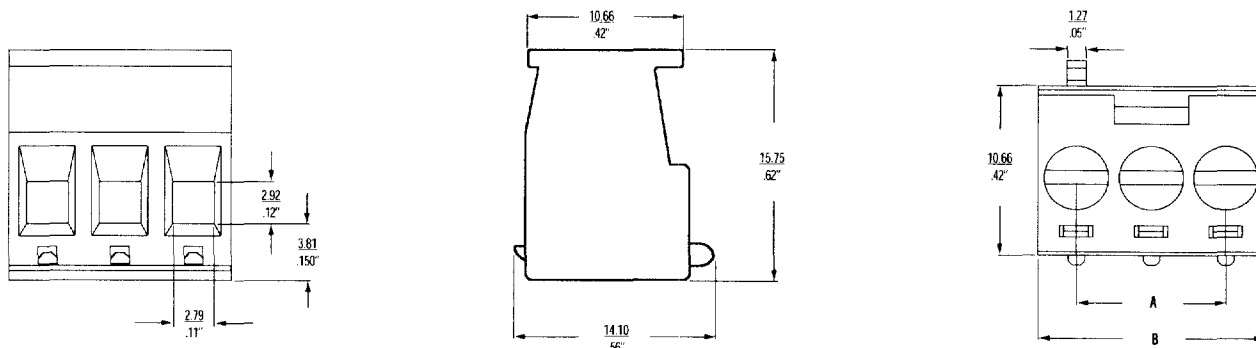
5.08mm (.200") Pitch
 Beau Eurostyle®
 Plug Terminal Block

39980, 39981
 Screw Clamp



98 Series

CATALOG DRAWING (FOR REFERENCE ONLY)



ORDERING INFORMATION AND DIMENSIONS

Part Numbers *				# of Circuits	Dimensions			
Tin Plated		Gold Plated			A		B	
Order #	Engineering #	Order #	Engineering #	in	mm	in	mm	
39980-0302	980902	39981-0302	980902-G30	2	.20	5.08	.418	10.62
39980-0303	980903	39981-0303	980903-G30	3	.40	10.16	.618	15.70
39980-0304	980904	39981-0304	980904-G30	4	.60	15.24	.818	20.78
39980-0305	980905	39981-0305	980905-G30	5	.80	20.32	1.018	25.86
39980-0306	980906	39981-0306	980906-G30	6	1.00	25.40	1.218	30.94
39980-0307	980907	39981-0307	980907-G30	7	1.20	30.48	1.418	36.02
39980-0308	980908	39981-0308	980908-G30	8	1.40	35.56	1.618	41.10
39980-0309	980909	39981-0309	980909-G30	9	1.60	40.64	1.818	46.18
39980-0310	980910	39981-0310	980910-G30	10	1.80	46.18	2.018	51.26
39980-0311	980911	39981-0311	980911-G30	11	2.00	50.20	2.218	56.34
39980-0312	980912	39981-0312	980912-G30	12	2.20	55.88	2.418	61.42
39980-0313	980913	39981-0313	980913-G30	13	2.40	60.96	2.618	66.50
39980-0314	980914	39981-0314	980914-G30	14	2.60	66.04	2.818	71.58
39980-0315	980815	39981-0315	980915-G30	15	2.80	71.12	3.018	76.66
39980-0316	980916	39981-0316	980916-G30	16	3.00	76.20	3.218	81.74
39980-0317	980917	39981-0317	980917-G30	17	3.20	81.28	3.418	86.82
39980-0318	980918	39981-0318	980918-G30	18	3.40	86.36	3.618	91.90
39980-0319	980919	39981-0319	980919-G30	19	3.60	91.44	3.818	96.98
39980-0320	980920	39981-0320	980920-G30	20	3.80	96.52	4.018	102.06
39980-0321	980921	39981-0321	980921-G30	21	4.00	101.60	4.218	107.14
39980-0322	980922	39981-0322	980922-G30	22	4.20	106.68	4.418	112.22
39980-0323	980923	39981-0323	983023-G30	23	4.40	111.76	4.618	117.30
39980-0324	980924	39981-0324	983024-G30	24	4.60	116.84	4.818	122.38

* Consult factory for imprinting and special options