

# **F75363 Datasheet**

---

**±1°C Accuracy Temperature Sensor IC with Fan Speed Control**

**Release Date: July, 2007**

**Revision: V0.27P**

**F75363 Datasheet Revision History**

Version	Date	Page	Revision History
0.20P	Jan.,2005		Original version (Confidential)
0.21P	Feb.,2005	16	1. Update ARA register/Index FDh 2. Update Vendor ID(Manufacture ID) Register/Index FEh 3. Add version ID Register/Index FFh
0.22P	May.,2005	11 15 16	1. Update Alert Mask Register default value 2. Update version ID Register/Index FFh 3. Update T1 HIGH LIMIT default value
0.23P			Updated typo and patent
0.24P	July, 2006	12 13	1. Alert mask register1, Index 16h correction 2. Alert mask register2, Index 17h correction 3. PWM control and fan monitor register, Index 4Ah correction
0.25P	Dec, 2006	1	Add Taiwan patent certification number
0.26P	Jan, 2007	14	Register-0x4C description correction
0.27P	July,2007	-	Company readdress

Please note that all data and specifications are subject to change without notice. All the trade marks of products and companies mentioned in this data sheet belong to their respective owners.

**LIFE SUPPORT APPLICATIONS**

These products are not designed for use in life support appliances, devices, or systems where malfunction of these products can reasonably be expected to result in personal injury. Customers using or selling these products for use in such applications do so at their own risk and agree to fully indemnify Fintek for any damages resulting from such improper use or sales.

## Table of Contents

1.	General Description .....	1
2.	Features.....	1
3.	Key Specifications.....	2
4.	Pin Configuration .....	2
5.	Pin Descriptions.....	2
6.	Functional Description .....	3
6.1	General Description .....	3
6.2	Access Interface .....	3
6.3	Typical Operating Characteristics .....	4
6.4	Temperature Monitoring.....	6
6.4	Alert# Signal .....	7
6.5	Temperature Fault Queue .....	9
7.	Registers Description.....	9
7.1	Configuration Register — Index 03h (09h).....	9
7.2	Status Register — Index 02h.....	10
7.3	Status Register — Index 18h.....	10
7.4	Real-Time Status Register — Index 2Eh.....	11
7.5	Conversion Rate Register — Index 04h (0Ah).....	11
7.6	Serial Interface Timeout Register — Index 22h.....	11
7.7	ALERT MASK Register 1 — Index 16h.....	11
7.8	ALERT MASK Register 2 — Index 17h.....	12
7.9	PWM Control Register — Index 30h.....	12
7.10	FINTEK PWM Control Register — Index 31h (Fintek Mode).....	13
7.11	PWM Control and Fan Monitor Register— Index 4Ah.....	13
7.12	Fan Spin-Up Configuration Register — Index 4Bh.....	14
7.13	PWM Value Register — Index 4Ch.....	14
7.14	FAN PWM Frequency Register — Index 4Dh.....	14
7.15	Lookup Table Hysteresis Register — Index 4Fh.....	15
7.16	Temperature vs. PWM Duty Lookup Table Registers — Index 50h to 5Fh.....	15
7.17	ALERT Mode and Temperature Filter Control Register -- Index BFh.....	15
7.18	ARA Register --- Index FDh.....	15
7.19	Vendor ID II (Manufacturer ID) Register — Index FEh.....	15
7.20	Version ID Register — Index FFh.....	15

7.21	Temperature and Fan Count Value Registers— Index 10h- 2Fh .....	15
8.	PCB Layout Guide .....	16
9.	Electrical characteristic .....	17
9.1	Absolute Maximum Ratings .....	17
9.2	DC Characteristics .....	18
9.3	AC Characteristics .....	19
10.	Ordering Information .....	19
11.	Package Dimensions .....	20
10	Application Circuit .....	1

Do Not Copy  
Fintek Confidential

## 1. General Description

The F75363 is a temperature sensor IC with PWM duty cycle output which is specific designed for graphic cards etc. An 11-bit analog-to-digital converter (ADC) was built inside F75363. The F75363 can monitor temperature and fan speed which is important for the system to work stably and properly. This chip provides 1 remote temperature sensor and 1 local temperature sensor. The remote temperature sensor can be performed by CPU/GPU thermal diode or transistor 2N3906. The users can set up the upper and lower limits (alarm thresholds) of all monitored parameters and this chip can also issue warning messages for system protection when there is something wrong with monitored items. As for fan speed control, the F75363 can use PWM duty cycle output to automatically control fan speed. The fan speed control is related to temperature variation. There is 8-step lookup table for users to program PWM duty cycle output to control fan speed according to the temperature variation. The F75363 is in the package of 8-pin SOP and powered by 3.3V.

## 2. Features

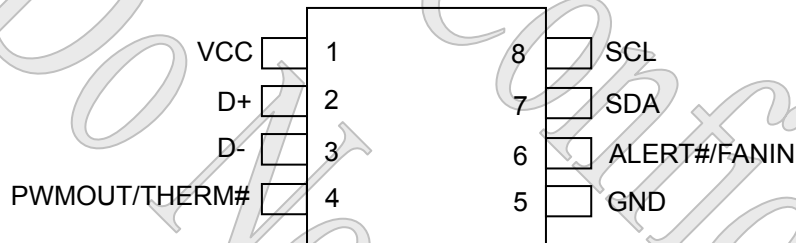
- ◆ Provide 1 on-chip local and 1 remote temperature sensing
- ◆ Accuracy
  - ✓  $\pm 1^{\circ}\text{C}$  accuracy on remote channel (+60  $^{\circ}\text{C}$  to +126  $^{\circ}\text{C}$ )
  - ✓  $\pm 3^{\circ}\text{C}$  accuracy on local channel(+0  $^{\circ}\text{C}$  to +100  $^{\circ}\text{C}$ )
- ◆ User selectable multi-function pin for either PWM duty cycle output or THERM# signal output function
- ◆ User selectable multi-function pin for either ALERT# output or tachometer input function
- ◆ Automatic fan speed control with user programmable 8-step lookup table
- ◆ Programmable alert queue and limited and setting points(alert threshold) for monitored items
- ◆ 2 wire SMBus interface and ALERT# output for SMBus alert
- ◆ 3VCC operation and in 8-SOP package

Patented: TWI235231, TWI263788

### 3. Key Specifications

- ◆ Supply Voltage 3.0~3.6V
- ◆ Supply Current 630 uA (typ) (@ conversion rate = 16Hz)
- ◆ Measured Range 0 ~ 126.75 °C
- ◆ Remote Diode Temperature Accuracy  $\pm 1^{\circ}\text{C}$  from  $+60^{\circ}\text{C}$  to  $+126^{\circ}\text{C}$
- ◆ Local Temperature Accuracy  $\pm 3^{\circ}\text{C}$  from  $+0^{\circ}\text{C}$  to  $+100^{\circ}\text{C}$

### 4. Pin Configuration



### 5. Pin Descriptions

POD<sub>12</sub> - Pure Open-drain output pin with 12 mA sink capability

IN<sub>is</sub> - TTL level input pin and schmitt trigger

AIN - Input pin(Analog)

PWR - Power

Pin No	Pin Name	Type	Description
1	VCC	PWR	Power Pin
2	D+	AIN	Positive connection to remote temperature sensor (ex: thermal diode anode)
3	D-	AIN	Negative connection to remote temperature sensor(ex: thermal diode cathode)
4	PWMOUT / THERM#	POD <sub>12</sub> (5V-tolerance)	This is a multi-function pin. Power-on default is PWMOUT function. When it acts as PWMOUT function, it controls the fan speed. When it acts as THERM# function, it will be asserted when the temperature exceeds its thermal limit.

5	GND	PWR	Ground
6	ALERT# / FANIN	POD <sub>12</sub> / IN <sub>ts</sub> (5V-tolerance)	This is a multi-function pin. Power-on default is ALERT# function. When it is used as ALERT# function, it will be asserted when the temperature exceeds its high limit or goes below its low limit. When it is as FANIN function, it is for monitoring the fan speed.
7	SDA	IN <sub>ts</sub> /POD <sub>12</sub> (5V-tolerance)	Serial bus data
8	SCL	IN <sub>ts</sub> (5V-tolerance)	Serial bus clock

## 6. Functional Description

### 6.1 General Description

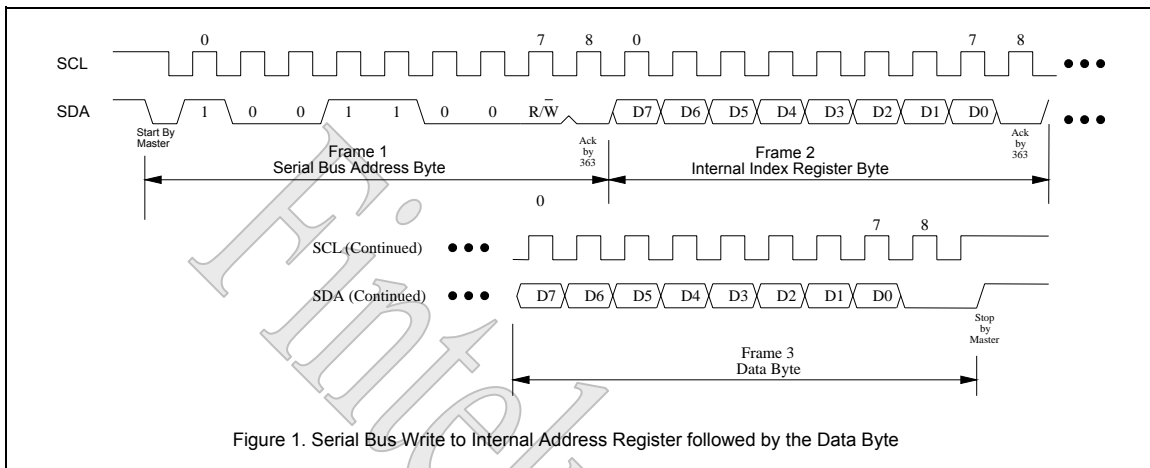
The F75363 is a temperature sensor IC with PWM duty cycle output which is specific designed for graphic cards etc. An 11-bit analog-to-digital converter (ADC) was built inside F75363. This chip provides 1 remote temperature sensor and 1 local temperature sensor. The remote temperature sensor can be performed by CPU/GPU thermal diode or transistor 2N3906. Users can set up the upper and lower limits (alarm thresholds) of monitored parameters and this chip can also issue warning messages for system protection when there is something wrong with monitored items. As for fan speed control, the F75363 can use PWM duty cycle output to automatically control fan speed. The fan speed control is related to temperature variation. There is 8-step lookup table for users to program PWM duty cycle output to control fan speed according to the temperature variation.

### 6.2 Access Interface

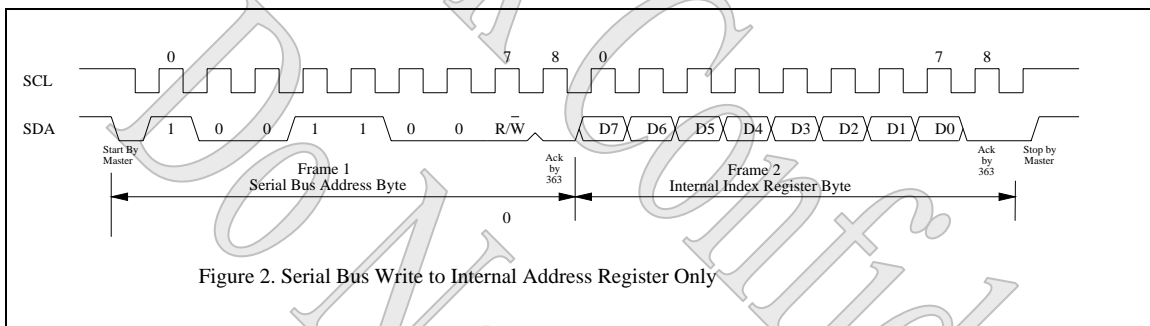
The F75363 can be connected to a compatible 2-wire serial system management bus as a slave device under the control of the master device, using two device terminals SCL and SDA. The F75363 supports SMBus protocol of, "Write Byte", "Read Byte", both with or without Packet Error checking (PEC) which is calculated using CRC-8. For detail information about PEC, please check SMBus 1.1 specification. F75363 supports 25ms timeout for no activity on the SMBus. This timeout function is programmed at 22h bit7 and default is disabled. F75363 also supports Alert Response Address (ARA) protocol.

The operation of the protocol is described with details in the following sections.

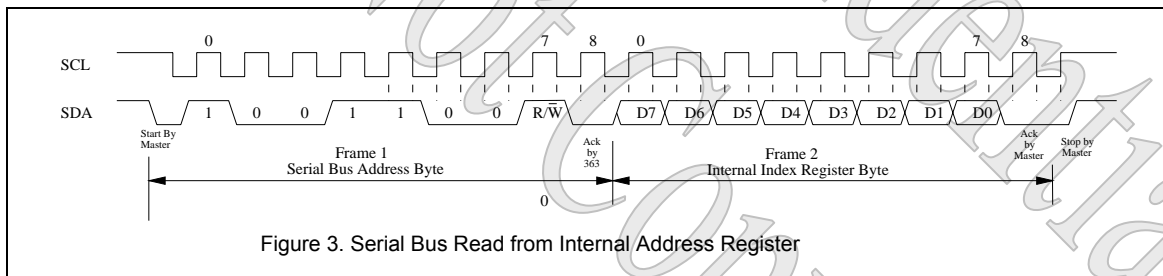
**(a) SMBus write to internal address register followed by the data byte**



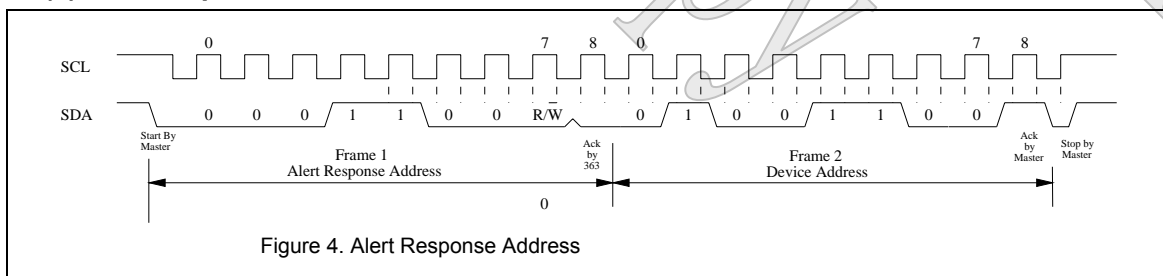
**(b) Serial bus write to internal address register only**



**(c) Serial bus read from a register with the internal address register prefer to desired location**



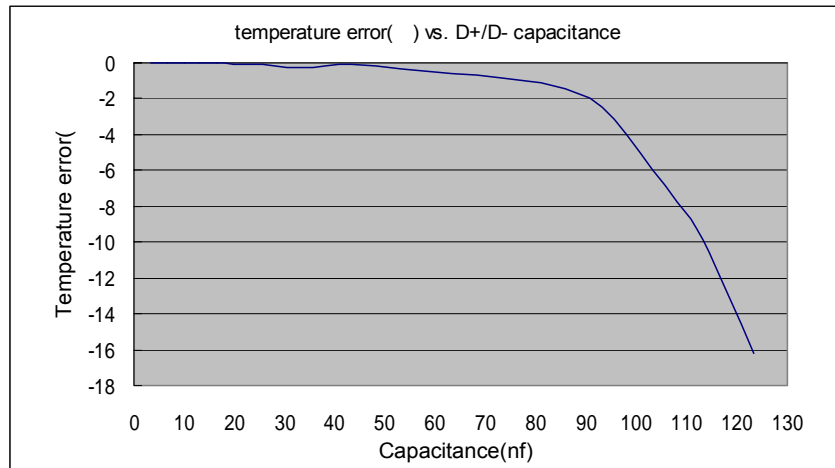
**(d) Alert Response Address**



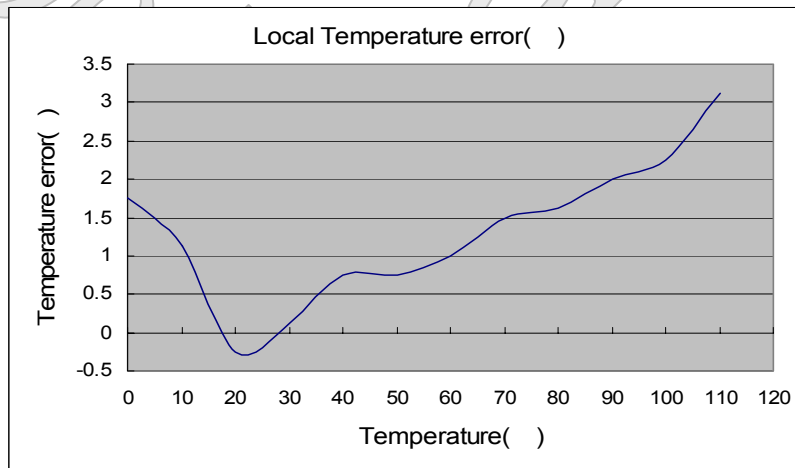
### 6.3 Typical Operating Characteristics

**(a) Temperature Error vs.D+/D- Capacitance**

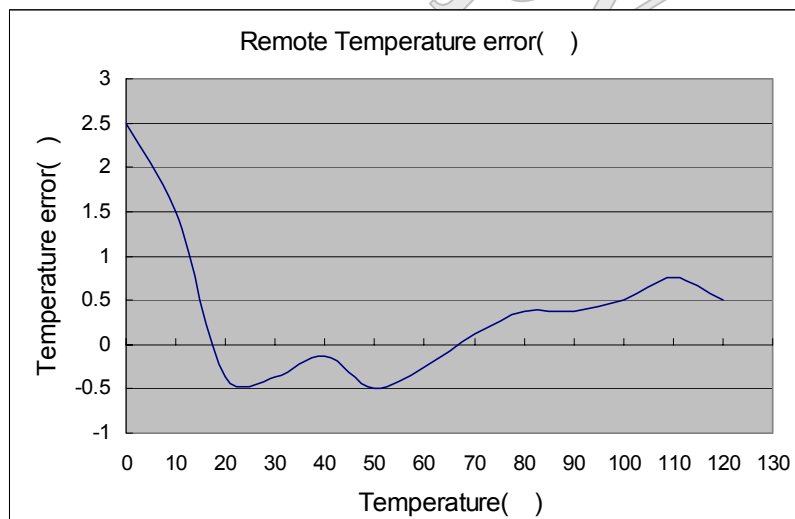


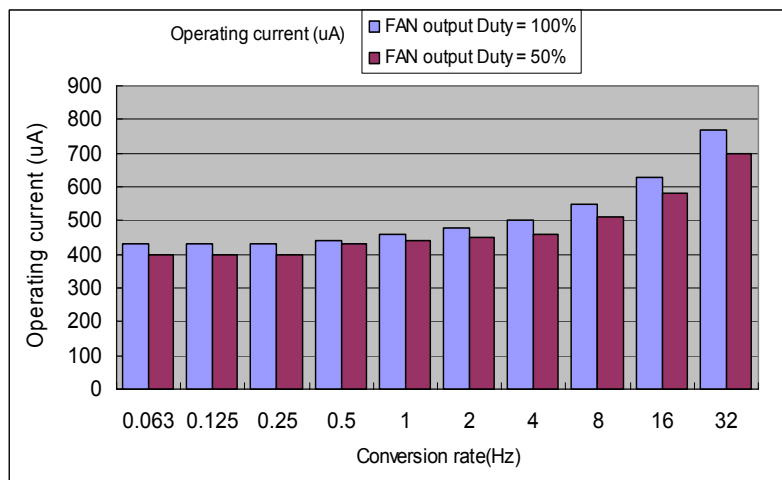


**(b) Local Temperature Error vs. Die Temperature**



**(c) Remote Temperature Error vs. Die Temperature**



**(d) Operating Supply Current vs. Conversion Rate**

**6.4 Temperature Monitoring**

The F75363 monitors a local and a remote temperature sensor. Both can be measured from 0°C to 126.875°C.

The temperature format is as the following table:

Temperature ( High Byte )	Digital Output	Temperature ( Low Byte )	Digital Output
0°C	0000 0000	0°C	000 0 0000
1°C	0000 0001	0.125°C	001 0 0000
25°C	0001 1001	0.250°C	010 0 0000
50°C	0011 0010	0.375°C	011 0 0000
75°C	0100 1011	0.500°C	100 0 0000
90°C	0101 1010	0.625°C	101 0 0000
100°C	0110 0100	0.750°C	110 0 0000
126°C	0111 1110	0.875°C	111 0 0000

T

**Remote-sensor transistor manufacturers**

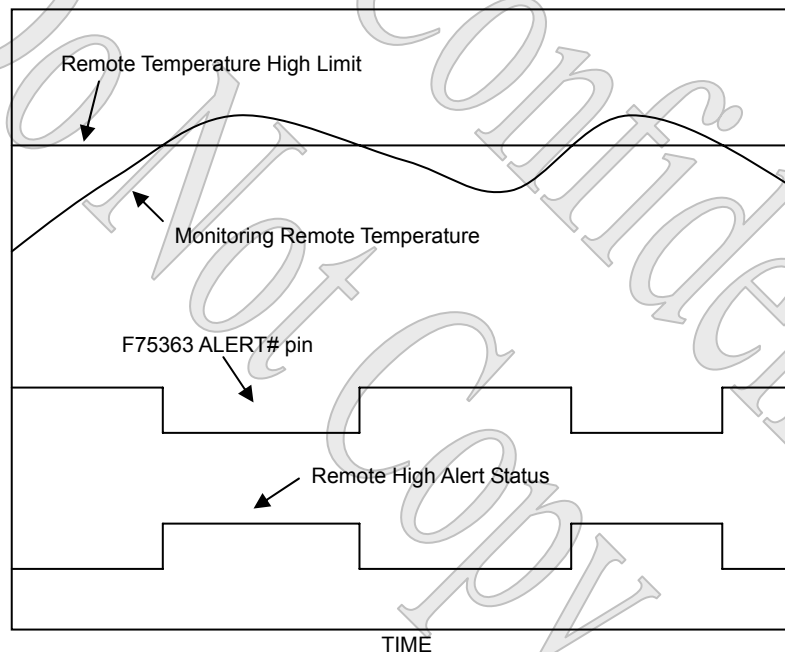
Manufacturer	Model Number
Panasonic	2SB0709 2N3906
Philips	PMBT3906

## 6.4 Alert# Signal

ALERT#/FANIN (pin 6) can be used as ALERT# output or fan tachometer input by setting Configuration Register (index 03h). When pin 6 is used as ALERT# output, there are three different alert functions can be used. The interrupt methods that ALERT# pin can act are (1) Comparator mode (2) Interrupt mode (3) Alert Response Address mode.

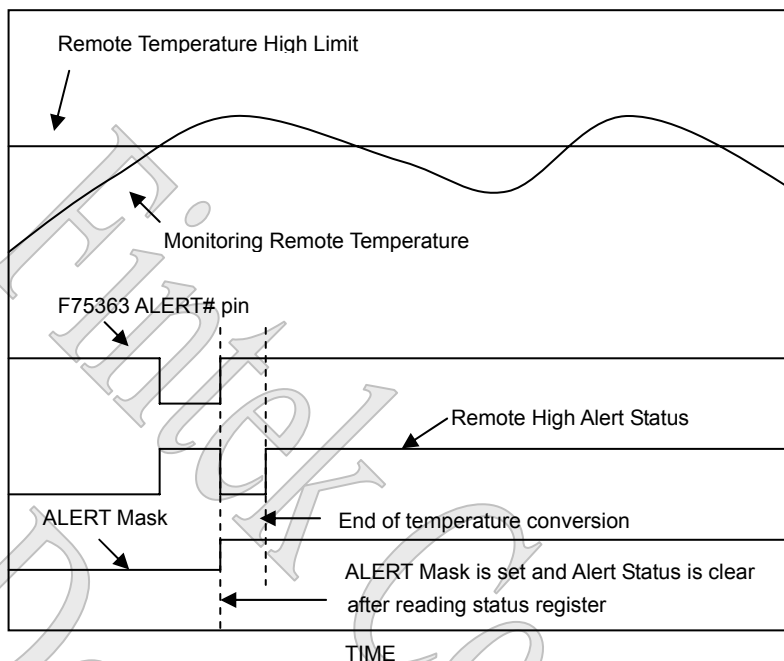
### 6.4.1 Comparator mode

When the Comparator Mode bit in Configuration Register (index BFh) is asserted, ALERT# is used as a temperature comparator. If the triggering conditions occur, ALERT# will go to low and relative alert status will be asserted until those conditions are no longer present. This mode is not the power-on default state. Note that the triggering conditions do not include BUSY and OPEN status in Configuration Register (index 02h).



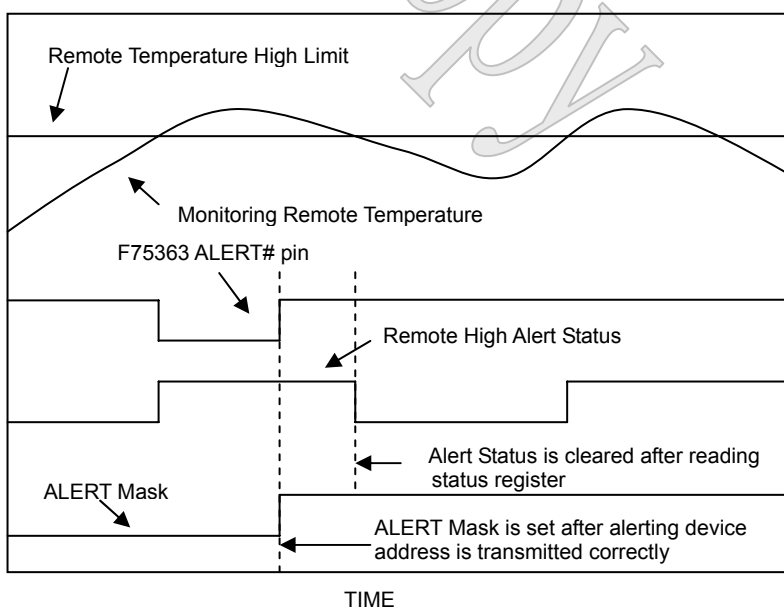
### 6.4.2 Interrupt mode

The F75363's ALERT# output can be used as a simple interrupt signal if Comparator Mode bit is not asserted. If the triggering conditions occur, relative alert status will be asserted and ALERT# will go to low. The F75363 will set the ALERT Mask bit and relative alert status will be cleared after master's reading of the Status Register (Index 02h or 18h). The ALERT Mask bit is set in order to prevent further ALERT# triggering after the end of one temperature conversion if the triggering conditions are still present. At the end of interrupt service routine, the master has to reset ALERT Mask bit in configuration register. Note that the triggering conditions do not include BUSY and OPEN status in Configuration Register (index 02h).



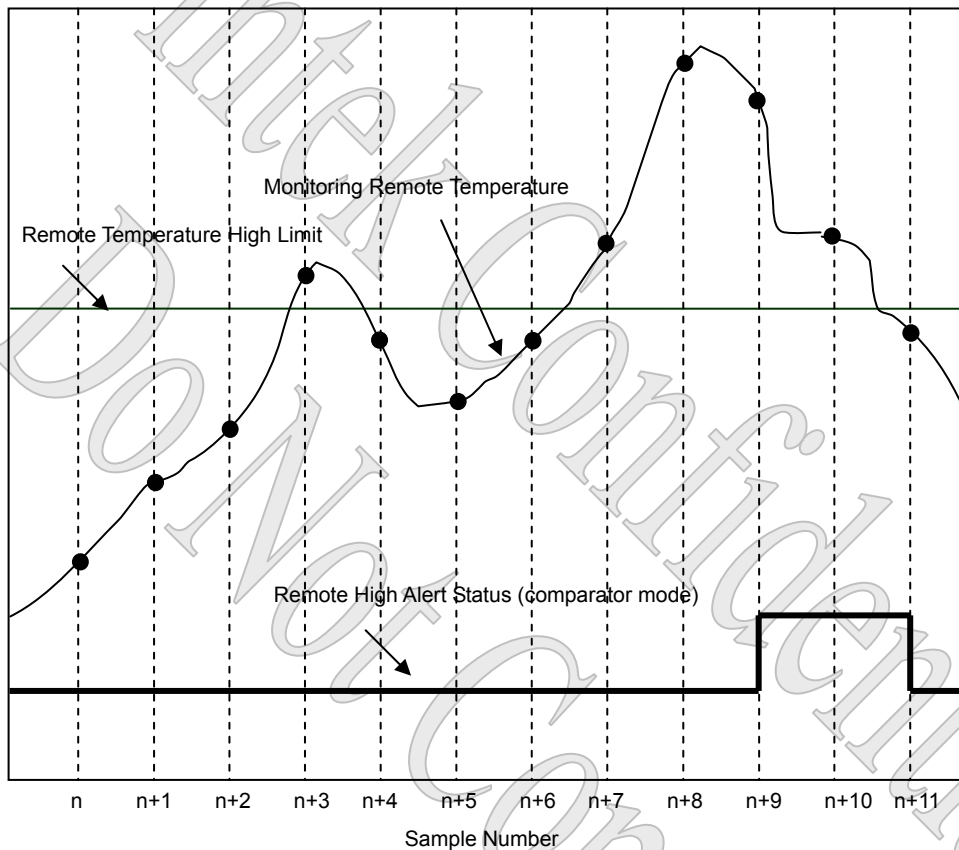
#### 6.4.3 Alert Response Address mode

If ALERT# is connected to one or more ALERT# outputs of SMBus compatible devices, the master may send an ARA command to ask that which device is pulling ALERT# to low. When the ALERT# is pulled to low by F75363 and F75363 receives the ARA command sent by the master, F75363 will send its address to the master. The F75363 will reset its ALERT# output and set the ALERT Mask bit once the master acknowledges its response of device address. The master may read F75363's status registers to check what the triggering conditions occur. At the end of interrupt service routine, the master has to reset ALERT Mask bit in configuration register. Note that the triggering conditions do not include BUSY and OPEN status in Configuration Register (index 02h). The ARA, 000 1100, is a general call address and is defined in SMBus specifications. No devices should be assigned to this address.



## 6.5 Temperature Fault Queue

The F75363 provides a Fault Queue bit in Configuration Register (index 03h) to prevent false alert triggering. By setting Fault Queue bit to a 1, the F75363 will require **three** consecutive triggering conditions of temperature readings to set relative alert status bits to 1. The power-on default value of Fault Queue bit is 0.



## 7. Registers Description

### 7.1 Configuration Register — Index 03h (09h)

Power on default <7:0> = 00h

Bit	Name	Attribute	Description
7	ALERT_MASK	R/W	Set to 1, mask ALERT# signal output.
6	RUN_STOP	R/W	Set to 0, monitor. Set to 1, stop monitor (in standby).
5	PWM_DIS_STBY	R/W	Set to 1, PWMOUT will be disabled while in standby. (when bit 6 is set to 1)

			Set to 0, the F75363's PWM output continues to output the control signal while in standby. (when bit 6 is set to 1)
4~3	Reserved	RO	These bits are unused and always set to 0
2	ALERT_TACH_SEL	R/W	Set to 1, pin6 is fan Tachometer input. Set to 0, pin6 is ALERT output.
1	Reserved	RO	This bit is unused and always set to 0
0	ALERT_QUEUE	R/W	Set to 1, an ALERT will be generated if consecutive abnormal events occur three times. Set to 0, an ALERT will be generated if any abnormal event occurs.

## 7.2 Status Register — Index 02h

Power on default <7:0> = 00h

T1 = On-chip temperature sensor (Local)    T2 = Pin 2 external temperature sensor (Remote)

Bit	Name	Attribute	Description
7	ADC_BUSY	RO	Set to 1, ADC is converting.
6	T1_HIGH_STS	RO	Set to 1, T1 temperature exceeds high limit. Set to 0, T1 temperature does not exceed high limit.
5	T1_LOW_STS	RO	Set to 1, T1 temperature goes below low limit. Set to 0, T1 temperature does not goes below low limit.
4	T2_HIGH_STS	RO	Set to 1, T2 temperature exceeds high limit. Set to 0, T2 temperature does not exceed high limit.
3	T2_LOW_STS	RO	Set to 1, T2 temperature goes below low limit. Set to 0, T2 temperature does not goes below low limit.
2	T2_OPEN_STS	RO	Set to 1, T2 is open-circuit or shorted to VDD. Set to 0, T2 is not open-circuit and not shorted to VDD.
1	T2_THERM_STS	RO	Set to 1, T2 temperature exceeds its thermal limit. Set to 0, T2 temperature does not exceed its thermal limit.
0	FAN_ALARM	RO	Set to 1, FAN count is higher than the FAN limit value Set to 0, FAN count is equal or lower than the FAN limit value.

## 7.3 Status Register — Index 18h

Power on default <7:0> = 00h

T1 = On-chip temperature sensor (Local)    T2 = Pin 2 external temperature sensor (Remote)

Bit	Name	Attribute	Description
7	T1_THERM_STS	RO	Set to 1, T1 temperature exceeds its thermal limit. Set to 0, T1 temperature does not exceed its thermal limit.
6-0	Reserved	RO	These bits are unused and always set to 0

#### 7.4 Real-Time Status Register — Index 2Eh

Power on default <7:0> = 00h

T1 = On-chip temperature sensor (Local) T2 = Pin 2 external temperature sensor (Remote)

Bit	Name	Attribute	Description
7-3	Reserved	RO	These bits are unused and always set to 0
2	Reserved	RO	Fintek test mode used only
1	T2_THERM	RO	Set to 1, T2 temperature exceeds its thermal limit This is a real-time event status
0	T1_THERM	RO	Set to 1, T1 temperature exceeds its thermal limit This is a real-time event status

#### 7.5 Conversion Rate Register — Index 04h (0Ah)

Power on default <7:0> = 08h

Bit	Name	Attribute	Description			
7-0	CONV_RATE	R/W	Set conversion times per second.			
			Value	Conversion/Sec	Value	Conversion/Sec
			00h	0.0625	06h	4
			01h	0.125	07h	8
			02h	0.25	08h	16
			03h	0.5	09h	32
			04h	1	0Ah ~ FFh	Reserved
			05h	2		

#### 7.6 Serial Interface Timeout Register — Index 22h

Power on default <7:0> = 00h

Bit	Name	Attribute	Description
7	EN_I2CTMOUT	R/W	Set to 1, enable serial interface timeout function. (25ms). Set to 0, disable.
6-0	Reserved	RO	These bits are unused and always set to 0

#### 7.7 ALERT MASK Register 1 — Index 16h

Power on default <7:0> = A4h

T1 = On-chip temperature sensor (Local) T2 = Pin 2 external temperature sensor (Remote)

Bit	Name	Attribute	Description
7	Reserved	RO	This bit is unused and always set to 1
6	T1H_MASK	R/W	Set to 1, T1 temperature exceeds high limit will not generate an ALERT. Set to 0, T1 temperature exceeds high limit will generate an ALERT.
5	T1L_MASK	R/W	Set to 1, T1 temperature goes below low limit will not generate an ALERT. Set to 0, T1 temperature goes below low limit will generate an ALERT.
4	T2H_MASK	R/W	Set to 1, T2 temperature exceeds high limit will not generate an ALERT. Set to 0, T2 temperature exceeds high limit will generate an ALERT.
3	T2L_MASK	R/W	Set to 1, T2 temperature goes below low limit will not generate an ALERT. Set to 0, T2 temperature goes below low limit will generate an ALERT.
2	Reserved	RO	This bit is unused and always set to 1
1	T2_THR_MASK	R/W	Set to 1, T2 temperature exceeds its thermal limit will not generate an ALERT. Set to 0, T2 temperature exceeds its thermal limit will generate an ALERT.
0	FAN_MASK	R/W	Set to 1, FAN count exceeds its limit will not generate an ALERT. Set to 0, FAN count exceeds its limit will generate an ALERT.

### 7.8 ALERT MASK Register 2 — Index 17h

Power on default <7:0> = 00h

T1 = On-chip temperature sensor (Local)    T2 = Pin 2 external temperature sensor (Remote)

Bit	Name	Attribute	Description
7	T1_THR_MASK	R/W	Set to 1, T1 temperature exceeds its thermal limit will not generate an ALERT. Set to 0, T1 temperature exceeds its thermal limit will generate an ALERT.
6-0	Reserved	RO	Fintek test mode used only

### 7.9 PWM Control Register — Index 30h

Power on default <7:0> = 23h

Bit	Name	Attribute	Description
7	FTK_MODE	R/W	Select method of controlling PWM duty and frequency to FINTEK mode.
6	Reserved	RO	This bit is unused and always set to 0
5-4	FLT_SEL	R/W	When bit7 set to 0, tachometer input filter can be selected here. 2'b00: Filter time = 177.6us 2'b01: Filter time = 355.2us 2'b10: Filter time = 888us 2'b11: Filter time = 1.776ms
3	Reserved	RO	This bit is unused and always set to 0
2	Reserved	R/W	Fintek test mode used only



1	PT_SEL	R/W	Set to 1, select function of Pin4 to PWM output. (default) Set to 0, select function of Pin4 to THERM# output.
0	Reserved	R/W	Fintek test mode used only

### 7.10 FINTEK PWM Control Register — Index 31h (Fintek Mode)

Power on default <7:0> = 00h

Bit	Name	Attribute	Description
7	FTK_PWMCLK_SEL	R/W	Set to 0, PWM source clock is 2 MHz. Set to 1, PWM source clock is 200 kHz.
6-0	FTK_PREDIV	R/W	Set to 0 or 1 makes no different. PWM clock is divided by this value. PWM clock = PWMOUT source clock/FTK_PREDIV

### 7.11 PWM Control and Fan Monitor Register— Index 4Ah

Power on default <7:0> = 20h

Bit	Name	Attribute	Description
7-6	Reserved	RO	These bits are not used and always set to 0
5	PWM_MODE	R/W	<b>0:</b> operates in <b>TEMPERATURE</b> mode. PWMOUT duty-cycle is automatically adjusted according to the T-P (Temperature vs. PWM) lookup table. Look-up table is locked. <b>1:</b> operates in <b>MANUAL</b> mode. Software set the PWMOUT duty-cycle directly. Look-up table is programmable.
4	PWM_INV	R/W	<b>0:</b> PWM output will be 0 V to turn off FAN and open (High-Z) to turn on fan. <b>1:</b> PWM output will be open to turn off FAN and 0 V to turn on fan.
3	PWM_CLK_SEL	R/W	<b>0:</b> PWMOUT frequency source is 333 kHz. <b>1:</b> PWMOUT frequency source is 1.4 kHz.
2	Reserved	R/W	This bit is not used and always set to 0
1-0	Tachometer Mode	R/W	00: Traditional Tachometer Input Mode 01: Improved Traditional Tachometer Input Mode 10: Most Accurate Mode 11: Least Effort Mode  Note: If the PWM Clock is 333 kHz, Traditional Tachometer Input Mode is always used.

**7.12 Fan Spin-Up Configuration Register — Index 4Bh**

Power on default&lt;7:0&gt; = 3Fh

Bit	Name	Attribute	Description
7-6	Reserved	RO	These bits are not used and always set to 0.
5	Fast Tachometer Spin-up	R/W	0: The spin-up time and duty depends on bit 4-0. 1: Sets the PWMOUT to 100% until the spin-up times out or the minimum RPM limit is reached. When this bit is set, the spin-up duty cycle is always 100%. If PWM spin up time (bit2-0) = 000, the spin-up process is bypassed.
4-3	PWM Spin-Up Duty Cycle	R/W	00: No spin-up (unless bit5 is set to 0) 01: 50% 10: 75%~81%. Depends on PWM frequency select. 11: 100%.(default)
2-0	PWM Spin-Up Time	R/W	The time unit is 0.5 second. The default time is 3.5 seconds 000: No Spin-up. 001: 0.5 seconds 010: 1.0second 011: 1.5 second 100: 2.0 second 101: 2.5 second 110: 3.0 second 111: 3.5 second

**7.13 PWM Value Register — Index 4Ch**

Power on default&lt;7:0&gt; =00h

Bit	Name	Attribute	Description
7-0	PWM_DUTY	R/W	If PWM_MODE is set to 0, this register is read only and reflects the current PWM duty-cycle value from the T-P lookup table. If PWM_MODE is set to 1, this register is read/write and the software programs this register directly.

**7.14 FAN PWM Frequency Register — Index 4Dh**

Power on default&lt;7:0&gt; =17h

Bit	Name	Attribute	Description
7-5	Reserved	RO	These bits are unused and always set to 0
4-0	PWM_FREQ	R/W	PWM frequency = PWM_CLK / 2n (PWM_CLK = 333 kHz or 1.4 kHz , n = value of this register)

### 7.15 Lookup Table Hysteresis Register — Index 4Fh

Power on default<7:0> = 04h

Bit	Name	Attribute	Description
7-5	Reserved	RO	These bits are unused and always set to 0
4-0	LOOKUP HYST	R/W	Lookup table hysteresis. (1LSB = 1°C)

### 7.16 Temperature vs. PWM Duty Lookup Table Registers — Index 50h to 5Fh

Power on default<7:0> = 7Fh and 3Fh

Index	Name	Bits	Description
50(52,54,56,58, 5A,5C,5E)	TEMP(x)	7	This bit is unused and always set to 0
		6-0	When T2 (external) temperature exceeds (greater than) this value, PWM output will be the value of INDEX 5(y)h register.
51(53,55,57,59, 5B,5D,5F)	DUTY(y)	7-6	These bits are unused and always set to 0
		5-0	PWM output value corresponds to the temperature entry in INDEX 5(x)h.

### 7.17 ALERT Mode and Temperature Filter Control Register -- Index BFh

Power on default<7:0> = 00h

Bit	Name	Attribute	Description
7-3	Reserved	RO	These bits are unused and always set to 0
2-1	Reserved	R/W	Rewriteable register
0	Comparator Mode	R/W	0: ALERT# is INTERRUPT mode 1: ALERT# is COMPARATOR mode

### 7.18 ARA Register --- Index FDh

Power on default: 0Ch (ARA address = 18h)

### 7.19 Vendor ID II (Manufacturer ID) Register — Index FEh

Power on default: 23h.

### 7.20 Version ID Register — Index FFh

Power on default: 20h.

### 7.21 Temperature and Fan Count Value Registers— Index 10h- 2Fh

T1 = On-chip temperature sensor (Local) T2 = Pin 2 external temperature sensor (Remote)

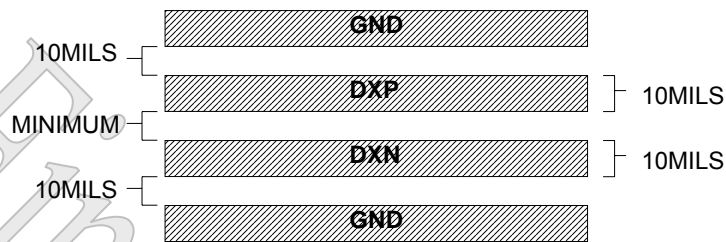
The value in quota is its power-on default value.

Description	Attribute	Address(High Byte)	Address (Low Byte)
T1 reading	RO	00h	1Ah
T2 reading	RO	01h	10h
T1 High Limit	R/W	05h/0Bh <sup>(46h)</sup>	1Bh <sup>(00h)</sup>
T1 Low Limit	R/W	06h/0Ch <sup>(00h)</sup>	1Ch <sup>(00h)</sup>
T2 High Limit	R/W	07h/0Dh <sup>(55h)</sup>	13h <sup>(00h)</sup>
T2 Low Limit	R/W	08h/0Eh <sup>(00h)</sup>	14h <sup>(00h)</sup>
T1 thermal limit	R/W	20h <sup>(55h)</sup>	
T1 thermal Hysteresis	R/W	23h <sup>(0Ah)</sup>	
T2 thermal limit	R/W	19h <sup>(64h)</sup>	
T2 thermal Hysteresis	R/W	21h <sup>(0Ah)</sup>	
FAN Tachometer Count	RO	47h <sup>(FFh)</sup>	46h <sup>(FFh)</sup>
FAN Tachometer Limit	R/W	49h <sup>(FFh)</sup>	48h <sup>(FFh)</sup>

## 8. PCB Layout Guide

PCB can be electrically noisy environments, and the F75363 is measuring very small voltage from the remote sensor, so care must be taken to minimize noise which is occurred at the sensor inputs. The following guideline should be taken to reduce the measurement error of the temperature sensors:

1. Place the F75363 as close as practical to the remote sensing diode. In noisy environments, such as a computer main-board, the distance can be 4 to 8 inches. (typ). This length can be increased if the worst noise sources are avoided. Noise sources generally include switching power plane, clock generators, CRTs, memory buses and PCI/ISA bus etc.
2. Route the D+ and D- tracks close together, in parallel, with grounded guard tracks on each side. Provide a ground plane under the tracks if possible. Do not route D+ & D- lines next to the deflection coil of the CRT. And also don't route the trace across fast digital signals which can easily induce bigger error.



3. Use wide tracks to minimize inductance and reduce noise pickup. 10 mil track minimum width and spacing is recommended.
4. Try to minimize the number of copper/solder joints, which can cause thermocouple effects. Where copper/solder joints are used, make sure that they are in both the D+ and D- path and at the same temperature. Thermocouple effects should not be a major problem as 1 corresponds to about 200 $\mu$ V. It means that a copper-solder thermocouple exhibits 3 $\mu$ V/ , and takes about 200 $\mu$ V of the voltage error at D+ & D- to cause a 1 measurement error. Adding a few thermocouples causes a negligible error.
5. Place a 0.1 $\mu$ F bypass capacitor close to the V<sub>DD</sub> pin. In very noisy environments, place an external 2200pF input filter capacitors across D+, D- close to the F75363.
6. If the distance to the remote sensor is more than 8 inches, the use of twisted pair cable is recommended. It will work up to around 6 to 12 feet.
7. Because the measurement technique uses switched current sources, excessive cable and/or filter capacitance will affect the measurement accuracy. When using long cables, the filter capacitor may be reduced or removed. Cable resistance can also induce errors. 1  $\Omega$  series resistance introduces about 0.5 error.

## 9. Electrical characteristic

### 9.1 Absolute Maximum Ratings

PARAMETER	RATING	UNIT
Power Supply Voltage	-0.5 to 5.5	V

Input Voltage	-0.5 to VDD+0.5	V
Operating Temperature	0 to +140	°C
Storage Temperature	-55 to 150	°C

Note: Exposure to conditions beyond those listed under Absolute Maximum Ratings may adversely affect the life and reliability of the device

## 9.2 DC Characteristics

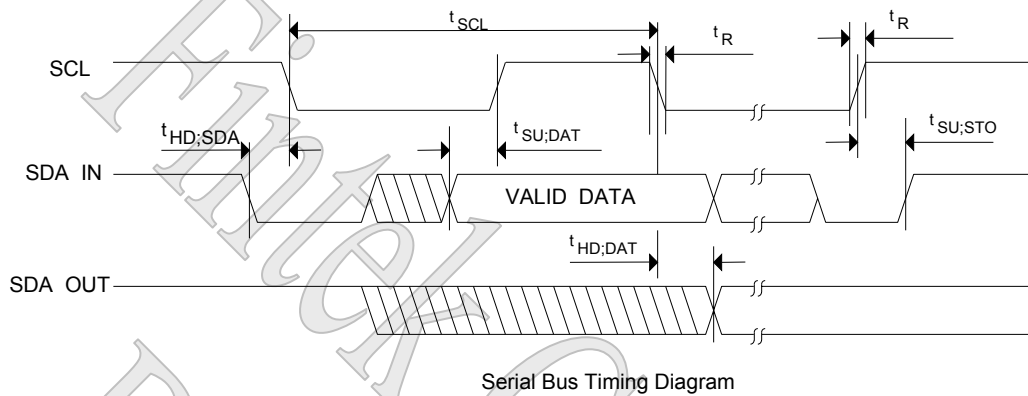
( $T_A = 0^\circ\text{C}$  to  $70^\circ\text{C}$ ,  $V_{DD} = 3.3\text{V} \pm 10\%$ ,  $V_{SS} = 0\text{V}$ )

Parameter	Conditions	MIN	TYP	MAX	Unit
Temperature Error, Remote Diode	$60^\circ\text{C} < T_D < 126^\circ\text{C}$ , $V_{CC} = 3.0\text{V}$ to $3.6\text{V}$		$\pm 1$		$^\circ\text{C}$
	$0^\circ\text{C} < T_D < 60^\circ\text{C}$		$\pm 1$	$\pm 3$	
Temperature Error, Local Diode	$0^\circ\text{C} < T_A < 100^\circ\text{C}$ , $V_{CC} = 3.0\text{V}$ to $3.6\text{V}$		$\pm 1$	$\pm 3$	$^\circ\text{C}$
Supply Voltage range		3.0	3.3	3.6	V
Average operating supply current	16 Conversions / Sec Rate		630		$\mu\text{A}$
	0.0625 Conversions / Sec Rate		430		$\mu\text{A}$
Standby supply current			30		$\mu\text{A}$
Resolution			0.125		$^\circ\text{C}$
Under-voltage lockout threshold	VDD input, Disables ADC, Rising Edge		2.55		V
Power on reset threshold			2.2	2.4	V
Diode source current	High Level		95		$\mu\text{A}$
	Low Level		10		$\mu\text{A}$

( $T_A = 0^\circ\text{C}$  to  $70^\circ\text{C}$ ,  $V_{DD} = 3.3\text{V} \pm 10\%$ ,  $V_{SS} = 0\text{V}$ )

PARAMETER	SYM.	MIN.	TYP.	MAX.	UNIT	CONDITIONS
<b>POD<sub>12</sub> –Pure open-drain output pin with sink capability of 12 mA</b>						
Output Low Current	IOL	10	12		mA	VOL = 0.4V
<b>IN<sub>ts</sub> - TTL level Schmitt-triggered input pin</b>						
Input Low Threshold Voltage	Vt-	0.4	0.8		V	VDD = 3.3V
Input High Threshold Voltage	Vt+		2.0	2.4	V	VDD = 3.3V
Input High Leakage	ILIH			1	$\mu\text{A}$	VIN = VDD
Input Low Leakage	ILIL			1	$\mu\text{A}$	VIN = 0 V

### 9.3 AC Characteristics



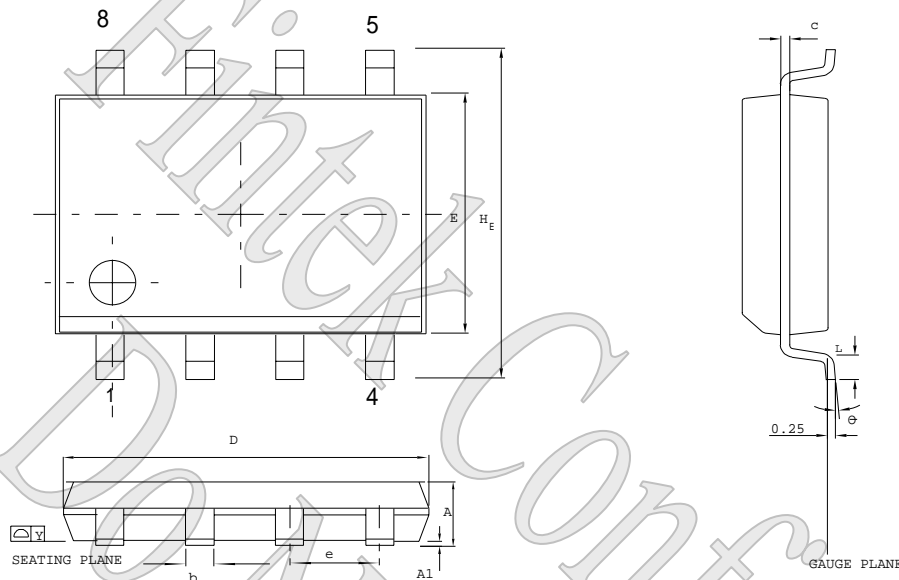
#### Serial Bus Timing

PARAMETER	SYMBOL	MIN.	MAX.	UNIT
SCL clock period	$t_{SCL}$	0.5	10000	uS
Start condition hold time	$t_{HD;SDA}$	0.5		uS
Stop condition setup-up time	$t_{SU;STO}$	0.5		uS
DATA to SCL setup time	$t_{SU;DAT}$	50		nS
DATA to SCL hold time	$t_{HD;DAT}$	50		nS
SCL and SDA rise time	$t_R$		0.4	uS
SCL and SDA fall time	$t_F$		0.4	nS

## 10. Ordering Information

Part Number	Package Type	Production Flow
F75363SG	8 pin SOP (Green Package)	Commercial, 0°C to +70°C

## 11. Package Dimensions



Control dimensions are in millimeters .

SYMBOL	DIMENSION IN MM		DIMENSION IN INCH	
	MIN.	MAX.	MIN.	MAX.
A	1.35	1.75	0.053	0.069
A1	0.10	0.25	0.004	0.010
b	0.33	0.51	0.013	0.020
c	0.19	0.25	0.008	0.010
E	3.80	4.00	0.150	0.157
D	4.80	5.00	0.188	0.196
e	1.27 BSC		0.050 BSC	
HE	5.80	6.20	0.228	0.244
L	0.10		0.004	
L	0.40	1.27	0.016	0.050
θ	0	10	0	10

(F75363 8-SOP Package )


**Feature Integration Technology Inc.**

### Headquarters

3F-7, No 36, Tai Yuan St.,  
 Chupei City, Hsinchu, Taiwan 302, R.O.C.  
 TEL : 886-3-5600168  
 FAX : 886-3-5600166

### Taipei Office

Bldg. K4, 7F, No.700, Chung Cheng Rd.,  
 Chungho City, Taipei, Taiwan 235, R.O.C.  
 TEL : 866-2-8227-8027  
 FAX : 866-2-8227-8037

P www: <http://www.fintek.com.tw>

I

Please note that all datasheet and specifications are subject to change without notice. All the trade marks of products and companies mentioned in this datasheet belong to their respective owner.



# 10 Application Circuit

