

**PLEASE CHECK WWW.MOLEX.COM FOR LATEST PART INFORMATION**

**Part Number:** **0473621003**  
**Status:** **Active**  
**Overview:** serial ata 127 host receptacles  
**Description:** 1.27mm (.050") Pitch Combo SATA Cable Connector, Straight Type, with Arris on both surface, without bumps, 0.38µm (15µ") Gold (Au), 22 Circuits, Lead Free

**Documents:**

[3D Model](#) [RoHS Certificate of Compliance \(PDF\)](#)  
[Drawing \(PDF\)](#)

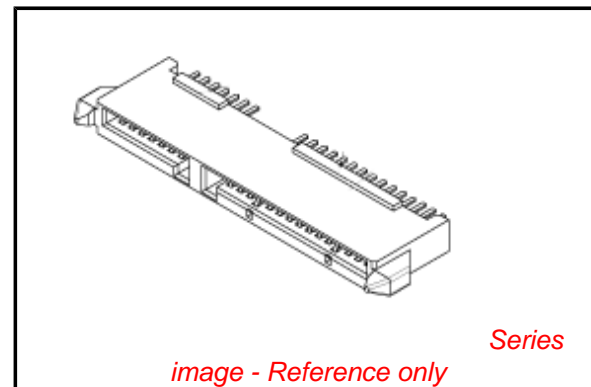
**General**

|                |                                        |
|----------------|----------------------------------------|
| Product Family | I/O Connectors                         |
| Series         | <u>47362</u>                           |
| Application    | Wire-to-Board                          |
| Comments       | Straight Type                          |
| Component Type | Receptacle                             |
| Overview       | <u>serial ata 127 host receptacles</u> |
| Product Name   | Serial ATA                             |
| Type           | N/A                                    |

**Physical**

|                                |                    |
|--------------------------------|--------------------|
| Boot Color                     | N/A                |
| Circuits (Loaded)              | 22                 |
| Circuits (maximum)             | 22                 |
| Circuits Detail                | Signal 7, Power 15 |
| Color - Resin                  | Black              |
| Durability (mating cycles max) | 50                 |
| Gender                         | Receptacle         |
| Keying to Mating Part          | Yes                |
| Lock to Mating Part            | None               |
| Material - Metal               | Copper Alloy       |
| Material - Plating Mating      | Gold               |
| Material - Plating Termination | Tin                |
| Number of Rows                 | 1                  |
| Orientation                    | Straight           |
| PCB Locator                    | No                 |
| PCB Retention                  | None               |
| Packaging Type                 | Tray               |
| Panel Mount                    | No                 |
| Pitch - Mating Interface (in)  | 0.050 In           |
| Pitch - Mating Interface (mm)  | 1.27 mm            |
| Pitch - Term. Interface (in)   | 0.050 In           |
| Pitch - Term. Interface (mm)   | 1.27 mm            |
| Plating min: Mating (µin)      | 15                 |
| Plating min: Mating (µm)       | 0.38               |
| Plating min: Termination (µin) | 50                 |
| Plating min: Termination (µm)  | 1.27               |
| Polarized to Mating Part       | Yes                |
| Polarized to PCB               | Yes                |
| Ports                          | 2                  |
| Temperature Range - Operating  | -35°C to +85°C     |
| Termination Interface: Style   | Solder or Weld     |
| Waterproof / Dustproof         | No                 |
| Wire Size AWG                  | N/A                |

**Electrical**



**EU RoHS**

**ELV and RoHS  
Compliant**  
**REACH SVHC**  
 Not Reviewed  
**Halogen-Free  
Status**  
**Not Reviewed**

**China RoHS**



**Need more information on product  
environmental compliance?**

Email [productcompliance@molex.com](mailto:productcompliance@molex.com)  
 For a multiple part number RoHS Certificate of Compliance, [click here](#)

Please visit the [Contact Us](#) section for any non-product compliance questions.

**Search Parts in this Series**

[47362Series](#)

|                               |        |
|-------------------------------|--------|
| Current - Maximum per Contact | 1.5A   |
| Voltage - Maximum             | 15V DC |

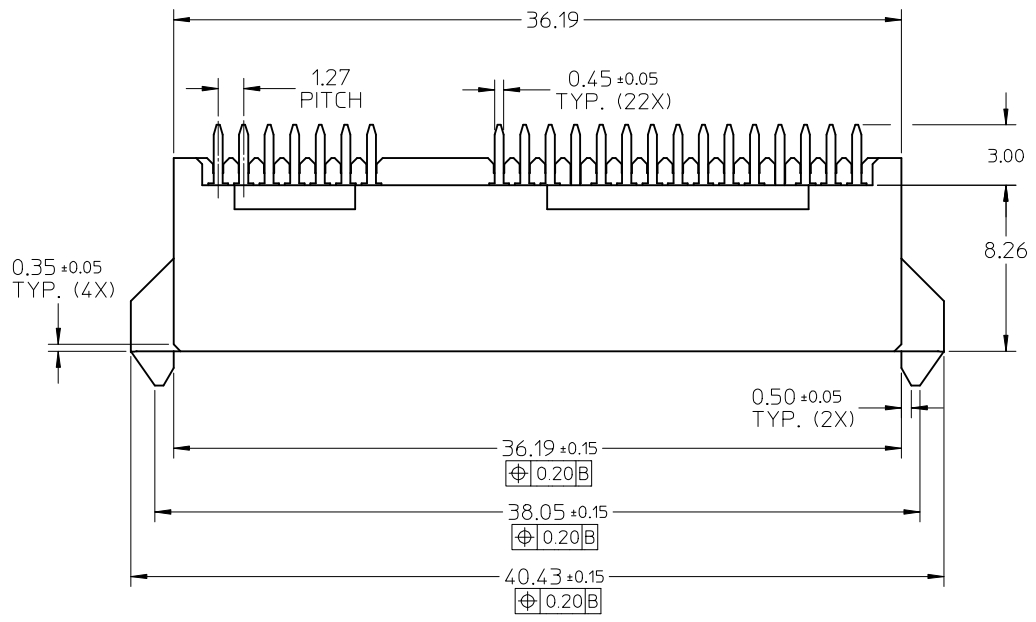
**Material Info**

**Reference - Drawing Numbers**

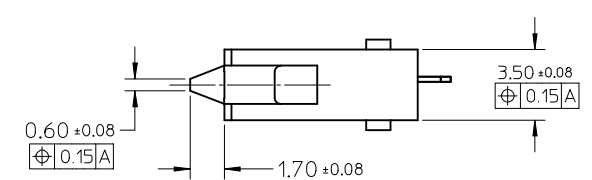
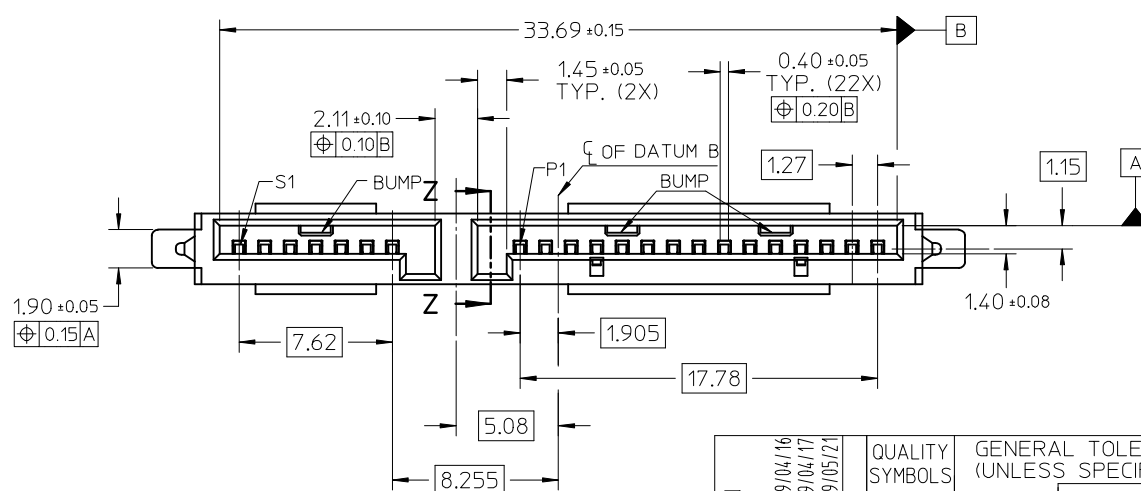
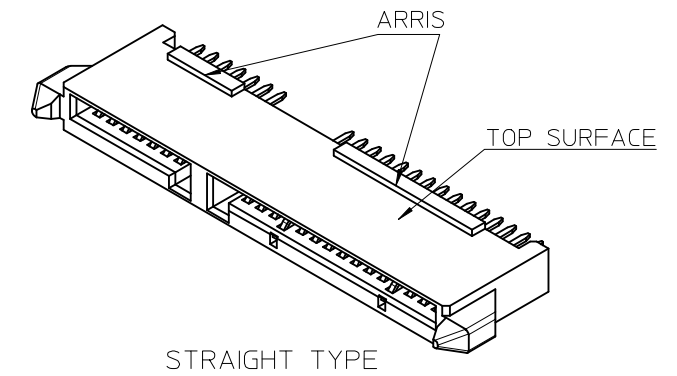
|               |              |
|---------------|--------------|
| Sales Drawing | SD-47362-100 |
|---------------|--------------|

This document was generated on 05/19/2010

**PLEASE CHECK [WWW.MOLEX.COM](http://WWW.MOLEX.COM) FOR LATEST PART INFORMATION**

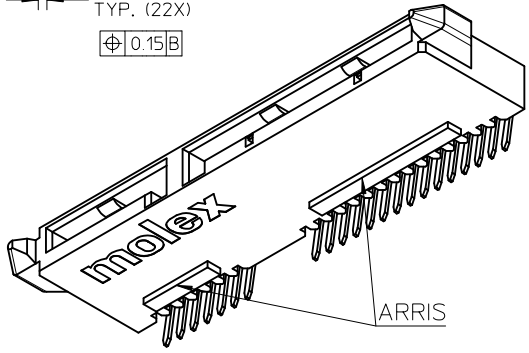
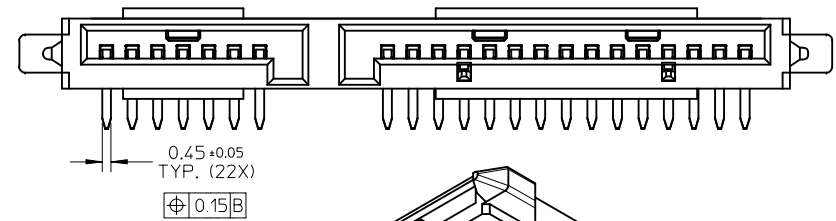
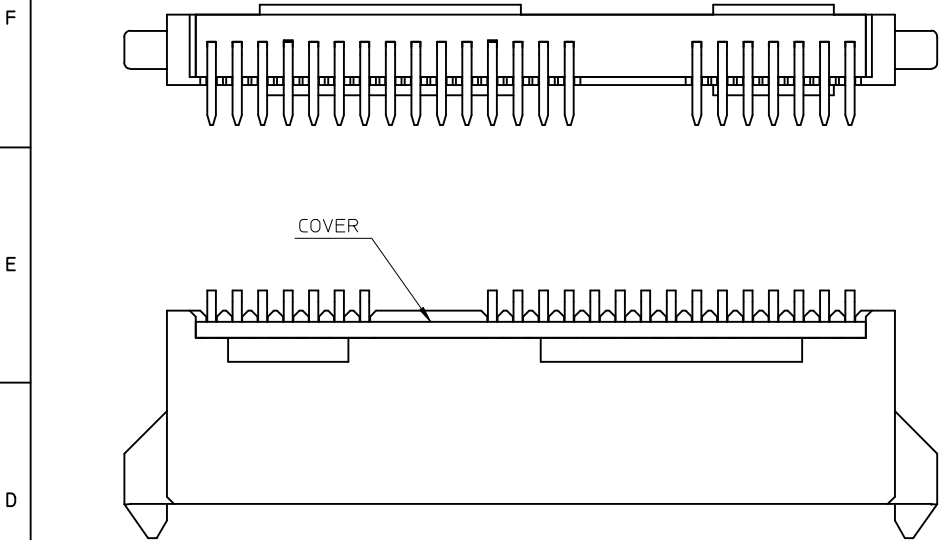


- NOTES:
- MATERIAL:
    - HOUSING: THERMAL PLASTIC, GLASS FILLED, UL94V-0, COLOR: BLACK.
    - TERMINAL: COPPER ALLOY, THICKNESS=0.25MM.
  - TERMINAL PLATING:
    - CONTACT AREA: GOLD PLATED, SEE TABLE.
    - SOLDER AREA: PURE TIN, THICKNESS=1.27 MICRONS MINIMUM.
    - UNDER PLATE: NICKLE, THICKNESS=1.27 MICRONS MINIMUM.
  - PRODUCT SPECIFICATION: REFER TO PS-47362-001.
  - PACKAGING METHOD: REFER TO PK-47362-001.
  - PRODUCT COMPLIANT TO RoHS DIRECTIVE 2002/95/EC AND ELV DIRECTIVE 2000/53/EC

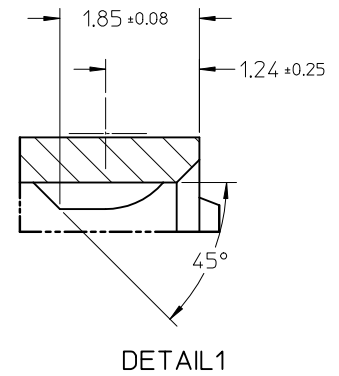
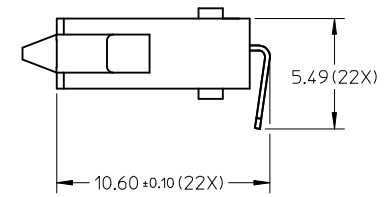
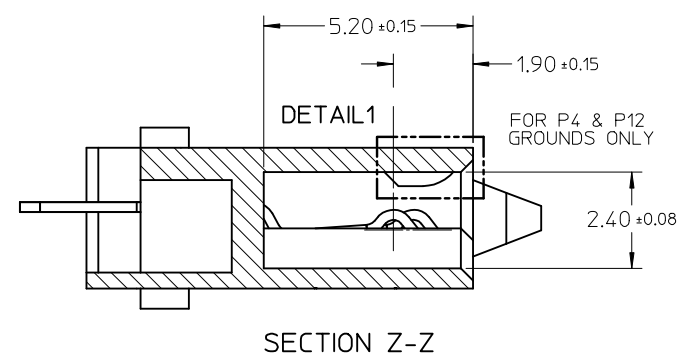


|                                                                                                                                            |                 |                                                                                                                          |                                                                                                                               |                                        |                  |                        |  |
|--------------------------------------------------------------------------------------------------------------------------------------------|-----------------|--------------------------------------------------------------------------------------------------------------------------|-------------------------------------------------------------------------------------------------------------------------------|----------------------------------------|------------------|------------------------|--|
| ADD NEW OPTION<br>EC NO: SH2009-0500<br>DRWN: XJSONG 2009/04/16<br>CHKD: XJSONG 2009/04/17<br>APPR: HWANG 2009/05/21<br>REV<br>DESCRIPTION | QUALITY SYMBOLS | GENERAL TOLERANCES (UNLESS SPECIFIED)                                                                                    | DIMENSION STYLE                                                                                                               | SCALE                                  | DESIGN UNITS     | THIRD ANGLE PROJECTION |  |
|                                                                                                                                            | ▽=0<br>▽=0      | mm INCH<br>4 PLACES ± --- ± ---<br>3 PLACES ± --- ± ---<br>2 PLACES ± 0.2 ± ---<br>1 PLACE ± 0.25 ± ---<br>ANGULAR ± 3 ° | MM ONLY                                                                                                                       | 4:1                                    | METRIC           |                        |  |
|                                                                                                                                            |                 |                                                                                                                          | DRAWN BY: BCHEN26 DATE: 2005/12/05                                                                                            | TITLE: COMBO SATA RECEPTACLE CABLE END |                  |                        |  |
|                                                                                                                                            |                 |                                                                                                                          | CHECKED BY: DIXON DATE: 2005/12/05                                                                                            | MOLEX INCORPORATED                     |                  |                        |  |
|                                                                                                                                            |                 | APPROVED BY: GRATE DATE: 2005/12/05                                                                                      | MATERIAL NO. SEE SHEET 4                                                                                                      | DOCUMENT NO. SD-47362-100              | SHEET NO. 1 OF 4 |                        |  |
|                                                                                                                                            |                 | DRAFT WHERE APPLICABLE MUST REMAIN WITHIN DIMENSIONS                                                                     | THIS DRAWING CONTAINS INFORMATION THAT IS PROPRIETARY TO MOLEX INCORPORATED AND SHOULD NOT BE USED WITHOUT WRITTEN PERMISSION |                                        |                  |                        |  |

10 9 8 7 6 5 4 3 2 1



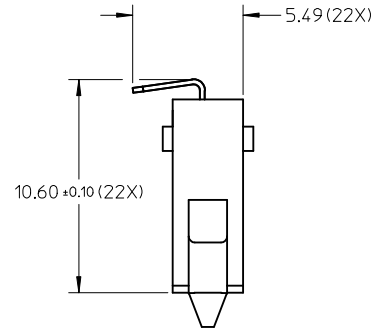
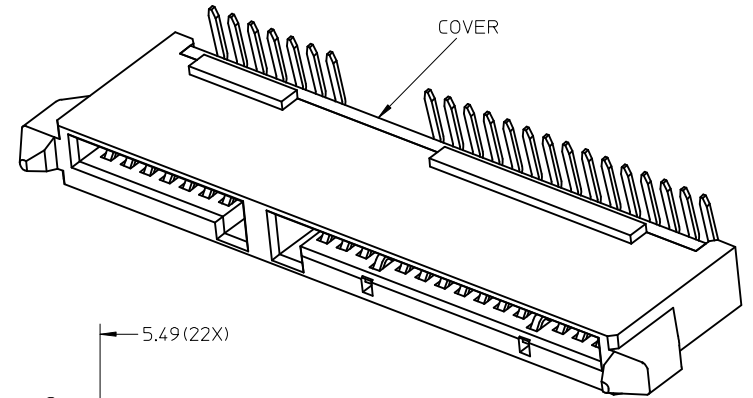
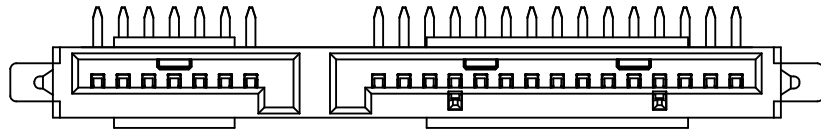
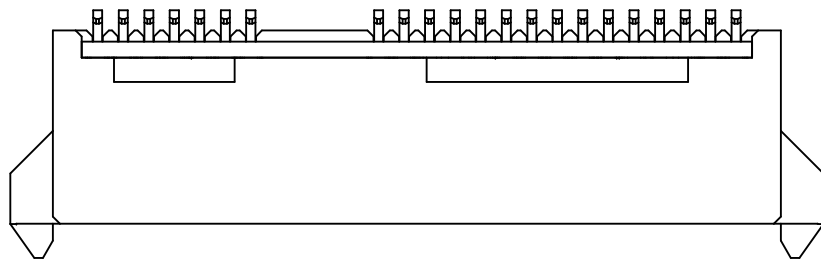
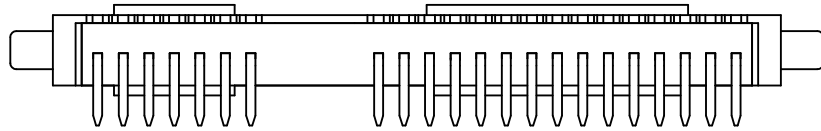
RIGHT ANGLE(90 DEGREE) TYPE  
OTHER DIMENSIONS REFER TO STRAIGHT TYPE



|                                                                                                                       |                               |                                                                                                                               |                                                                                                                                      |                                          |  |                                                 |                        |                        |
|-----------------------------------------------------------------------------------------------------------------------|-------------------------------|-------------------------------------------------------------------------------------------------------------------------------|--------------------------------------------------------------------------------------------------------------------------------------|------------------------------------------|--|-------------------------------------------------|------------------------|------------------------|
| SEE SHEET 1<br>IEC NO: SH2009-0500<br>DRWN: XJ.SONG 2009/04/16<br>CHKD: XJ.SONG 2009/04/17<br>APPR: H.WANG 2009/05/21 | QUALITY SYMBOLS<br>▽=0<br>◻=0 | GENERAL TOLERANCES (UNLESS SPECIFIED)                                                                                         |                                                                                                                                      | DIMENSION STYLE<br>MM ONLY               |  | SCALE<br>4:1                                    | DESIGN UNITS<br>METRIC | THIRD ANGLE PROJECTION |
|                                                                                                                       |                               | 4 PLACES ± --- ± ---<br>3 PLACES ± --- ± ---<br>2 PLACES ± 0.2 ± ---<br>1 PLACE ± 0.25 ± ---<br>ANGULAR ± 3 °                 | mm INCH<br>DRAWN BY BCHEN26 DATE 2005/12/05<br>CHECKED BY DIXON DATE 2005/12/05<br>APPROVED BY GRATE DATE 2005/12/05<br>MATERIAL NO. | TITLE<br>COMBO SATA RECEPTACLE CABLE END |  | MOLEX INCORPORATED<br>DOCUMENT NO. SD-47362-100 |                        | SHEET NO.<br>2 OF 4    |
| DRAFT WHERE APPLICABLE MUST REMAIN WITHIN DIMENSIONS                                                                  | SEE SHEET 4                   | THIS DRAWING CONTAINS INFORMATION THAT IS PROPRIETARY TO MOLEX INCORPORATED AND SHOULD NOT BE USED WITHOUT WRITTEN PERMISSION |                                                                                                                                      |                                          |  |                                                 |                        |                        |

9 8 7 6 5 4 3 2 1

10 9 8 7 6 5 4 3 2 1



RIGHT ANGLE(270 DEGREE) TYPE  
OTHER DIMENSIONS REFER TO RIGHT ANGLE(90 DEGREE) TYPE

|                                                                                                                      |                                   |                                       |       |                             |                      |                                                                                                                               |                                          |                        |  |
|----------------------------------------------------------------------------------------------------------------------|-----------------------------------|---------------------------------------|-------|-----------------------------|----------------------|-------------------------------------------------------------------------------------------------------------------------------|------------------------------------------|------------------------|--|
| SEE SHEET 1<br>EC NO: SH2009-0500<br>DRWN: XJ SONG 2009/04/16<br>CHKD: XJ SONG 2009/04/17<br>APPR: H WANG 2009/05/21 | QUALITY SYMBOLS<br>▽ = 0<br>▽ = 0 | GENERAL TOLERANCES (UNLESS SPECIFIED) |       | DIMENSION STYLE<br>MM ONLY  |                      | SCALE<br>4:1                                                                                                                  | DESIGN UNITS<br>METRIC                   | THIRD ANGLE PROJECTION |  |
|                                                                                                                      |                                   |                                       | mm    | INCH                        | DRAWN BY<br>BCHEN26  | DATE<br>2005/12/05                                                                                                            | TITLE<br>COMBO SATA RECEPTACLE CABLE END |                        |  |
|                                                                                                                      |                                   | 4 PLACES                              | ± --- | ± ---                       | CHECKED BY<br>DIXON  | DATE<br>2005/12/05                                                                                                            | MOLEX INCORPORATED                       |                        |  |
|                                                                                                                      |                                   | 3 PLACES                              | ± --- | ± ---                       | APPROVED BY<br>GRATE | DATE<br>2005/12/05                                                                                                            | DOCUMENT NO.<br>SD-47362-100             | SHEET NO.<br>3 OF 4    |  |
|                                                                                                                      | 2 PLACES                          | ± 0.2                                 | ± --- | MATERIAL NO.<br>SEE SHEET 4 |                      | THIS DRAWING CONTAINS INFORMATION THAT IS PROPRIETARY TO MOLEX INCORPORATED AND SHOULD NOT BE USED WITHOUT WRITTEN PERMISSION |                                          |                        |  |
|                                                                                                                      | 1 PLACE                           | ± 0.25                                | ± --- | ANGULAR ± 3 °               |                      |                                                                                                                               |                                          |                        |  |
| DRAFT WHERE APPLICABLE MUST REMAIN WITHIN DIMENSIONS                                                                 |                                   |                                       |       |                             |                      |                                                                                                                               |                                          |                        |  |

9 8 7 6 5 4 3 2 1

| 10         | 9                             | 8                                           | 7                               | 6                             | 5                             | 4                            | 3                                | 2 | 1 |
|------------|-------------------------------|---------------------------------------------|---------------------------------|-------------------------------|-------------------------------|------------------------------|----------------------------------|---|---|
| P/N        | PLATE TYPE                    | REMARK                                      | STRAIGHT OR R/A                 | P/N                           | PLATE TYPE                    | REMARK                       | STRAIGHT OR R/A                  |   |   |
| 47362-1000 | GOLD FLASH                    |                                             |                                 | 47362-3000                    | GOLD FLASH                    |                              |                                  |   |   |
| 47362-1001 | GOLD PLATED 0.76 MICRONS MIN. | WITH ARRIS ON BOTH SURFACE                  | STRAIGHT TYPE                   | 47362-3001                    | GOLD PLATED 0.76 MICRONS MIN. | WITH ARRIS ON BOTH SURFACE   | RIGHT ANGLE TYPE<br>(270 DEGREE) |   |   |
| 47362-1002 | GOLD PLATED 0.38 MICRONS MIN. | WITH BUMPS                                  |                                 | 47362-3002                    | GOLD PLATED 0.38 MICRONS MIN. | WITH BUMPS,WITH COVER        |                                  |   |   |
| 47362-1010 | GOLD FLASH                    |                                             |                                 | 47362-3010                    | GOLD FLASH                    |                              |                                  |   |   |
| 47362-1011 | GOLD PLATED 0.76 MICRONS MIN. | WITH ARRIS ON TOP SURFACE                   |                                 | 47362-3011                    | GOLD PLATED 0.76 MICRONS MIN. | WITH ARRIS ON TOP SURFACE    |                                  |   |   |
| 47362-1012 | GOLD PLATED 0.38 MICRONS MIN. | WITH BUMPS                                  |                                 | 47362-3012                    | GOLD PLATED 0.38 MICRONS MIN. | WITH BUMPS,WITH COVER        |                                  |   |   |
| 47362-1020 | GOLD FLASH                    |                                             |                                 | 47362-3020                    | GOLD FLASH                    |                              |                                  |   |   |
| 47362-1021 | GOLD PLATED 0.76 MICRONS MIN. | WITH ARRIS ON BOTTOM SURFACE                |                                 | 47362-3021                    | GOLD PLATED 0.76 MICRONS MIN. | WITH ARRIS ON BOTTOM SURFACE |                                  |   |   |
| 47362-1022 | GOLD PLATED 0.38 MICRONS MIN. | WITH BUMPS                                  |                                 | 47362-3022                    | GOLD PLATED 0.38 MICRONS MIN. | WITH BUMPS,WITH COVER        |                                  |   |   |
| 47362-1030 | GOLD FLASH                    |                                             |                                 | 47362-3030                    | GOLD FLASH                    |                              |                                  |   |   |
| 47362-1031 | GOLD PLATED 0.76 MICRONS MIN. | WITHOUT ARRIS                               |                                 | 47362-3031                    | GOLD PLATED 0.76 MICRONS MIN. | WITHOUT ARRIS                |                                  |   |   |
| 47362-1032 | GOLD PLATED 0.38 MICRONS MIN. | WITH BUMPS                                  | 47362-3032                      | GOLD PLATED 0.38 MICRONS MIN. | WITH BUMPS,WITH COVER         |                              |                                  |   |   |
| 47362-2000 | GOLD FLASH                    |                                             | RIGHT ANGLE TYPE<br>(90 DEGREE) |                               |                               |                              |                                  |   |   |
| 47362-2001 | GOLD PLATED 0.76 MICRONS MIN. | WITH ARRIS ON BOTH SURFACE                  |                                 |                               |                               |                              |                                  |   |   |
| 47362-2002 | GOLD PLATED 0.38 MICRONS MIN. | WITH BUMPS,WITH COVER                       |                                 |                               |                               |                              |                                  |   |   |
| 47362-2010 | GOLD FLASH                    |                                             |                                 |                               |                               |                              |                                  |   |   |
| 47362-2011 | GOLD PLATED 0.76 MICRONS MIN. | WITH ARRIS ON TOP SURFACE                   |                                 |                               |                               |                              |                                  |   |   |
| 47362-2012 | GOLD PLATED 0.38 MICRONS MIN. | WITH BUMPS,WITH COVER                       |                                 |                               |                               |                              |                                  |   |   |
| 47362-2020 | GOLD FLASH                    |                                             |                                 |                               |                               |                              |                                  |   |   |
| 47362-2021 | GOLD PLATED 0.76 MICRONS MIN. | WITH ARRIS ON BOTTOM SURFACE                |                                 |                               |                               |                              |                                  |   |   |
| 47362-2022 | GOLD PLATED 0.38 MICRONS MIN. | WITH BUMPS,WITH COVER                       |                                 |                               |                               |                              |                                  |   |   |
| 47362-2030 | GOLD FLASH                    |                                             |                                 |                               |                               |                              |                                  |   |   |
| 47362-2031 | GOLD PLATED 0.76 MICRONS MIN. | WITHOUT ARRIS                               |                                 |                               |                               |                              |                                  |   |   |
| 47362-2032 | GOLD PLATED 0.38 MICRONS MIN. | WITH BUMPS,WITH COVER                       |                                 |                               |                               |                              |                                  |   |   |
| 47362-1003 | GOLD PLATED 0.38 MICRONS MIN. | WITH ARRIS ON BOTH SURFACE<br>WITHOUT BUMPS | STRAIGHT TYPE                   |                               |                               |                              |                                  |   |   |
| 47362-1082 | GOLD PLATED 0.38 MICRONS MIN. | WITH ARRIS ON BOTH SURFACE<br>WITH BUMPS    | STRAIGHT TYPE                   |                               |                               |                              |                                  |   |   |

|  |  |  |  |  |  |  |  |  |  |
|--|--|--|--|--|--|--|--|--|--|
|  |  |  |  |  |  |  |  |  |  |
|--|--|--|--|--|--|--|--|--|--|

|                                                                                    |                                        |                    |                                                                                                                               |                                                                                                                            |                                    |                              |                     |                                                                                                                                      |                                             |
|------------------------------------------------------------------------------------|----------------------------------------|--------------------|-------------------------------------------------------------------------------------------------------------------------------|----------------------------------------------------------------------------------------------------------------------------|------------------------------------|------------------------------|---------------------|--------------------------------------------------------------------------------------------------------------------------------------|---------------------------------------------|
| SEE SHEET1<br>EC NO: SH2009-0500<br>DRWN: X JSONG<br>CHKD: X JSONG<br>APPR: H WANG | 2009/04/16<br>2009/04/17<br>2009/05/21 | DESCRIPTION<br>REV | QUALITY SYMBOLS                                                                                                               | GENERAL TOLERANCES (UNLESS SPECIFIED)                                                                                      | DIMENSION STYLE                    | SCALE                        | DESIGN UNITS        | THIRD ANGLE PROJECTION                                                                                                               |                                             |
|                                                                                    |                                        |                    | $\nabla=0$<br>$\sphericalangle=0$                                                                                             | mm    INCH<br>4 PLACES ± --- ± ---<br>3 PLACES ± --- ± ---<br>2 PLACES ± 0.2 ± ---<br>1 PLACE ± 0.25 ± ---<br>ANGULAR ± 3° | MM ONLY                            | 4:1                          | METRIC              | DRAWN BY    DATE<br>BCHEN26    2005/12/05<br>CHECKED BY    DATE<br>DIXON    2005/12/05<br>APPROVED BY    DATE<br>GRATE    2005/12/05 | TITLE<br>COMBO SATA RECEPTACLE<br>CABLE END |
|                                                                                    |                                        |                    | DRAFT WHERE APPLICABLE<br>MUST REMAIN<br>WITHIN DIMENSIONS                                                                    | SEE TABLE                                                                                                                  | MATERIAL NO.<br>MOLEX INCORPORATED | DOCUMENT NO.<br>SD-47362-100 | SHEET NO.<br>4 OF 4 |                                                                                                                                      |                                             |
|                                                                                    |                                        |                    | THIS DRAWING CONTAINS INFORMATION THAT IS PROPRIETARY TO MOLEX INCORPORATED AND SHOULD NOT BE USED WITHOUT WRITTEN PERMISSION |                                                                                                                            |                                    |                              |                     |                                                                                                                                      |                                             |